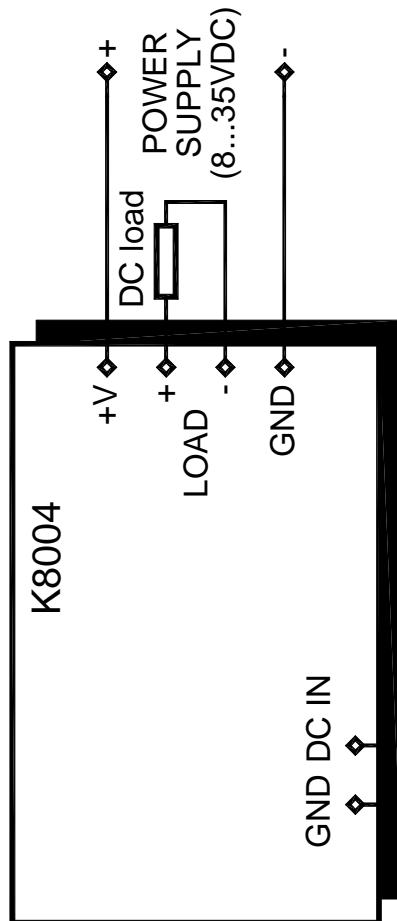
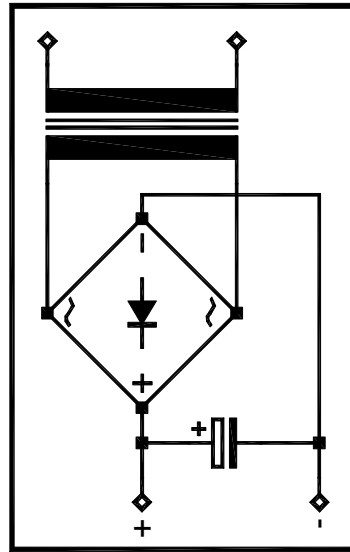


Standard configuration, using a separate control voltage for the DC to pulse width modulator

K8004



DC CONTROL VOLTAGE (max. 35V)

