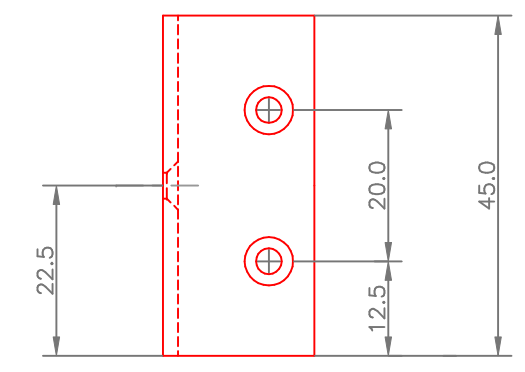
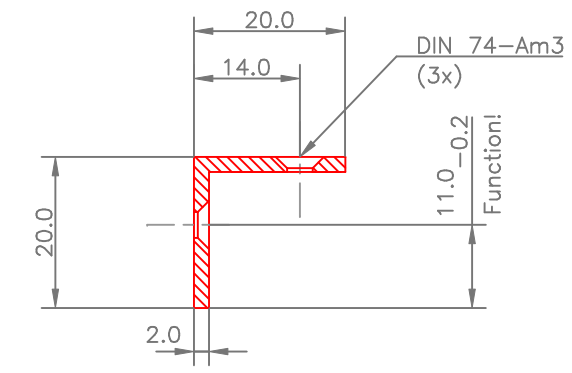


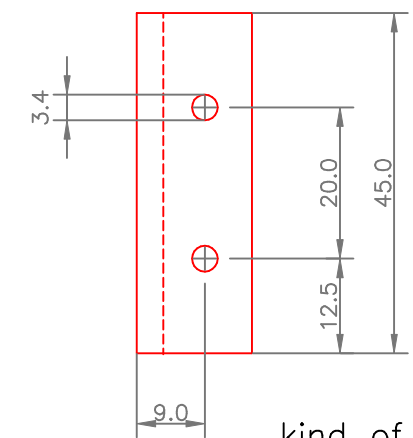
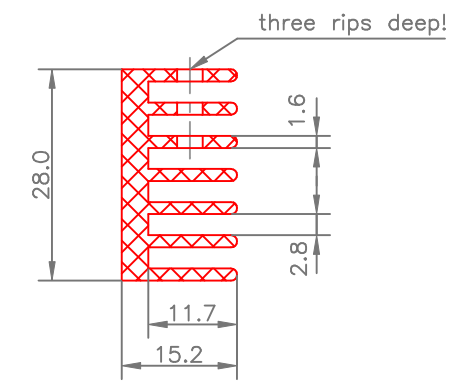
please note:  
no extrusion angle shown in top view

partlist pos. 17

housing  
material - polycarbonat  
type of polycarbonat is LEXAN PC Resin 241/R-111 from GE  
extrusion angle = 1 deg (0 deg)  
surface = no certain specification, must be able to add an imprint



partlist pos. 15  
heatsink-1  
extruded aluminium L - profile  
kind of aluminium = no certain specification



partlist pos. 16  
heatsink  
extruded aluminium heatsink  
length = 45mm with two holes  
like shown in drawing  
kind of aluminium = no certain specification

tolerances +/- 0,1mm unless otherwise specified

31.JAN.2007	gaps for the wires mirrored(1)	date	name	singular parts pos. 15, 16, 17
01.FEB.2007	drawing renamed to P 482 A	17.OCT.06	Marschner	
<b>Conrad</b> ELECTRONIC UND TECHNIK				P 482 A (I 251) Dimmer&Drehzahlregler 1200VA
				sheet 2 of 2