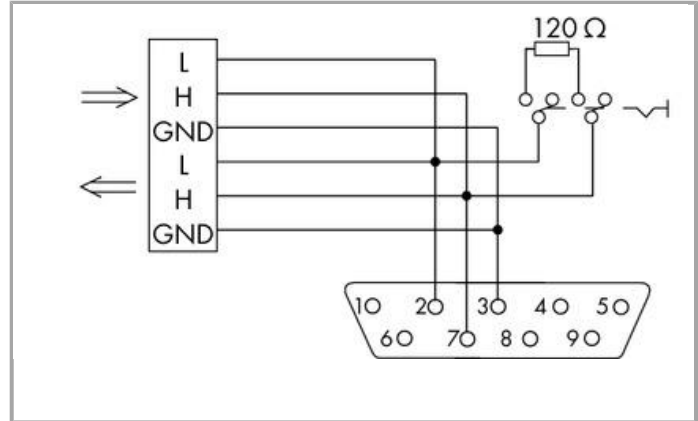
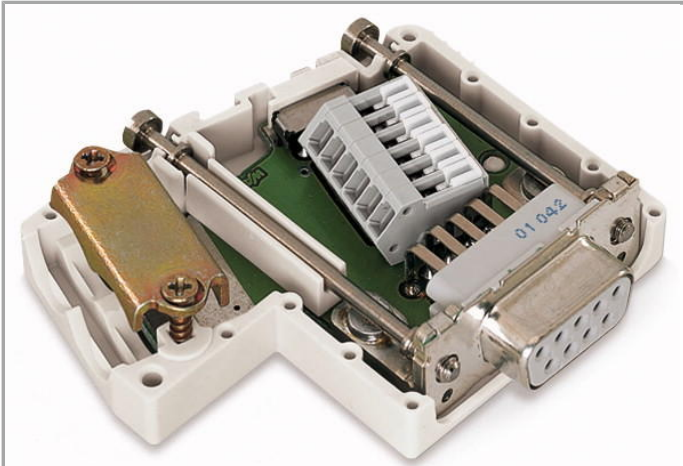


Data sheet | Item number: 750-963

Fieldbus Connector CANopen; with D-sub female connector; 9-pole

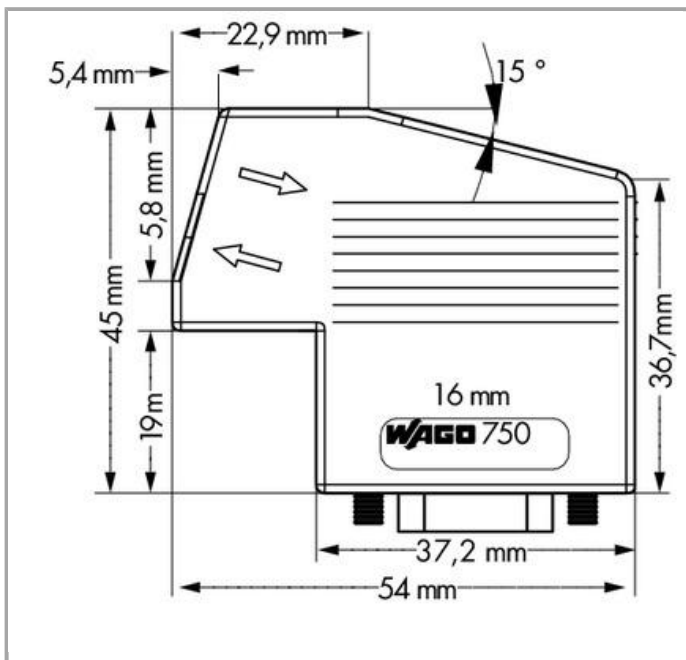
www.wago.com/750-963



RoHS Compliant

[BOMcheck.net](https://www.bomcheck.net)

Color:



Item description

The fieldbus connector links a CANopen device to a CANopen line.

The fieldbus connector has the following features:

- 2 horizontal cable entries. One input and one output.
- Fast and maintenance-free CAGE CLAMP[®] connection, can be held in the open position with the help of an actuation slide mechanism.
- Externally operable switch to activate and/or deactivate the network terminating resistor.

For the first and last station on the bus, the switch must be set to "ON" (terminating resistor activated). Switch setting to "OFF" for the intermediate stations on the bus (terminating resistor deactivated).

Data

Technical Data

Connection type	Buchse D-Sub 9
No. of poles	9
Communication/Fieldbus	CANopen
Baud rate	10kBd ... 1MBd (entsprechend CANopen-Spezifikation)

Connection data

Connection type (1)	CAGE CLAMP [®] -Klemmleiste mit Betätigungsschieber (Serie 218)
Solid conductor	0.08 ... 0.5 mm ² / 28 ... 20 AWG
Strip length	5 ... 6 mm / 0.2 ... 0.24 Inch

Geometrical Data

Width	45 mm / 1.772 inch
Height	16 mm / 0.63 inch
Depth	54 mm / 2.126 inch

Mechanical data

Connectable sheathed cable diameter	4.5 ... 9.5 mm
Leitungseinführungen, Anzahl	2
Housing material	PA66-105-V2
Weight	27.6 g
Color	light gray

Environmental Requirements

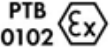

Surrounding air (operating) temperature	0 ... 60 °C
Surrounding air (storage) temperature	-25 ... 85 °C
Degree of protection	IP20
Relative air humidity (no condensation)	95 %
Vibration resistance	4g per IEC 60068-2-6
Fire load	0.95 MJ

Commercial data







Country of origin	DE
GTIN	4045454344405
Customs Tariff No.	85366990990
Product Group	15 (Remote I/O)

Approvals / Certificates

Ex-Approvals

Logo	Approval	Certificate name
	ATEX TUEV Nord Cert GmbH	TÜV 07 ATEX 554086 X en.
	TUEV Nord TUEV Nord Cert GmbH	IECEX TUN 09.0001 X


Ship Approvals

Logo	Approval	Certificate name
	BV Bureau Veritas S.A.	30389/A1 BV
	BV Bureau Veritas S.A.	30389/B0 BV
	DNV GL Det Norske Veritas, Germanischer Lloyd	TAA0000194
	DNV GL Det Norske Veritas, Germanischer Lloyd	TAA0000194
	DNV DNV Germany GmbH	A-14093
	GL Germanischer Lloyd	26 898 - 05 HH
	LR Lloyds Register	02/20026 (E5)



	NK Nippon Kaiji Kyokai	TA17255M
	PRS Polski Rejestr Statkow	TE/1989/880590/13
	RINA RINA Germany GmbH	ELE134212XG

UL-Approvals

Logo	Approval	Certificate name
	UL UL International Netherlands B.V. (ORDINARY LOCATIONS)	E175199 Sec.1 (ORDINARY LOCATIONS)

Downloads

Documentation

Bid Text

750-963 IO, Feldbusstecker	Jan 21, 2016	DOC 25.1 kB	Download
-------------------------------	--------------	----------------	----------

Additional Information

Disposal; Electrical and electronic equipment, Packaging	Oct 15, 2018	265.8 kB	Download
--	--------------	----------	----------

System Description

Overview on WAGO-I/O-SYSTEM 750 approvals	Jun 6, 2017	314.9 kB	Download
---	-------------	----------	----------

smartDATA

CAD data

3D Download 750-963	URL	Download
---------------------	-----	----------



Subject to changes.

WAGO Kontakttechnik GmbH & Co. KG
Hansastr. 27
32423 Minden
Phone: +49571 887-0 | Fax: +49571 887-169
Email: info.de@wago.com | Web: www.wago.com

Do you have any questions about our products?
We are always happy to take your call at +49 (571) 887-44222.