

FO PCB terminal block - FOPT 2,2-T - 1907911

Please be informed that the data shown in this PDF Document is generated from our Online Catalog. Please find the complete data in the user's documentation. Our General Terms of Use for Downloads are valid (<http://download.phoenixcontact.com>)



PCB terminal block, Pitch: 10.16 mm, Number of positions: 1, Connection method: Spring-cage conn., Mounting: Soldering, Conductor/PCB connection direction: 0 °, Color: green, Green housing with transmit diode/ optic fibers can be connected: Polymer fiber (in acc. with IEC 60793-2 type A4a, diameter outer sheath 2.2 mm) / data rate: 125 Mbps / transmission distance max. 50 m / detailed data sheet available on request

Product Features

- Connection without fiber pretreatment, easy cutting using IBS RL FOC fiber cutter
- Bend protection sleeve supplied as standard
- Stability thanks to additional strain relief
- More user friendly thanks to direct plug-in technology with release button
- Integrated transmit and receive diode

Key commercial data

package_quantity	10
GTIN	4017918606237

Technical data

Dimensions

Pitch	10.16 mm
--------------	----------

General

Range of articles	FOPT
Connection in acc. with standard	EN-VDE
Nominal cross section	0 mm ²
Solder pin surface	Sn
Inflammability class according to UL 94	HB
Number of positions	1

classifications

eCl@ss

eCl@ss 4.0	272607xx
eCl@ss 4.1	27260701
eCl@ss 5.0	27260701
eCl@ss 5.1	27260701
eCl@ss 6.0	27260704
eCl@ss 7.0	27440402

FO PCB terminal block - FOPT 2,2-T - 1907911

classifications

eCl@ss

eCl@ss 8.0	27440402
------------	----------

ETIM

ETIM 3.0	EC001121
ETIM 4.0	EC002637
ETIM 5.0	EC002643

UNSPSC

UNSPSC 6.01	30211832
UNSPSC 7.0901	39121429
UNSPSC 11	39121429
UNSPSC 12.01	39121429
UNSPSC 13.2	39121429

approvals

GOST / GOST /

Approval details



accessories

Screwdriver tools

SZF 0-0,4X2,5 - 1204504



Assembly tool

FO PCB terminal block - FOPT 2,2-T - 1907911

accessories

IBS RL FOC - 2725147



Data cable by the meter

PSM-LWL-KDL-980/1000 - 2799283



PSM-LWL-KDHEAVY-980/1000 - 2744319



PSM-LWL-RUGGED-980/1000 - 2744322



PSM-LWL-RUGGED-FLEX-980/1000 - 2744335



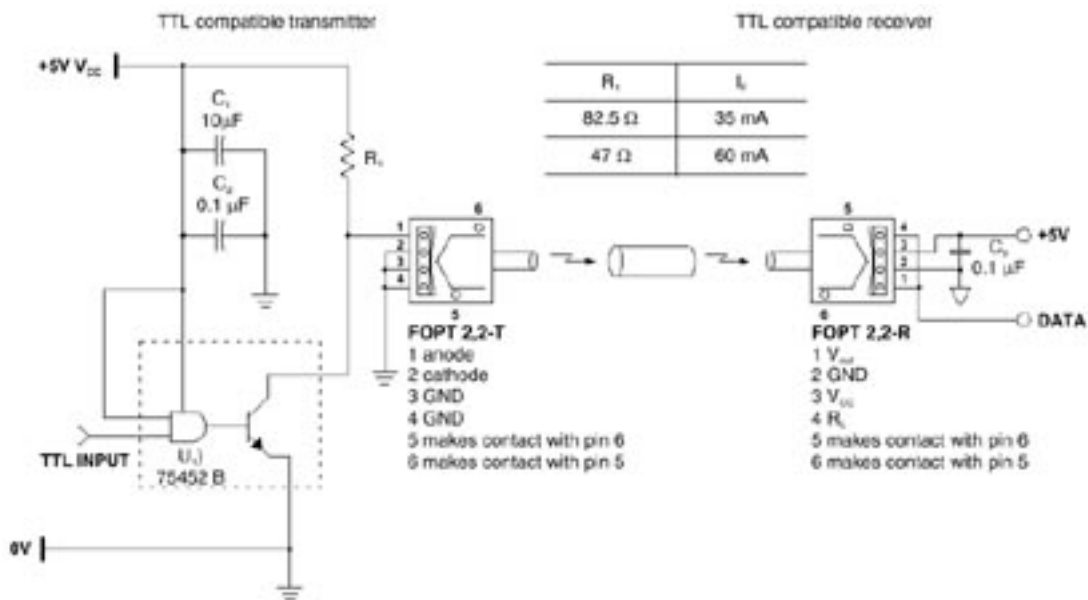
FO PCB terminal block - FOPT 2,2-T - 1907911

accessories

KST-POF - 1933011

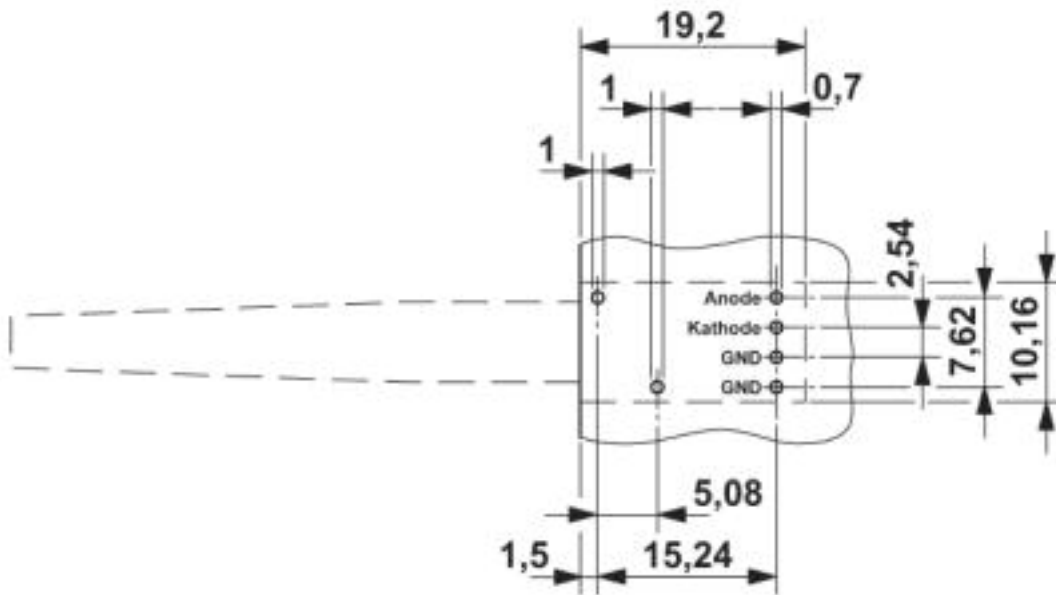
Drawings

Block diagram

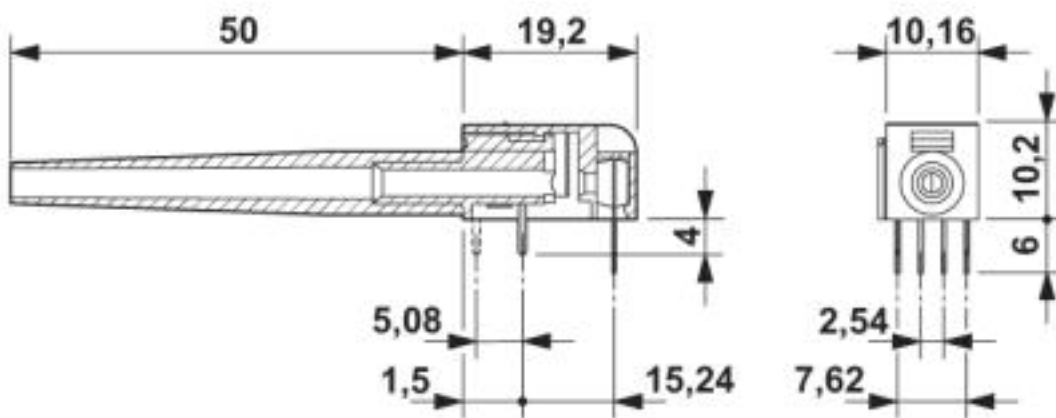


FO PCB terminal block - FOPT 2,2-T - 1907911

Drilling diagram

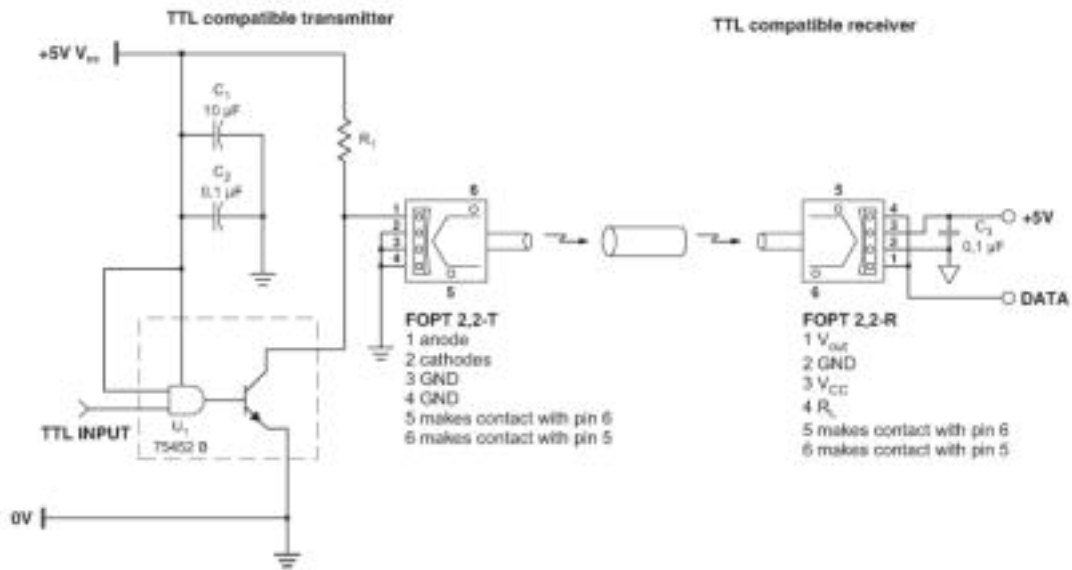


Dimensioned drawing



FO PCB terminal block - FOPT 2,2-T - 1907911

Circuit diagram



© Phoenix Contact 2013 - all rights reserved
<http://www.phoenixcontact.com>