

Distributed I/O device - FLM AO 4 SF M12 - 2736466

Please be informed that the data shown in this PDF Document is generated from our Online Catalog. Please find the complete data in the user's documentation. Our General Terms of Use for Downloads are valid (<http://download.phoenixcontact.com>)



The local bus device has 4 analog outputs. Functions: 2 current and 4 voltage output ranges, 500 kbaud/2 Mbaud selection, PCP or process data communication, channel-specific diagnostics, short-circuit/overload protection, M12 fast connection technology.

Product Features

- Flexible power supply concept
- SPEEDCON rapid interlock system
- Diagnostic and status indicators
- Short-circuit and overload protection
- Consistent connection via M12 connectors

Key commercial data

package_quantity	1
GTIN	4017918974251

Technical data

Note:

Utilization restriction	EMC: class A product, see manufacturer's declaration in the download area
--------------------------------	---

Dimensions

Width	70 mm
Height	178 mm
Depth	50 mm
Drill hole spacing	168 mm

Ambient conditions

Ambient temperature (operation)	-25 °C ... 60 °C
Ambient temperature (storage/transport)	-25 °C ... 85 °C
Permissible humidity (operation)	95 %
Permissible humidity (storage/transport)	95 %
Air pressure (operation)	80 Pa ... 106 kPa (up to 2000 m above sea level)
Air pressure (storage/transport)	70 kPa ... 106 kPa (up to 3000 m above sea level)
Degree of protection	IP65/67

General

Weight	280 g
Mounting type	Wall mounting

Distributed I/O device - FLM AO 4 SF M12 - 2736466

Technical data

General

Protection class	III, IEC 61140, EN 61140, VDE 0140-1
Test section	To I/O 500 V AC

Interfaces

Name	Fieldline local bus
Connection method	M12 connector, B-coded
Transmission speed	500 kBit/s / 2MBit/s (can be switched)

Power supply for module electronics

Supply voltage	24 V DC
Supply voltage range	18 V DC ... 30 V DC (including ripple)

Fieldline potentials

Voltage supply U_L	24 V DC (including ripple)
Power supply at U_L	max. 4 A
Current consumption from U_L	max. 100 mA (At 2 Mbaud)
Current consumption from U_L	typ. 70 mA
Voltage supply U_s	24 V DC
Power supply at U_s	max. 4 A
Current consumption from U_s	typ. 5 mA (plus power supply for sensors)
Current consumption from U_s	max. 400 mA

Analog outputs

Number of outputs	4
Connection method	M12 connector
Connection method	2, 4-conductor
Output name	Analog outputs
Type of protection	Short-circuit protection
Current output signal	0 mA ... 20 mA
Current output signal	4 mA ... 20 mA
Voltage output signal	0 V ... 5 V
Voltage output signal	-5 V ... 5 V
Voltage output signal	0 V ... 10 V
Voltage output signal	-10 V ... 10 V

classifications

eCl@ss

eCl@ss 4.0	27250303
eCl@ss 4.1	27250303
eCl@ss 5.0	27250303
eCl@ss 5.1	27250303
eCl@ss 6.0	27242601

Distributed I/O device - FLM AO 4 SF M12 - 2736466

classifications

eCl@ss

eCl@ss 7.0	27242601
eCl@ss 8.0	27242601

ETIM

ETIM 2.0	EC001431
ETIM 3.0	EC001596
ETIM 4.0	EC001596
ETIM 5.0	EC001596

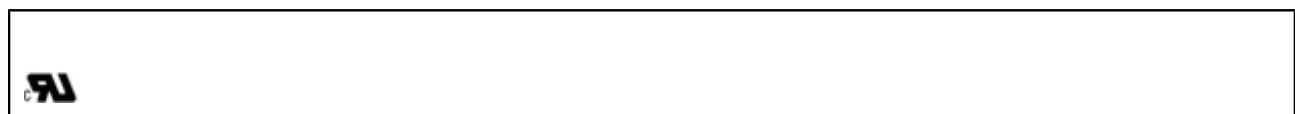
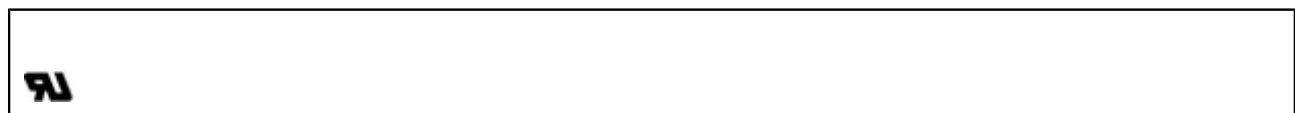
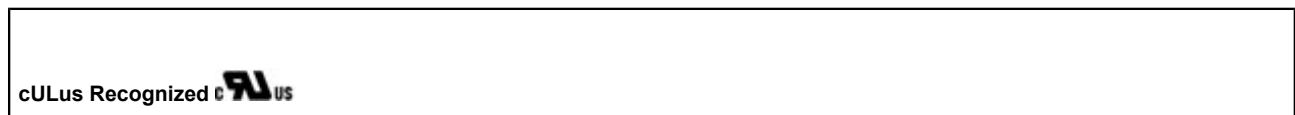
UNSPSC

UNSPSC 6.01	43172015
UNSPSC 7.0901	43201404
UNSPSC 11	43172015
UNSPSC 12.01	43201404
UNSPSC 13.2	43201404

approvals

UL Recognized / cUL Recognized / cULus Recognized / UL Recognized / cUL Recognized / cULus Recognized /

Approval details



Distributed I/O device - FLM AO 4 SF M12 - 2736466

approvals



accessories

Terminal marking

ZBF 12:UNBEDRUCKT - 0809735



Data cable preassembled

SAC-5P-M12MSB/ 2,0-900 - 1507065



SAC-5P-M12MSB/ 5,0-900 - 1507078



SAC-5P-M12MSB/10,0-900 - 1507081



Distributed I/O device - FLM AO 4 SF M12 - 2736466

accessories

SAC-5P-M12MSB/15,0-900 - 1507094



SAC-5P- 2,0-900/M12FSB - 1507117



SAC-5P- 5,0-900/M12FSB - 1507120



SAC-5P-10,0-900/M12FSB - 1507133



SAC-5P-15,0-900/M12FSB - 1507146



SAC-5P-M12MSB/ 0,3-900/M12FSB - 1507162



Distributed I/O device - FLM AO 4 SF M12 - 2736466

accessories

SAC-5P-M12MSB/ 0,5-900/M12FSB - 1507175



SAC-5P-M12MSB/ 1,0-900/M12FSB - 1507188



SAC-5P-M12MSB/ 2,0-900/M12FSB - 1507191



SAC-5P-M12MSB/ 5,0-900/M12FSB - 1507201



SAC-5P-M12MSB/10,0-900/M12FSB - 1507214



Distributed I/O device - FLM AO 4 SF M12 - 2736466

accessories

SAC-5P-M12MSB/15,0-900/M12FSB - 1507227



Sensor/actuator cable

SAC-5P-MS/ 2,0-186 SCO - 1518326



SAC-5P-MS/ 5,0-186 SCO - 1518339



SAC-5P-MS/10,0-186 SCO - 1518342



SAC-5P-MS/15,0-186 SCO - 1518355



Distributed I/O device - FLM AO 4 SF M12 - 2736466

accessories

SAC-5P- 2,0-186/FS SCO - 1518368



SAC-5P- 5,0-186/FS SCO - 1518371



SAC-5P-10,0-186/FS SCO - 1518384



SAC-5P-15,0-186/FS SCO - 1518397



SAC-5P-MS/ 0,3-186/FS SCO - 1518407



SAC-5P-MS/ 0,5-186/FS SCO - 1518410



Distributed I/O device - FLM AO 4 SF M12 - 2736466

accessories

SAC-5P-MS/ 1,0-186/FS SCO - 1518423



SAC-5P-MS/ 2,0-186/FS SCO - 1518436



SAC-5P-MS/ 5,0-186/FS SCO - 1518449



SAC-5P-MS/10,0-186/FS SCO - 1518452



SAC-5P-MS/15,0-186/FS SCO - 1518465



Distributed I/O device - FLM AO 4 SF M12 - 2736466

accessories

SAC-5P-MS/ 0,13-186/FS SCO - 1518481



SAC-5P-MSB/0,13-PUR/FSB SCO SH - 1518478



Circular connector (cable-side)

SACC-M12MSB-5CON-PG9 SH AU - 1507764



SACC-M12FSB-5CON-PG9 SH AU - 1507777



SACC-M12MSB-5SC SH - 1513570



Distributed I/O device - FLM AO 4 SF M12 - 2736466

accessories

SACC-M12FSB-5SC SH - 1513596



SACC-M12MRB-5SC SH - 1513583



SACC-M12FRB-5SC SH - 1513606



SACC-M12MS-5SC M - 1508187



SACC-M12FS-5SC M - 1508200



Device parameterization

Distributed I/O device - FLM AO 4 SF M12 - 2736466

accessories

AX+ BASIC - 2985068



AX DTM LIB - 2988065



accessories

PROT-M12-M - 2736194



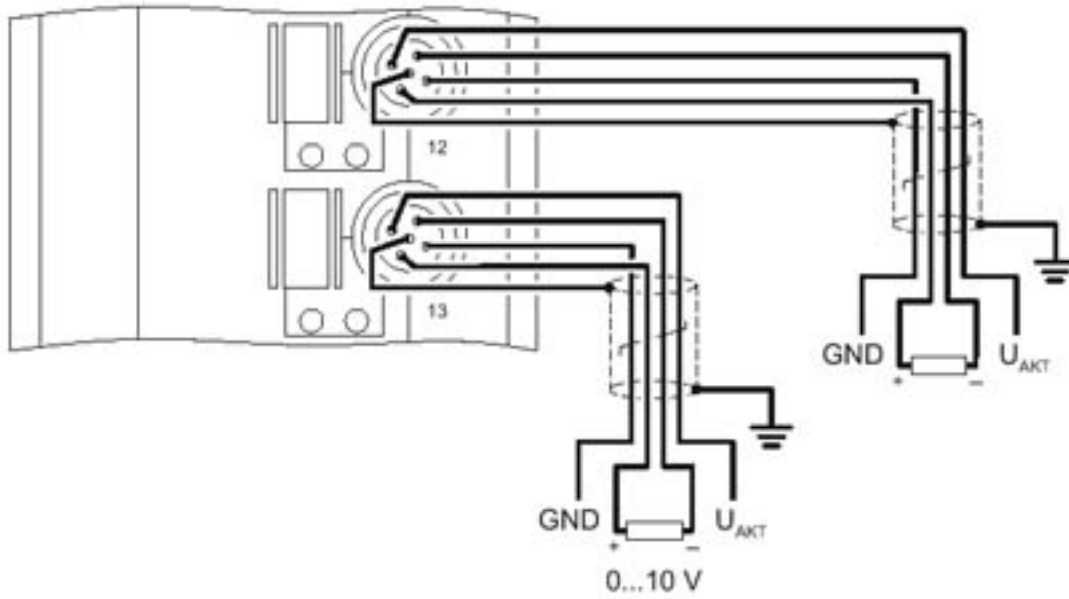
ZBF 12:SO/CMS - 0810038



Drawings

Distributed I/O device - FLM AO 4 SF M12 - 2736466

Connection diagram



Dimensioned drawing

