

Modem - PSI-MODEM-SHDSL/SERIAL - 2313669

Please be informed that the data shown in this PDF Document is generated from our Online Catalog. Please find the complete data in the user's documentation. Our General Terms of Use for Downloads are valid (<http://download.phoenixcontact.com>)



Industrial SHDSL SERIAL permanent line modem for V.24 (RS-232)/RS-422/RS-485 point-to-point and linear structures. Serial data transmission of up to 2000 kbps on the plant's own cables, integrated diagnostic function, two configurable alarm outputs.

Product Features

- Distances up to 20 km
- RS-232, up to 230.4 kbps
- RS-422, up to 2000 kbps
- RS-485, up to 2000 kbps
- Robust modulation method (SHDSL)
- Two digital outputs for alerting external controllers
- Easy configuration
- For in-house cables



Key commercial data

package_quantity	1
GTIN	4046356509220

Technical data

Note:

Utilization restriction	EMC: class A product, see manufacturer's declaration in the download area
-------------------------	---

Dimensions

Width	35 mm
Height	99 mm
Depth	114.5 mm

Ambient conditions

Ambient temperature (operation)	-20 °C ... 60 °C (for derating, see technical documentation)
Ambient temperature (storage/transport)	-40 °C ... 85 °C
Permissible humidity (operation)	10 % ... 95 % (no condensation)
Permissible humidity (storage/transport)	10 % ... 95 % (no condensation)
Altitude	5000 m (For restrictions see manufacturer's declaration)
Degree of protection	IP20

Modem - PSI-MODEM-SHDSL/SERIAL - 2313669

Technical data

Ambient conditions

Noise immunity	EN 61000-6-2
-----------------------	--------------

Serial interface

Interface 1	V.24 (RS-232) interface in acc. with ITU-T V.28, EIA/TIA-232, DIN 66259-1
Interface	V.24 (RS-232)
Connection method	D-SUB-9 male connector
Transmission length	max. 15 m
Termination resistor	390 Ω - 180 Ω - 390 Ω (can be connected)
Conductor cross section solid min.	0.2 mm ²
Conductor cross section solid max.	2.5 mm ²
Conductor cross section stranded min.	0.2 mm ²
Conductor cross section stranded max.	2.5 mm ²
Conductor cross section AWG/kcmil min.	24
Conductor cross section AWG/kcmil max	13
Data flow control/protocols	Software handshake, Xon/Xoff, hardware handshake (RTS/CTS), 3964R-compatible, Modbus (RTU/ASCII), transparent protocol - additional protocols supported
Serial transmission speed	0.11/0.3/1.2/2.4/4.8/9.6/19.2/38.4/57.6/115.2/230.4 kbps, NRZ
Interface 2	SHDSL interface according to ITU-T G.991.2.bis
Connection method	2 x 2-pos. COMBICON plug-in screw terminal blocks
Transmission length	up to 20 km (Depending on data rate and cable cross section)
Serial transmission speed	4-wire operation: 64 kbps ... 30 Mbps
Serial transmission speed	2-wire operation: 32 kbps ... 15.3 Mbps
Interface 3	USB 2.0
Connection method	Mini-USB type B, 5-pos.
Transmission length	max. 5 m (Only for configuration and diagnostics)
Interface 4	RS-422 interface in acc. with ITU-T V.11, EIA/TIA-422, DIN 66348-1
Interface	RS-422
Connection method	Plug-in/screw connection via COMBICON
File format/coding	Serial asynchronous UART/NRZ, 7/8 data bits, 1/2 stop bits, 1 parity bit (even, odd, mark, space, none), 9/10/11-bit character length
Transmission length	≤ 1200 m
Termination resistor	390 Ω - 180 Ω - 390 Ω (can be connected)
Data flow control/protocols	Automatic control // Modbus RTU/ASCII
Serial transmission speed	1.2/2.4/4.8/7.0/9.6/19.2/38.4/57.6/75/93.75/115.2/136/187.5/375/500/1500/2000 kbps, NRZ
Interface 5	RS-485 interface, in acc. with EIA/TIA-485, DIN 66259-4/RS-485 2-wire
Interface	RS-485
Connection method	Plug-in/screw connection via COMBICON
File format/coding	Serial asynchronous UART/NRZ, 7/8 data, 1/2 stop, 1 parity, 10/11-bit character length

Modem - PSI-MODEM-SHDSL/SERIAL - 2313669

Technical data

Serial interface

Transmission length	up to 1200 m
Termination resistor	390 Ω - 180 Ω - 390 Ω (can be connected)
Protocols supported	Transparent, including 3964R protocol
Data flow control/protocols	Automatic control // Modbus RTU/ASCII
Serial transmission speed	1.2/2.4/4.8/7.0/9.6/19.2/38.4/57.6/75/93.75/115.2/136/187.5/375/500/1500/2000 kbps, NRZ

Power supply

Nominal supply voltage	24 V DC ±5 % (as an alternative or redundant, via backplane bus contact and system current supply)
Nominal supply voltage	5 V DC (configuration only, via mini-USB type B)
Supply voltage range	18 V DC ... 30 V DC
Typical current consumption	< 180 mA (24 V DC)
Connection method	COMBICON plug-in screw terminal block

General

Electrical isolation	DIN EN 50178 (VCC // RS-422, RS-485 // DSL Port A // DSL Port B // FE)
Test voltage data interface/power supply	1.5 kV _{rms} (50 Hz, 1 min.)
Electromagnetic compatibility	Conformance with EMC Directive 2004/108/EC
Noise emission	EN 55011
Net weight	205 g
Housing material	PA 6.6-FR
Color	green
MTBF	1004 Years (Telcordia standard, 25°C temperature, 21% operating cycle (5 days a week, 8 hours a day))
MTBF	199 Years (Telcordia standard, 40°C temperature, 34.25% operating cycle (5 days a week, 12 hours a day))
ATEX	# II 3 G Ex nA nC IIC T4 Gc X
UL, USA / Canada	cULus listed UL 508

classifications

eCl@ss

eCl@ss 4.0	27240490
eCl@ss 4.1	27240490
eCl@ss 5.0	27242208
eCl@ss 5.1	27242208
eCl@ss 6.0	27242208
eCl@ss 7.0	27242208
eCl@ss 8.0	27242208

ETIM

ETIM 2.0	EC000310
ETIM 3.0	EC000740

Modem - PSI-MODEM-SHDSL/SERIAL - 2313669

classifications

ETIM

ETIM 4.0	EC000740
ETIM 5.0	EC000740

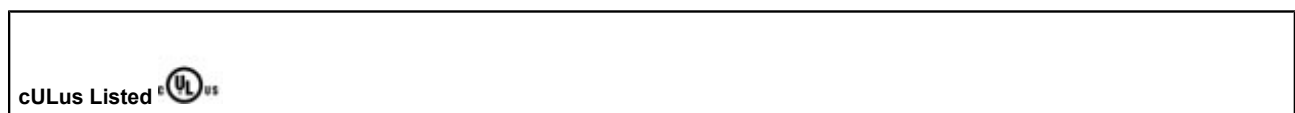
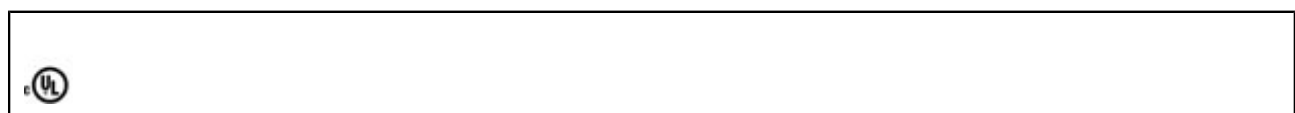
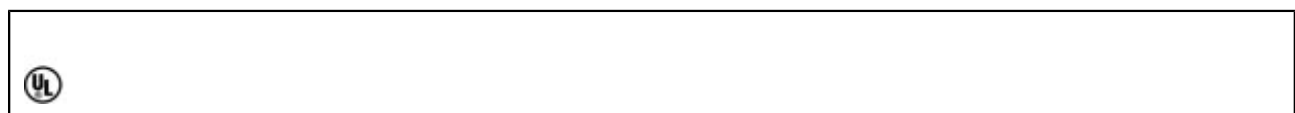
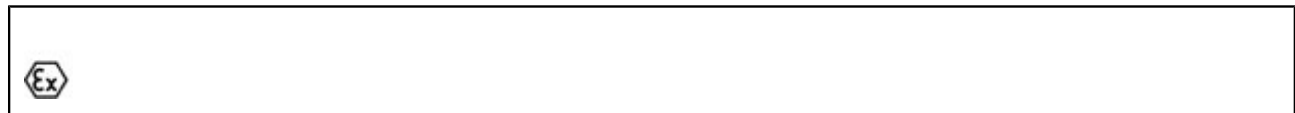
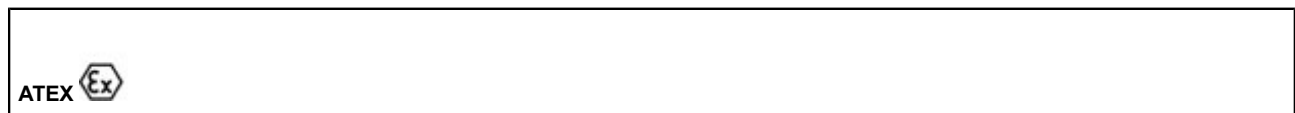
UNSPSC

UNSPSC 6.01	30211506
UNSPSC 7.0901	39121008
UNSPSC 11	39121008
UNSPSC 12.01	39121008
UNSPSC 13.2	43201553

approvals

ATEX / ATEX / UL Listed / cUL Listed / UL Listed / cUL Listed / cULus Listed /

Approval details



Modem - PSI-MODEM-SHDSSL/SERIAL - 2313669

accessories

Power supply

MINI-SYS-PS-100-240AC/24DC/1.5 - 2866983



DIN rail connector

ME 17,5 TBUS 1,5/ 5-ST-3,81 GN - 2709561



Surge protection for information technology

DT-TELE-SHDSSL - 2801593



Programming cable

PSI-CA-USB A/MINI B/1METER - 2313575



Adapter cable

Modem - PSI-MODEM-SHDSL/SERIAL - 2313669

accessories

CABLE-USB/MINI-USB-3,0M - 2986135



Data plug

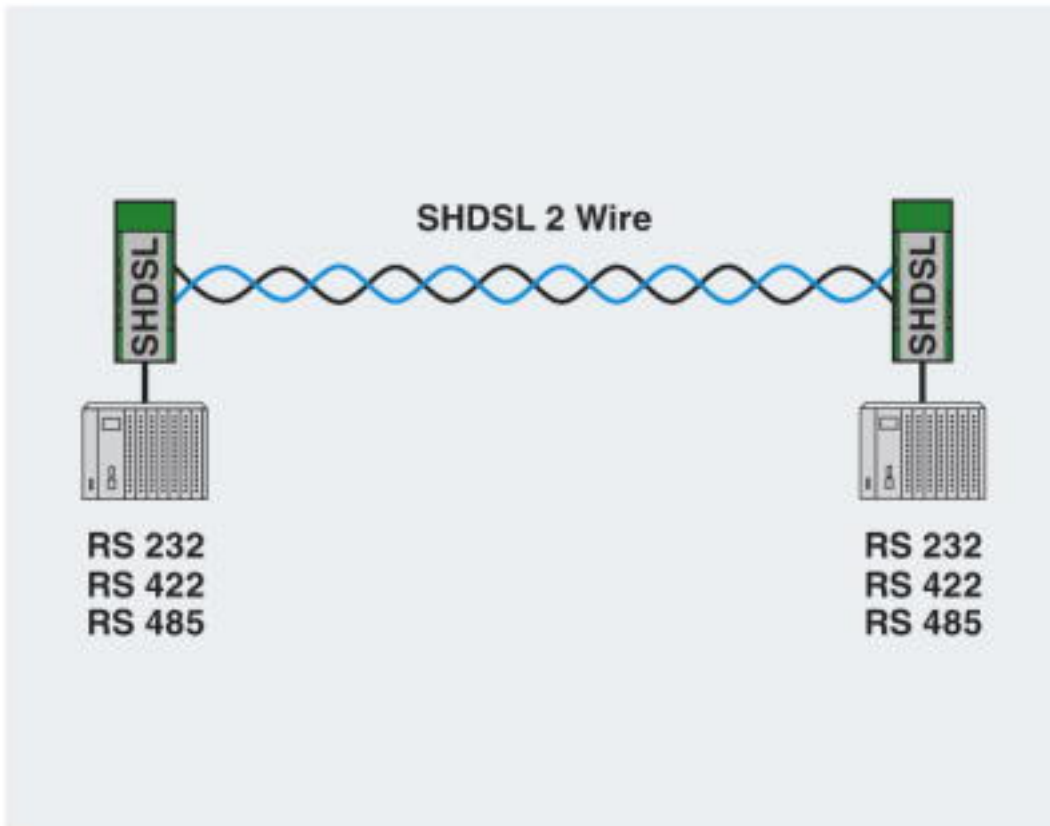
SUBCON 9/M-SH - 2761509



Drawings

Modem - PSI-MODEM-SHDSL/SERIAL - 2313669

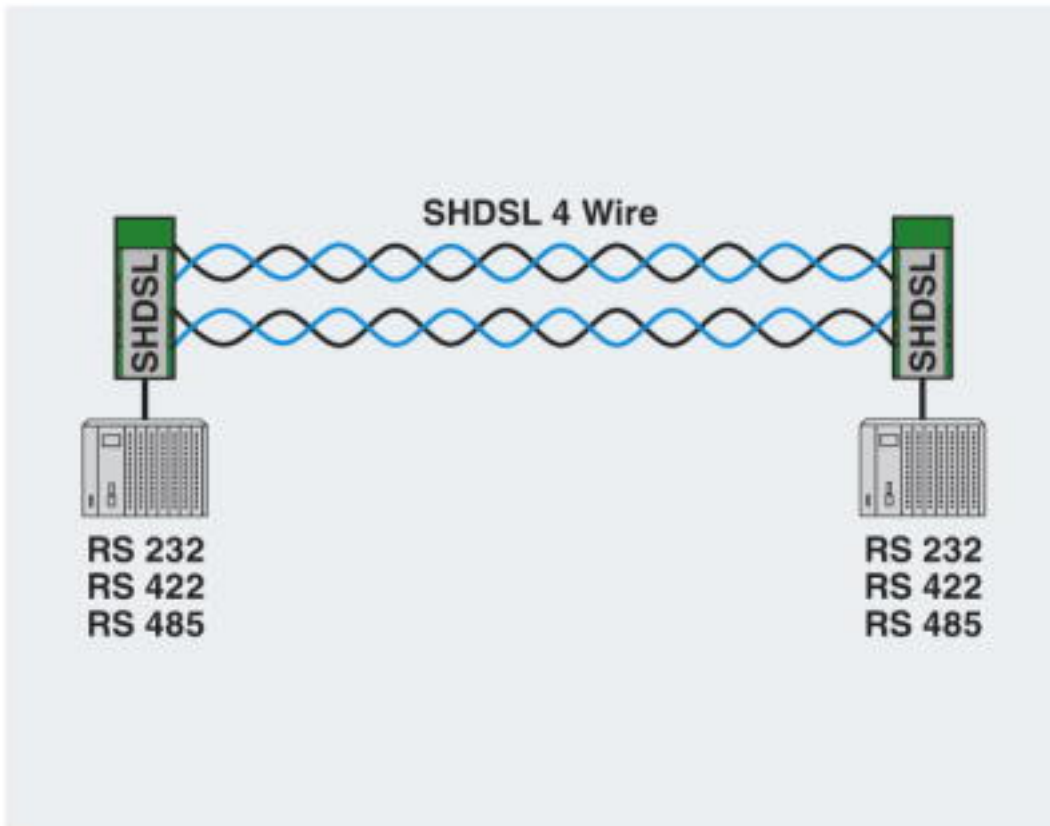
Application drawing



Point-to-point connection (2-wire)

Modem - PSI-MODEM-SHDSL/SERIAL - 2313669

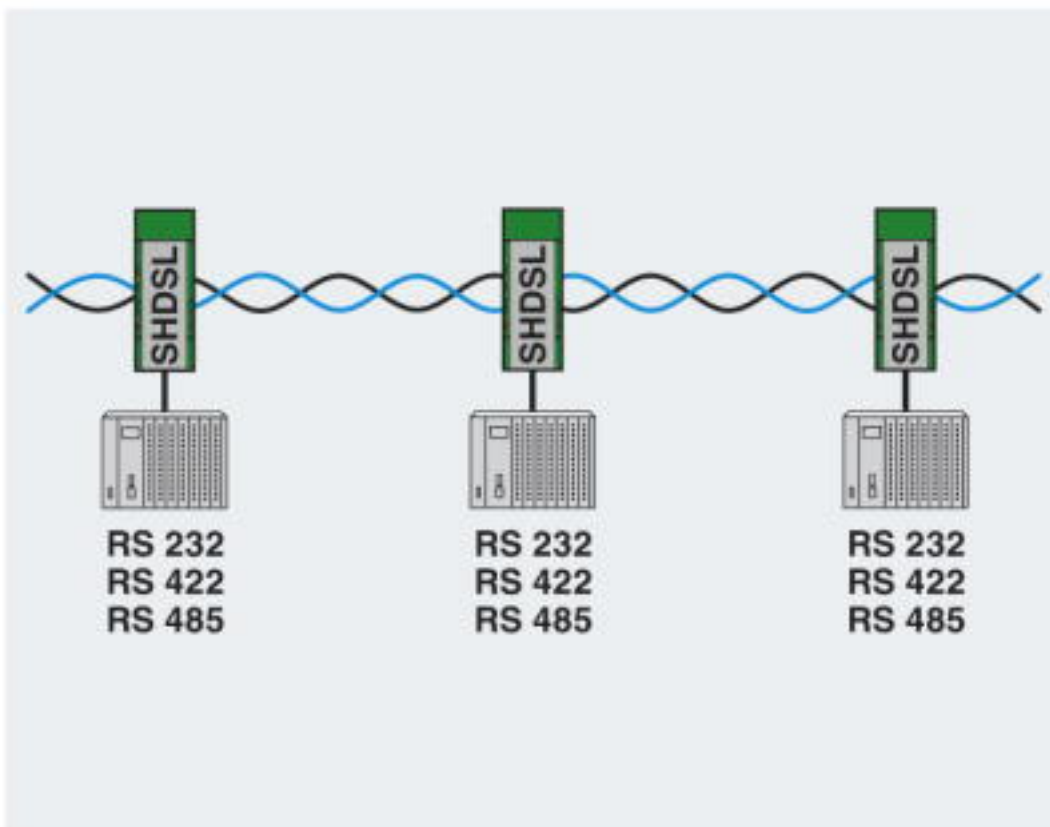
Application drawing



Point-to-point connection (4-wire)

Modem - PSI-MODEM-SHDSL/SERIAL - 2313669

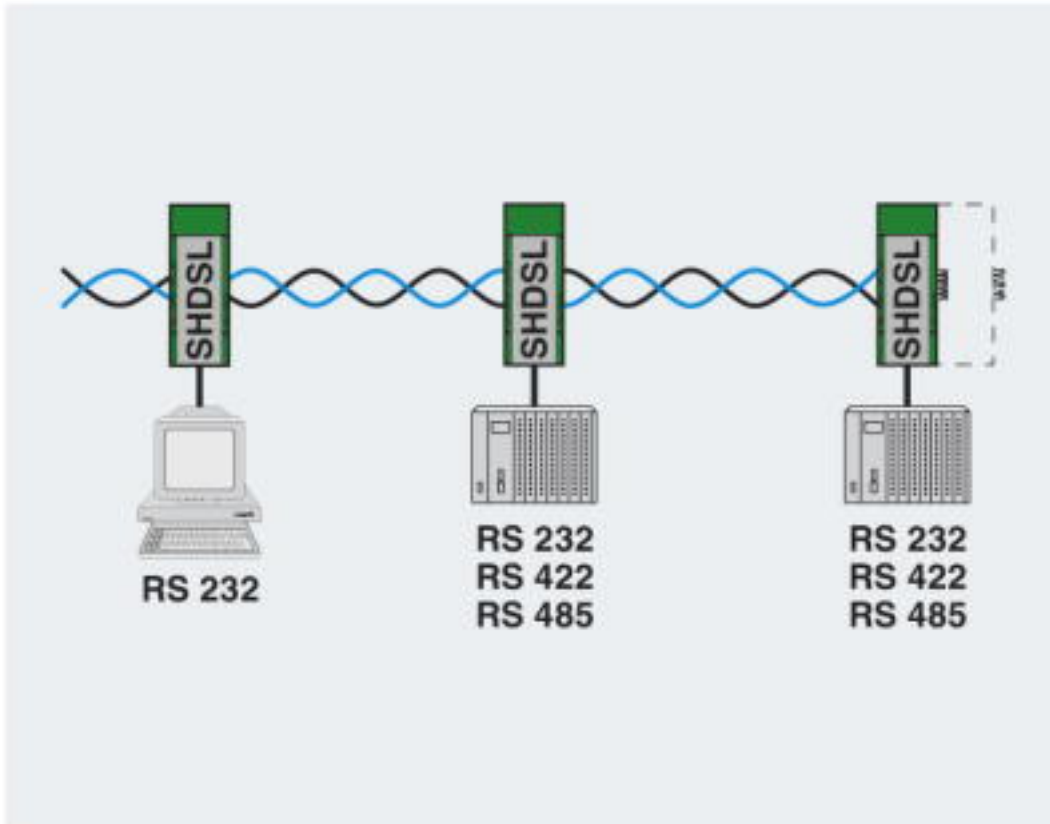
Application drawing



Linear structure (2-wire)

Modem - PSI-MODEM-SHDSL/SERIAL - 2313669

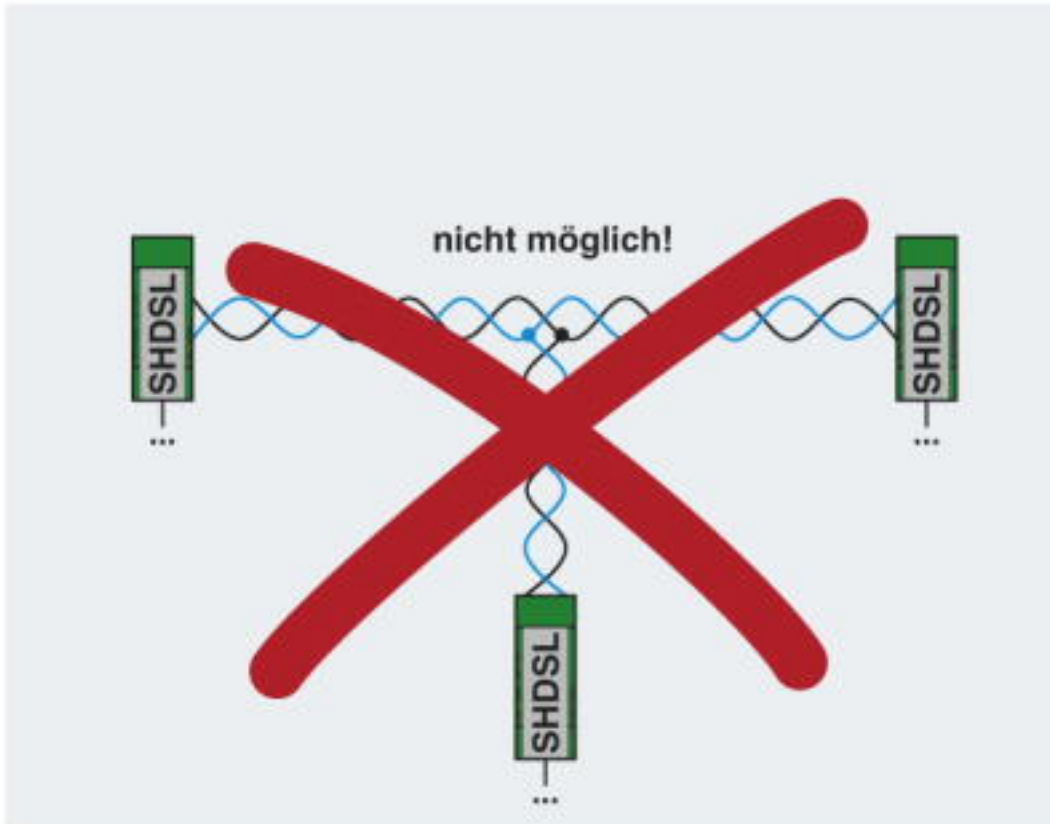
Application drawing



Linear structure (2-wire)

Modem - PSI-MODEM-SHDSL/SERIAL - 2313669

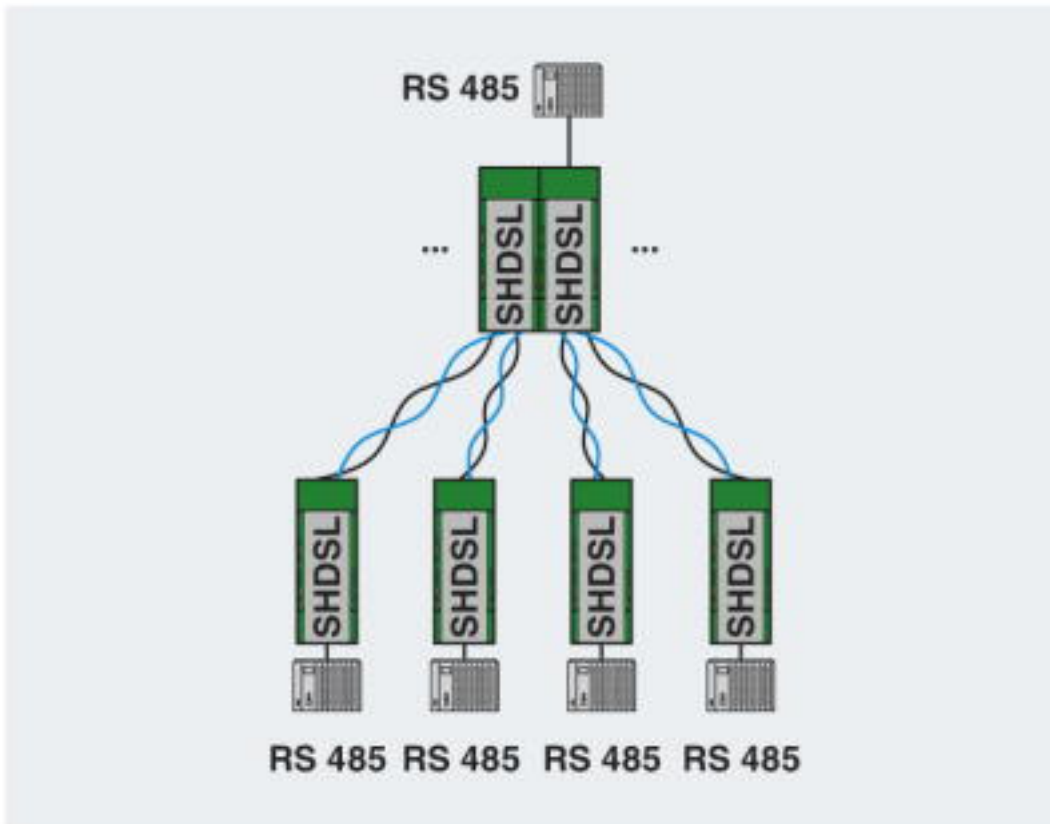
Application drawing



Multipoint communication via SHDSL not supported

Modem - PSI-MODEM-SHDSL/SERIAL - 2313669

Application drawing



Star structure via DIN rail connector

© Phoenix Contact 2013 - all rights reserved
<http://www.phoenixcontact.com>