

Mounting material - RAD-ANT-VAN-MKT - 2885870

Please be informed that the data shown in this PDF Document is generated from our Online Catalog. Please find the complete data in the user's documentation. Our General Terms of Use for Downloads are valid (<http://download.phoenixcontact.com>)



Mounting material for wall mounting of OMNI omnidirectional antenna with protection against vandals

Product Features

- Version with higher impact strength that is not immediately recognizable as an antenna

Key commercial data

package_quantity	1
GTIN	4046356126106

classifications

eCl@ss

eCl@ss 4.0	27250312
eCl@ss 4.1	27250312
eCl@ss 5.0	19070102
eCl@ss 5.1	19070102
eCl@ss 6.0	19070102
eCl@ss 7.0	19070102
eCl@ss 8.0	19070102

ETIM

ETIM 2.0	EC000416
ETIM 3.0	EC001698
ETIM 4.0	EC001698
ETIM 5.0	EC002608

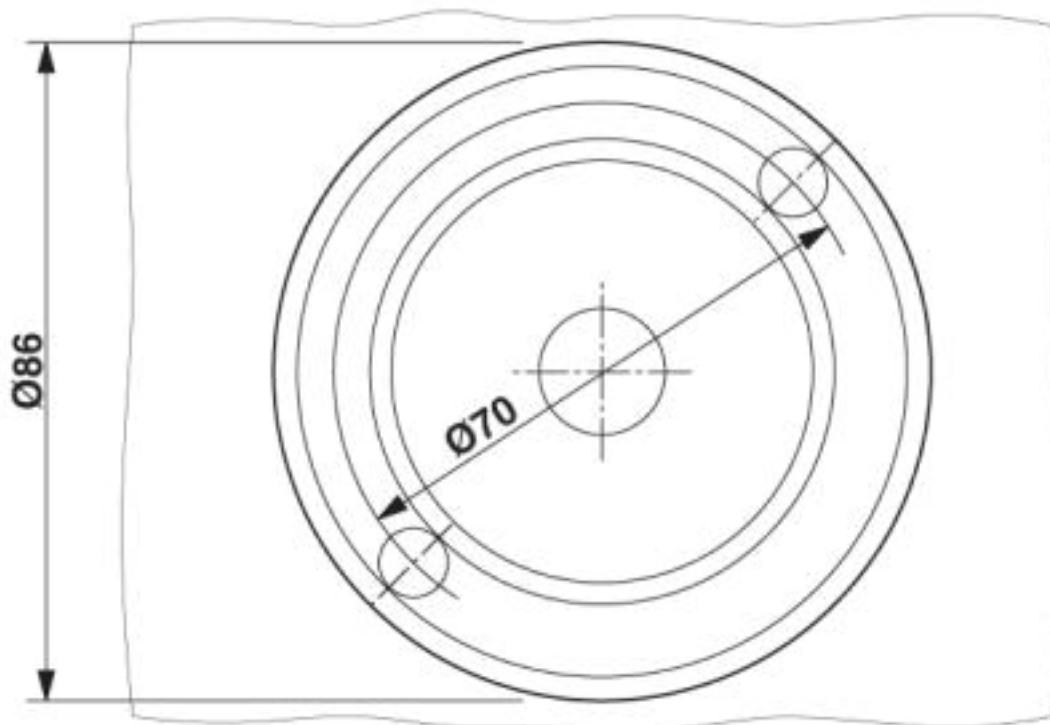
UNSPSC

UNSPSC 6.01	43171611
UNSPSC 7.0901	43221706
UNSPSC 11	43171611
UNSPSC 12.01	43221706
UNSPSC 13.2	43221706

Drawings

Mounting material - RAD-ANT-VAN-MKT - 2885870

Drilling diagram



Dimensioned drawing

