

# Inline ME terminal - IB IL AI 2/SF-ME - 2863944

Please be informed that the data shown in this PDF Document is generated from our Online Catalog. Please find the complete data in the user's documentation. Our General Terms of Use for Downloads are valid (<http://download.phoenixcontact.com>)



Inline analog input terminal, Inline ME variants (Machine Edition) complete with accessories (plug and labeling field), 2 inputs, 0-20 mA, 4-20 mA, ±20 mA, 0-10 V, ±10 V, 2-conductor connection system

## Product Features

- ✔ Connection of sensors in 2 or 3-wire technology



## Key commercial data

package_quantity	1
GTIN	4017918962654

## Technical data

Note:

Utilization restriction	EMC: class A product, see manufacturer's declaration in the download area
-------------------------	---

## Dimensions

Width	12.2 mm
Height	119.8 mm
Depth	71.5 mm

## Ambient conditions

Ambient temperature (operation)	-25 °C ... 55 °C
Ambient temperature (storage/transport)	-25 °C ... 85 °C
Permissible humidity (operation)	10 % ... 95 % (according to DIN EN 61131-2)
Permissible humidity (storage/transport)	10 % ... 95 % (according to DIN EN 61131-2)
Air pressure (operation)	70 kPa ... 106 kPa (up to 3000 m above sea level)
Air pressure (storage/transport)	70 kPa ... 106 kPa (up to 3000 m above sea level)
Degree of protection	IP20

## General

Weight	47 g
Mounting type	DIN rail
Protection class	III, IEC 61140, EN 61140, VDE 0140-1

## Interfaces

Fieldbus system	Lokalbus
-----------------	----------

# Inline ME terminal - IB IL AI 2/SF-ME - 2863944

## Technical data

### Interfaces

<b>Name</b>	Inline local bus
<b>Connection method</b>	Inline data jumper
<b>Transmission speed</b>	500 kBit/s
<b>Transmission physics</b>	Copper

### Inline potentials

<b>Communications power <math>U_L</math></b>	7.5 V DC (via voltage jumper)
<b>Current consumption from <math>U_L</math></b>	max. 60 mA
<b>Current consumption from <math>U_L</math></b>	typ. 45 mA
<b>Current consumption from <math>U_S</math></b>	0 A DC
<b>I/O supply voltage <math>U_{ANA}</math></b>	24 V DC
<b>Current consumption from <math>U_{ANA}</math></b>	max. 18 mA
<b>Current consumption from <math>U_{ANA}</math></b>	typ. 13 mA

### Analog inputs

<b>Number of inputs</b>	max. 2 (single ended)
<b>Connection method</b>	Inline shield connector
<b>Connection method</b>	2, 3-wire
<b>Input name</b>	Analog inputs
<b>A/D conversion time</b>	approx. 120 $\mu$ s (per channel)
<b>Resolution A/D</b>	16 bit
<b>Limit frequency (3 dB)</b>	40 Hz
<b>Data formats</b>	IL, IB ST, IB RT, standardized display
<b>Measured value resolution</b>	13 bits (12 bits + sign bit)
<b>Current input signal</b>	0 mA ... 20 mA
<b>Current input signal</b>	4 mA ... 20 mA
<b>Current input signal</b>	-20 mA ... 20 mA
<b>Voltage input signal</b>	0 V ... 10 V
<b>Voltage input signal</b>	-10 V ... 10 V
<b>Input resistance of voltage input</b>	> 220 k $\Omega$
<b>Precision</b>	0.3 %
<b>Number of inputs</b>	2 (single-ended voltage inputs)
<b>Voltage input signal</b>	0 V ... 10 V
<b>Voltage input signal</b>	-10 V ... 10 V
<b>Input resistance of voltage input</b>	220 k $\Omega$
<b>Number of inputs</b>	2 (single-ended current inputs)
<b>Current input signal</b>	0 mA ... 20 mA
<b>Current input signal</b>	4 mA ... 20 mA
<b>Current input signal</b>	-20 mA ... 20 mA

# Inline ME terminal - IB IL AI 2/SF-ME - 2863944

## classifications

### eCl@ss

eCl@ss 4.0	27250303
eCl@ss 4.1	27250303
eCl@ss 5.0	27250303
eCl@ss 5.1	27242601
eCl@ss 6.0	27242601
eCl@ss 7.0	27242601
eCl@ss 8.0	27242601

### ETIM

ETIM 2.0	EC001431
ETIM 3.0	EC001596
ETIM 4.0	EC001596
ETIM 5.0	EC001596

### UNSPSC

UNSPSC 6.01	43172015
UNSPSC 7.0901	43201404
UNSPSC 11	43172015
UNSPSC 12.01	43201404
UNSPSC 13.2	43201404

## approvals

---

UL Listed / cUL Listed / cULus Listed / UL Recognized / cUL Recognized / cULus Recognized /

---

### Approval details

UL Listed
-----------

cUL Listed
------------


cULus Listed
--------------

UL Recognized
---------------

## Inline ME terminal - IB IL AI 2/SF-ME - 2863944

approvals

cUL Recognized 

cULus Recognized 

accessories

**Labeling panel**

IB IL FIELD 2 - 2727501



---

**Terminal marking**

ESL 62X10 - 0809492

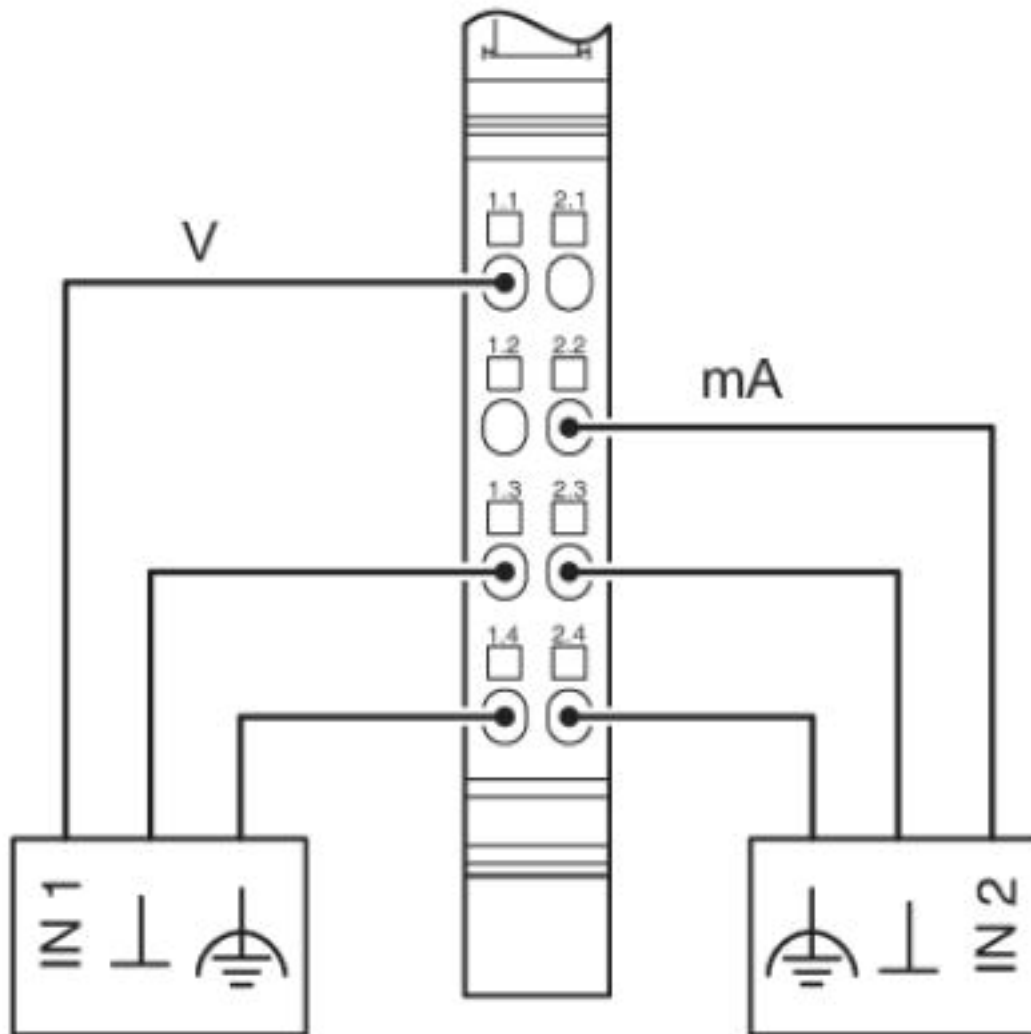


---

**Drawings**

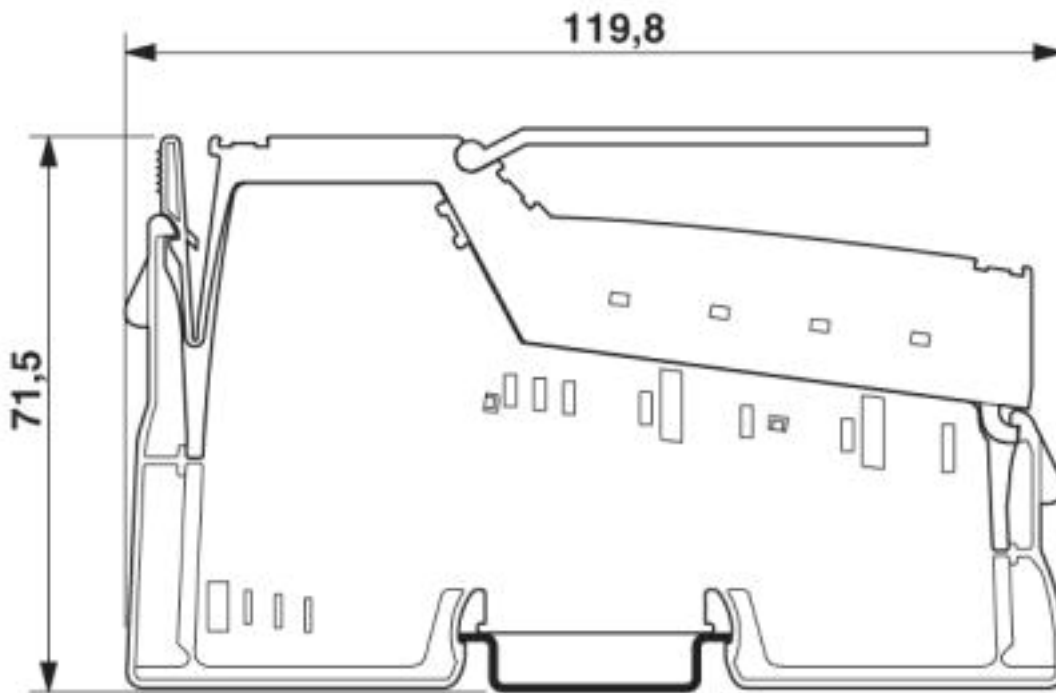
# Inline ME terminal - IB IL AI 2/SF-ME - 2863944

Connection diagram



## Inline ME terminal - IB IL AI 2/SF-ME - 2863944

Dimensioned drawing



© Phoenix Contact 2013 - all rights reserved  
<http://www.phoenixcontact.com>