

Inline terminal - IB IL 24 DI16-2MBD-PAC - 2861959

Please be informed that the data shown in this PDF Document is generated from our Online Catalog. Please find the complete data in the user's documentation. Our General Terms of Use for Downloads are valid (<http://download.phoenixcontact.com>)



Inline digital input terminal, complete with accessories (plug and labeling field), 16 inputs, 24 V DC, transmission speed 2 Mbaud, 2, 3-conductor connection system

The illustration shows the version IB IL 24 DI 16

Product Description

The digital Inline input terminals are designed for the connection of digital signals as are supplied from control switches, limit switches or proximity switches. All the typical applications are covered by the standard automation terminals. The I/O equipment is connected by a simple or an extended Inline plug, depending on the number of channels. The multi-wire connection method is available in both cases. The Inline terminals can be labeled using hinged labeling fields. The fields have insert cards that can be labeled individually to suit the application. Additionally, there is the proven ZBFM-6... Zack strip for labeling the terminal points.

Product Features

- 16 digital inputs
- Connection of sensors in 2 and 3-wire technology
- Maximum permissible load current per sensor: 250 mA
- Diagnostic and status indicators

Key commercial data

package_quantity	1
GTIN	4017918974619

Technical data

Note:

Utilization restriction	EMC: class A product, see manufacturer's declaration in the download area
--------------------------------	---

Dimensions

Width	48.8 mm
Height	140.5 mm
Depth	71.5 mm

Ambient conditions

Ambient temperature (operation)	-25 °C ... 55 °C
Ambient temperature (storage/transport)	-25 °C ... 85 °C
Permissible humidity (operation)	10 % ... 95 % (according to DIN EN 61131-2)
Permissible humidity (storage/transport)	10 % ... 95 % (according to DIN EN 61131-2)
Air pressure (operation)	70 kPa ... 106 kPa (up to 3000 m above sea level)
Air pressure (storage/transport)	70 kPa ... 106 kPa (up to 3000 m above sea level)

Inline terminal - IB IL 24 DI16-2MBD-PAC - 2861959

Technical data

Ambient conditions

Degree of protection	IP20
----------------------	------

General

Weight	122 g
Note on weight specifications	Without plug
Mounting type	DIN rail
Protection class	III, IEC 61140, EN 61140, VDE 0140-1

Interfaces

Fieldbus system	Lokalbus
Name	Inline local bus
Connection method	Inline data jumper
Transmission speed	2 MBit/s

Power supply for module electronics

Supply voltage	24 V DC (via voltage jumper)
Supply voltage range	19.2 V DC ... 30 V DC (including all tolerances, including ripple)
Supply current	80 mA
Communications power U_L	7.5 V (via voltage jumper)
Current consumption	max. 60 mA (from the local bus)

Inline potentials

Communications power U_L	7.5 V DC
Current consumption from U_L	max. 60 mA
Main circuit supply U_M	24 V DC
Current consumption from U_M	max. 8 A DC
Segment supply voltage U_S	24 V DC (nominal value)
Current consumption from U_S	max. 8 A

Digital inputs

Input name	Digital inputs
Connection method	Spring-cage connection
Connection method	2, 3-wire
Number of inputs	16
Typical response time	< 1 ms
Protective circuit	Short-circuit and overload protection
Input voltage	24 V DC (via voltage jumper)
Input voltage range "0" signal	-3 V DC ... 5 V DC
Input voltage range "1" signal	15 V DC ... 30 V DC

classifications

eCl@ss

eCl@ss 4.0	27250302
------------	----------

Inline terminal - IB IL 24 DI16-2MBD-PAC - 2861959

classifications

eCl@ss

eCl@ss 4.1	27250302
eCl@ss 5.0	27250302
eCl@ss 5.1	27242604
eCl@ss 6.0	27242604
eCl@ss 7.0	27242604
eCl@ss 8.0	27242604

ETIM

ETIM 2.0	EC001430
ETIM 3.0	EC001599
ETIM 4.0	EC001599
ETIM 5.0	EC001599

UNSPSC

UNSPSC 6.01	43172015
UNSPSC 7.0901	43201404
UNSPSC 11	43172015
UNSPSC 12.01	43201404
UNSPSC 13.2	43201404

approvals

UL Listed / cUL Listed / UL Listed / cUL Listed / cULus Listed /

Approval details

UL Listed

cUL Listed

UL Listed

cUL Listed

Inline terminal - IB IL 24 DI16-2MBD-PAC - 2861959

approvals

cULus Listed 

accessories

Plug

IB IL SCN-8 - 2726337



IB IL SCN-8-CP - 2727608



Labeling panel

IB IL FIELD 2 - 2727501



Terminal marking

ESL 62X10 - 0809492



Inline terminal - IB IL 24 DI16-2MBD-PAC - 2861959

accessories

ZB 6/WH-100:UNBEDRUCKT - 5060935



ZB 6:UNBEDRUCKT - 1051003



ZBFM 6/WH:UNBEDRUCKT - 0803618



Labeled terminal marker

ZB 6,QR:FORTL.ZAHLEN - 1051029



Marker pen

B-STIFT - 1051993



Inline terminal - IB IL 24 DI16-2MBD-PAC - 2861959

accessories

X-PEN 0,35 - 0811228



Front adapter

FLKM 14-PA-INLINE/IN16 - 2302751



accessories

ZB 6,QR:GLEICHE ZAHLEN - 1051045



ZB 6:SO/CMS - 1050499



ZBFM 6/OG:UNBEDRUCKT - 0807193



Inline terminal - IB IL 24 DI16-2MBD-PAC - 2861959

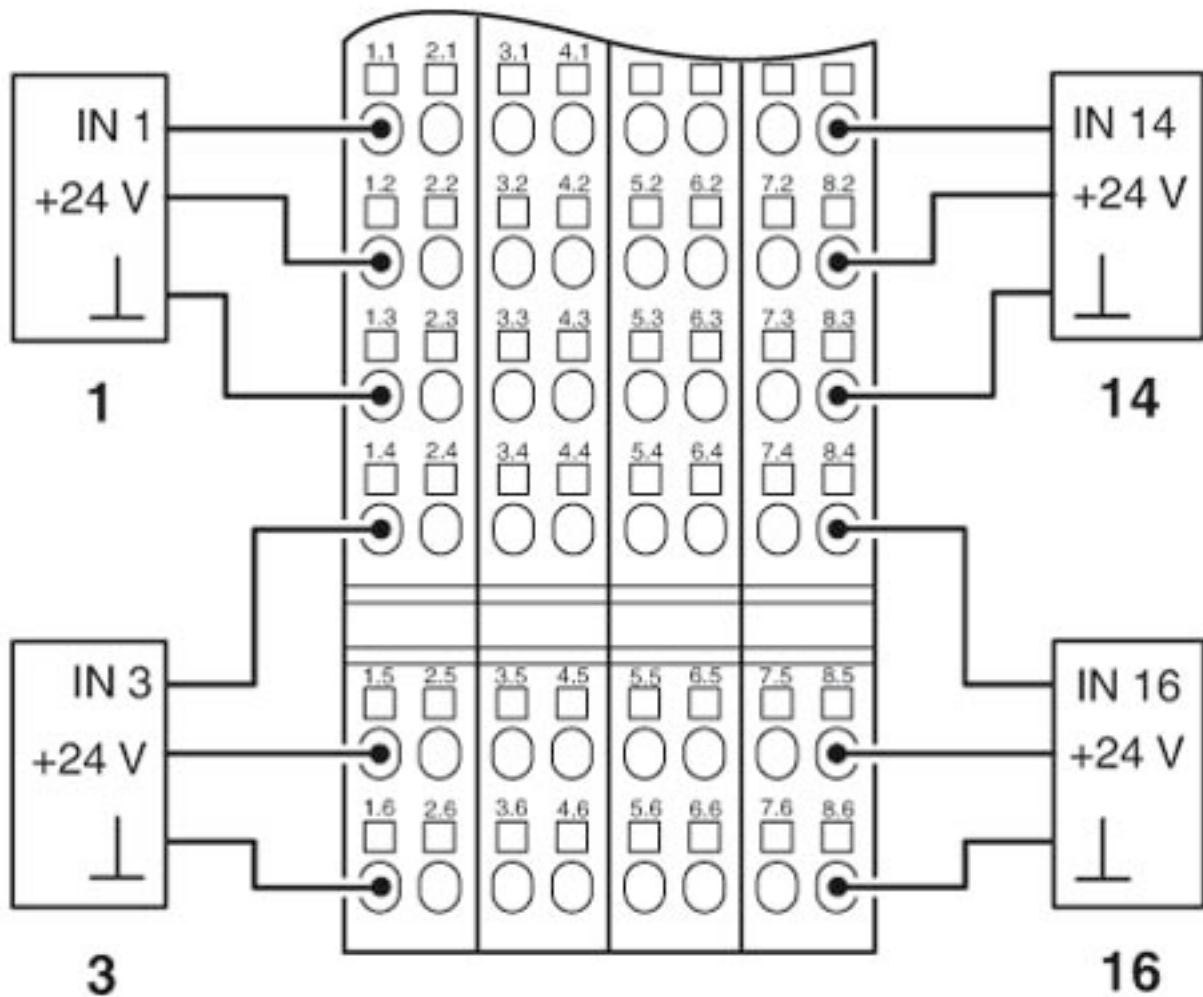
accessories

ZBFM 6:SO/CMS - 0803650



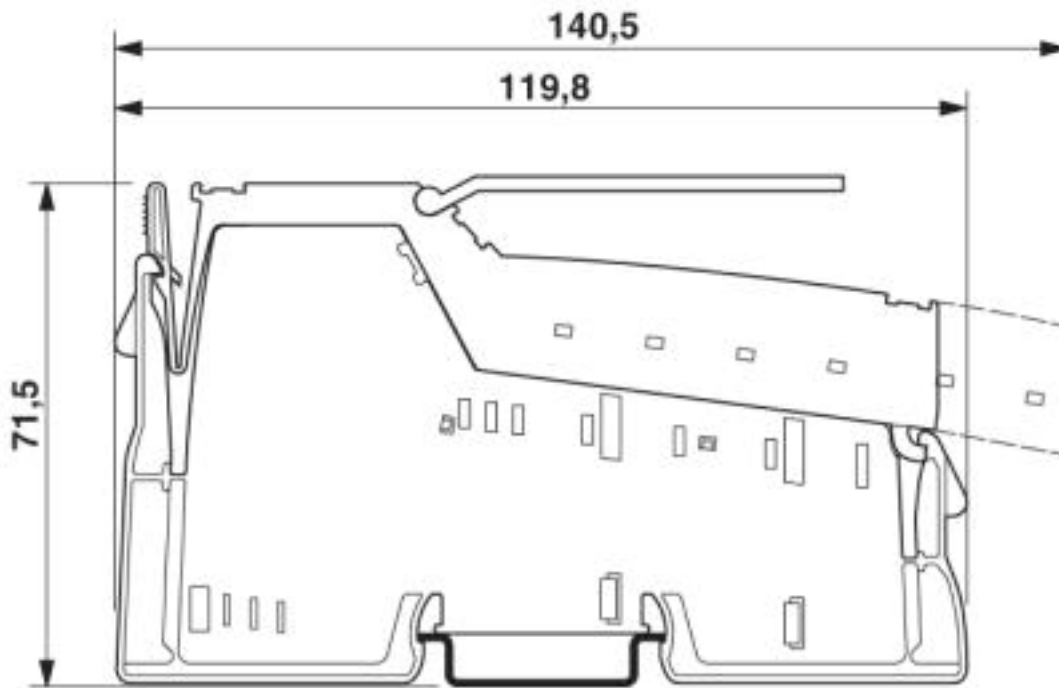
Drawings

Connection diagram



Inline terminal - IB IL 24 DI16-2MBD-PAC - 2861959

Dimensioned drawing



© Phoenix Contact 2013 - all rights reserved
<http://www.phoenixcontact.com>