

Connection element - PSD-S CE-TM SCREW - 2700095

Please be informed that the data shown in this PDF Document is generated from our Online Catalog. Please find the complete data in the user's documentation. Our General Terms of Use for Downloads are valid (<http://download.phoenixcontact.com>)



Connection element with screw connection terminal blocks for tube mounting

Key commercial data

package_quantity	1
GTIN	4046356490979

Technical data

Dimensions

Diameter	69 mm
Height	27 mm

Ambient conditions

Ambient temperature (operation)	-20 °C ... 50 °C
Degree of protection	IP65, when installed

General

Material	PA-GF
Color	black
Weight	84 g
Mounting position	Any
Mounting type	Tube mounting
Assembly instructions	Rubber seal pre-installed for each element
Number of mountable signal elements	max. 5
Scope of delivery	End cover and seal

Electrical data

Nominal input voltage range	12 V AC/DC ... 240 V AC/DC
------------------------------------	----------------------------

Connection data

Connection method	Screw connection
Conductor cross section solid min.	0.75 mm ²
Conductor cross section solid max.	2.5 mm ²
Conductor cross section stranded min.	0.75 mm ²
Conductor cross section stranded max.	2.5 mm ²
Conductor cross section AWG/kcmil min.	18

Connection element - PSD-S CE-TM SCREW - 2700095

Technical data

Connection data

Conductor cross section AWG/kcmil max	14
--	----

Approvals / conformities

Electromagnetic compatibility	Conformance with EMC directive 2004/108/EC and for low-voltage directive 2006/95/EC
--------------------------------------	---

classifications

eCl@ss

eCl@ss 4.0	27143203
eCl@ss 4.1	27143203
eCl@ss 5.0	27371232
eCl@ss 5.1	27371232
eCl@ss 6.0	27371232
eCl@ss 7.0	27371232
eCl@ss 8.0	27371232

ETIM

ETIM 3.0	EC001152
ETIM 4.0	EC001152
ETIM 5.0	EC001152


UNSPSC


UNSPSC 6.01	43172015
UNSPSC 7.0901	43201404
UNSPSC 11	39121311
UNSPSC 12.01	39121311
UNSPSC 13.2	39121311

approvals

UL Listed / cUL Listed / cULus Listed /

Approval details





Connection element - PSD-S CE-TM SCREW - 2700095

approvals

cULus Listed 

accessories

Assembly element

PSD-S ME A-SH M18 - 2700150



PSD-S ME BT 110 - 2700156



PSD-S ME T-M 250 - 2700157



PSD-S ME T-M 400 - 2700158



PSD-S ME T-M 1000 - 2700154



Connection element - PSD-S CE-TM SCREW - 2700095

accessories

PSD-S ME B-M - 2700164



PSD-S ME B-P - 2700163



PSD-S ME T-P 45 - 2700152



PSD-S ME FB - 2700151



PSD-S ME OB - 2700153



Connection element - PSD-S CE-TM SCREW - 2700095

accessories

PSD-S ME OB/MB - 2700155



PSD-S ME BR-BM/HCR - 2700149



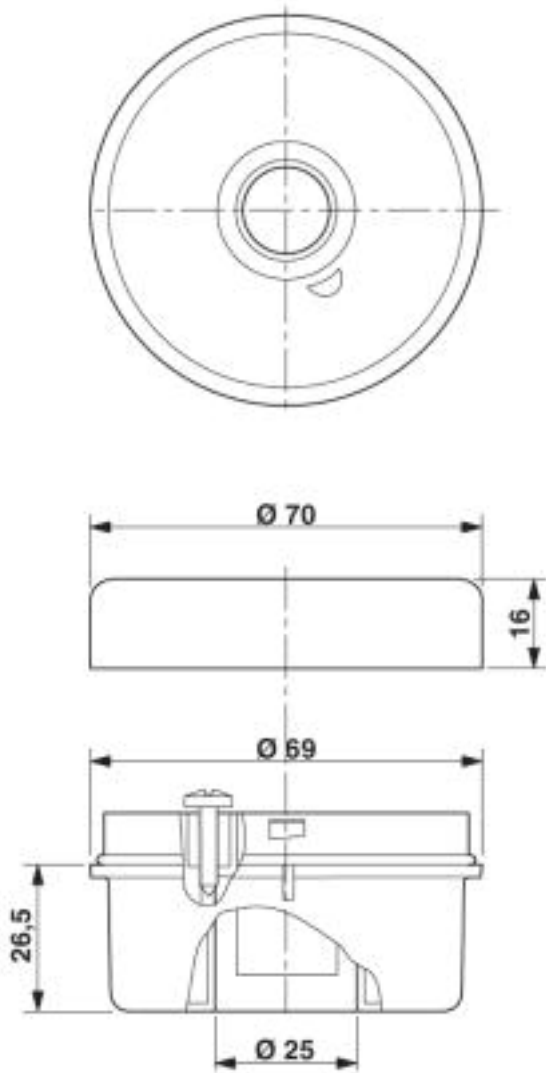
PSD-S ME BR-BM - 2700143



Drawings

Connection element - PSD-S CE-TM SCREW - 2700095

Dimensioned drawing



© Phoenix Contact 2013 - all rights reserved
<http://www.phoenixcontact.com>