

# Distributed I/O device - FLM DI 8 M12 - 2736288

Please be informed that the data shown in this PDF Document is generated from our Online Catalog. Please find the complete data in the user's documentation. Our General Terms of Use for Downloads are valid (<http://download.phoenixcontact.com>)



The local bus device has digital inputs. Functions: 8 digital inputs, 3 ms filter time, 500 kbaud/2 Mbaud selection, channel-specific diagnostics, short-circuit and overload protection, 600 mA nominal current, M12 fast connection technology.

## Product Features

- Flexible power supply concept
- SPEEDCON rapid interlock system
- Short-circuit and overload protection
- Diagnostic and status indicators
- Consistent connection via M12 connectors

## Key commercial data

<b>package_quantity</b>	1
<b>GTIN</b>	4017918951054

## Technical data

Note:

<b>Utilization restriction</b>	EMC: class A product, see manufacturer's declaration in the download area
--------------------------------	---

## Dimensions

<b>Width</b>	70 mm
<b>Height</b>	178.5 mm
<b>Depth</b>	50 mm
<b>Drill hole spacing</b>	168 mm

## Ambient conditions

<b>Ambient temperature (operation)</b>	-25 °C ... 60 °C
<b>Ambient temperature (storage/transport)</b>	-25 °C ... 85 °C
<b>Permissible humidity (storage/transport)</b>	95 %
<b>Air pressure (operation)</b>	80 kPa ... 106 kPa (up to 2000 m above sea level)
<b>Air pressure (storage/transport)</b>	70 kPa ... 106 kPa (up to 3000 m above sea level)
<b>Degree of protection</b>	IP65/67

## General

<b>Weight</b>	290 g
<b>Mounting type</b>	Wall mounting
<b>Protection class</b>	III, IEC 61140, EN 61140, VDE 0140-1

# Distributed I/O device - FLM DI 8 M12 - 2736288

## Technical data

### General

<b>Test section</b>	To I/O 500 V AC
<b>Mechanical tests</b>	Shock in acc. with EN 60068-2-27/IEC 60068-2-27 Load 30 g, half sine wave, positive and negative per direction
<b>Mechanical tests</b>	Vibration resistance in acc. with EN 60068-2-6/IEC 60068-2-6 5g in each space direction

### Interfaces

<b>Name</b>	Fieldline local bus
<b>Connection method</b>	M12 connector, B-coded
<b>Designation connection point</b>	Copper cable
<b>Transmission speed</b>	500 kBit/s / 2 MBit/s
<b>Number of positions</b>	5

### Power supply for module electronics

<b>Connection method</b>	M12 connector
<b>Name</b>	$U_L$
<b>Supply voltage</b>	24 V DC
<b>Supply voltage range</b>	18 V DC ... 30 V DC IEC 61131-2 (including ripple)

### Fieldline potentials

<b>Voltage supply <math>U_L</math></b>	24 V DC
<b>Power supply at <math>U_L</math></b>	max. 4 A
<b>Current consumption from <math>U_L</math></b>	max. 50 mA (At 2 Mbaud)
<b>Current consumption from <math>U_L</math></b>	typ. 40 mA (At 2 Mbaud)
<b>Current consumption from <math>U_L</math></b>	max. 50 mA (At 500 kBaud)
<b>Current consumption from <math>U_L</math></b>	typ. 35 mA (At 500 kBaud)
<b>Voltage supply <math>U_S</math></b>	24 V DC
<b>Power supply at <math>U_S</math></b>	max. 4 A
<b>Current consumption from <math>U_S</math></b>	typ. 5 mA (plus power supply for sensors)
<b>Current consumption from <math>U_S</math></b>	max. 600 mA

### Digital inputs

<b>Input name</b>	Digital inputs
<b>Connection method</b>	M12 connector
<b>Connection method</b>	2, 3, 4-wire
<b>Number of inputs</b>	8
<b>Protective circuit</b>	Protection against polarity reversal
<b>Filter time</b>	3 ms
<b>Input characteristic curve</b>	IEC 61131-2 type 1
<b>Input voltage</b>	24 V DC
<b>Input voltage range "0" signal</b>	-30 V DC ... 5 V DC
<b>Input voltage range "1" signal</b>	13 V DC ... 30 V DC
<b>Delay at signal change from 0 to 1</b>	3.1 ms
<b>Delay at signal change from 1 to 0</b>	4.1 ms

# Distributed I/O device - FLM DI 8 M12 - 2736288

## Technical data

### classifications

#### eCl@ss

eCl@ss 4.0	27250302
eCl@ss 4.1	27250302
eCl@ss 5.0	27250302
eCl@ss 5.1	27242604
eCl@ss 6.0	27242604
eCl@ss 7.0	27242604
eCl@ss 8.0	27242604

#### ETIM

ETIM 2.0	EC001430
ETIM 3.0	EC001599
ETIM 4.0	EC001599
ETIM 5.0	EC001599

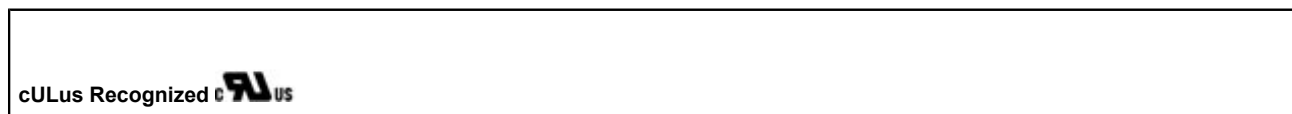
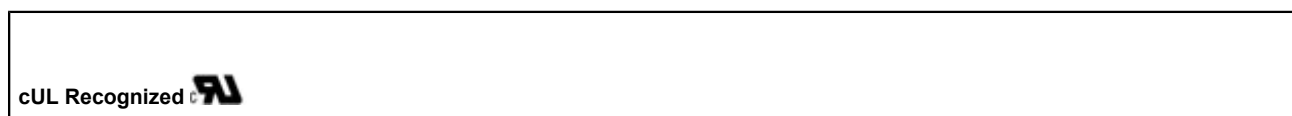
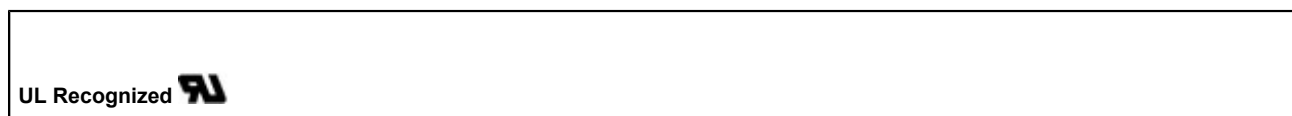
#### UNSPSC

UNSPSC 6.01	43172015
UNSPSC 7.0901	43201404
UNSPSC 11	43172015
UNSPSC 12.01	43201404
UNSPSC 13.2	43201404

### approvals

UL Recognized / cUL Recognized / cULus Recognized / UL Recognized / cUL Recognized / cULus Recognized /

#### Approval details



## Distributed I/O device - FLM DI 8 M12 - 2736288

approvals



accessories

### Terminal marking

ZBF 12:UNBEDRUCKT - 0809735



---

### Data cable preassembled

SAC-5P-M12MSB/ 2,0-900 - 1507065



---

SAC-5P-M12MSB/ 5,0-900 - 1507078



## Distributed I/O device - FLM DI 8 M12 - 2736288

### accessories

SAC-5P-M12MSB/10,0-900 - 1507081



SAC-5P-M12MSB/15,0-900 - 1507094



SAC-5P- 2,0-900/M12FSB - 1507117



SAC-5P- 5,0-900/M12FSB - 1507120



SAC-5P-10,0-900/M12FSB - 1507133



SAC-5P-15,0-900/M12FSB - 1507146



## Distributed I/O device - FLM DI 8 M12 - 2736288

### accessories

---

SAC-5P-M12MSB/ 0,3-900/M12FSB - 1507162



SAC-5P-M12MSB/ 0,5-900/M12FSB - 1507175



SAC-5P-M12MSB/ 1,0-900/M12FSB - 1507188



SAC-5P-M12MSB/ 2,0-900/M12FSB - 1507191



SAC-5P-M12MSB/ 5,0-900/M12FSB - 1507201



## Distributed I/O device - FLM DI 8 M12 - 2736288

### accessories

SAC-5P-M12MSB/10,0-900/M12FSB - 1507214



SAC-5P-M12MSB/15,0-900/M12FSB - 1507227



### Sensor/actuator cable

SAC-5P-MS/ 2,0-186 SCO - 1518326



SAC-5P-MS/ 5,0-186 SCO - 1518339



SAC-5P-MS/10,0-186 SCO - 1518342



## Distributed I/O device - FLM DI 8 M12 - 2736288

### accessories

SAC-5P-MS/15,0-186 SCO - 1518355



SAC-5P- 2,0-186/FS SCO - 1518368



SAC-5P- 5,0-186/FS SCO - 1518371



SAC-5P-10,0-186/FS SCO - 1518384



SAC-5P-15,0-186/FS SCO - 1518397



SAC-5P-MS/ 0,3-186/FS SCO - 1518407





## Distributed I/O device - FLM DI 8 M12 - 2736288

### accessories

---

SAC-5P-MS/ 0,5-186/FS SCO - 1518410



SAC-5P-MS/ 1,0-186/FS SCO - 1518423



SAC-5P-MS/ 2,0-186/FS SCO - 1518436



SAC-5P-MS/ 5,0-186/FS SCO - 1518449



SAC-5P-MS/10,0-186/FS SCO - 1518452



## Distributed I/O device - FLM DI 8 M12 - 2736288

### accessories

SAC-5P-MS/15,0-186/FS SCO - 1518465



SAC-5P-MS/ 0,13-186/FS SCO - 1518481



SAC-5P-MSB/0,13-PUR/FSB SCO SH - 1518478



### **Circular connector (cable-side)**

SACC-M12MSB-5CON-PG9 SH AU - 1507764



SACC-M12FSB-5CON-PG9 SH AU - 1507777



## Distributed I/O device - FLM DI 8 M12 - 2736288

### accessories

SACC-M12MSB-5SC SH - 1513570



SACC-M12FSB-5SC SH - 1513596



SACC-M12MRB-5SC SH - 1513583



SACC-M12FRB-5SC SH - 1513606



SACC-M12MS-5SC M - 1508187



SACC-M12FS-5SC M - 1508200



# Distributed I/O device - FLM DI 8 M12 - 2736288

accessories

---

accessories

PROT-M12-M - 2736194



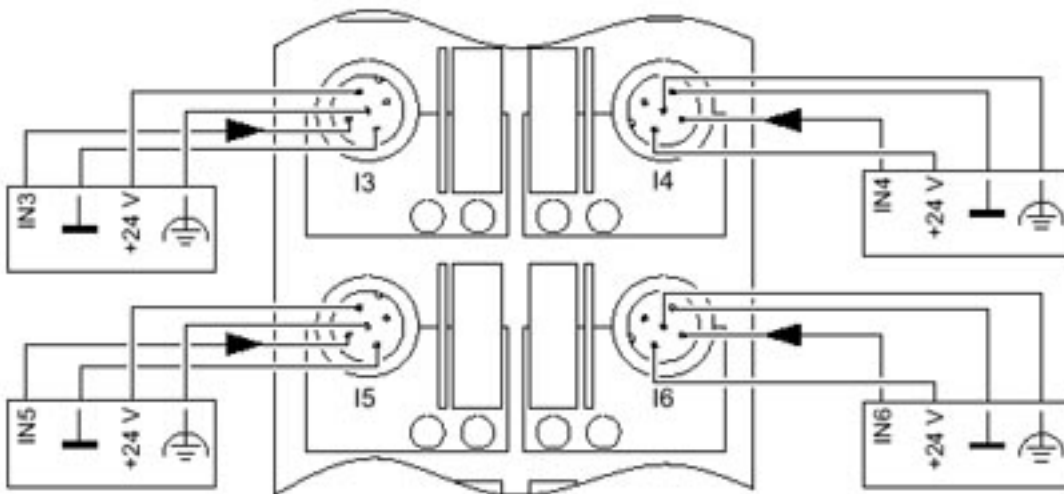
ZBF 12:SO/CMS - 0810038



---

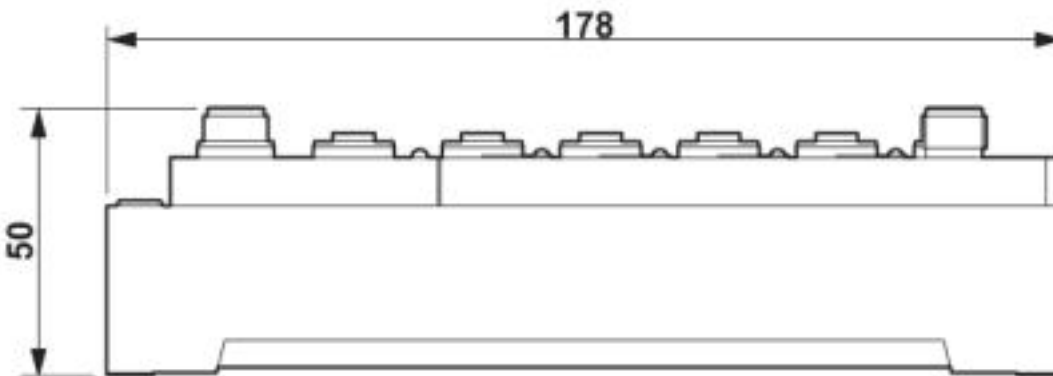
## Drawings

Connection diagram



## Distributed I/O device - FLM DI 8 M12 - 2736288

Dimensioned drawing



© Phoenix Contact 2013 - all rights reserved  
<http://www.phoenixcontact.com>