

Front adapters - FLKM 14-PA-INLINE/OUT16 - 2302764

Please be informed that the data shown in this PDF Document is generated from our Online Catalog. Please find the complete data in the user's documentation. Our General Terms of Use for Downloads are valid (<http://download.phoenixcontact.com>)



VARIOFACE front adapter for Inline modules, for transferring 16 (2 x 8) digital output signals.

The illustration shows the version FLKM 14-PA-INLINE/IN16

Key commercial data

package_quantity	1
GTIN	4017918929480

Technical data

General

Nominal voltage U_N	60 V DC
Max. permissible current	1 A (per path)
Channels which can be connected	16
Connection type, connector	IDC/FLK pin strip (2.54 mm)
Number of connectors	2
No. of positions, connector	14
Mounting position	Any
Standards/regulations	IEC 60664
Standards/regulations	DIN EN 50178
Standards/regulations	IEC 62103

Ambient conditions

Ambient temperature (operation)	-20 °C ... 50 °C
Ambient temperature (storage/transport)	-20 °C ... 70 °C

Supported controller

Control	PHOENIX CONTACT Inline
- suitable I/O card	IB IL 24 DO 16-PAC
- suitable I/O card	ILB ... 24 DO16
- suitable I/O card	ILB ... 24 DO32
- suitable I/O card	ILB ... 24 DI16 DO16

classifications

eCl@ss

Front adapters - FLKM 14-PA-INLINE/OUT16 - 2302764

classifications

eCl@ss

eCl@ss 4.0	27250313
eCl@ss 4.1	27250313
eCl@ss 5.0	27250313
eCl@ss 5.1	27250313
eCl@ss 6.0	27242208
eCl@ss 7.0	27242208
eCl@ss 8.0	27242208

ETIM

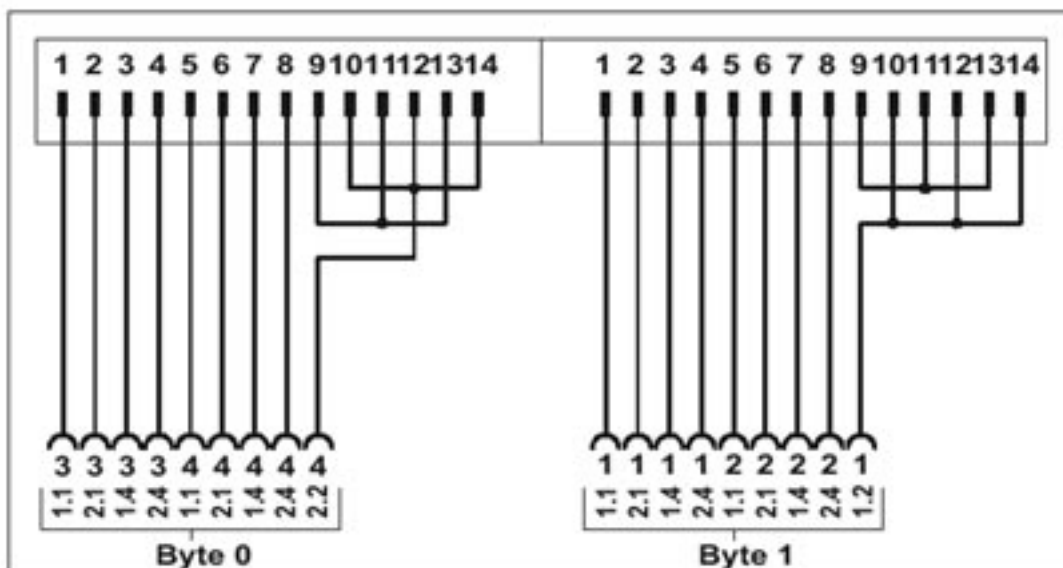
ETIM 2.0	EC001423
ETIM 3.0	EC001423
ETIM 4.0	EC001423
ETIM 5.0	EC002584

UNSPSC

UNSPSC 6.01	30211824
UNSPSC 7.0901	39121402
UNSPSC 11	39121402
UNSPSC 12.01	39121402
UNSPSC 13.2	39121402

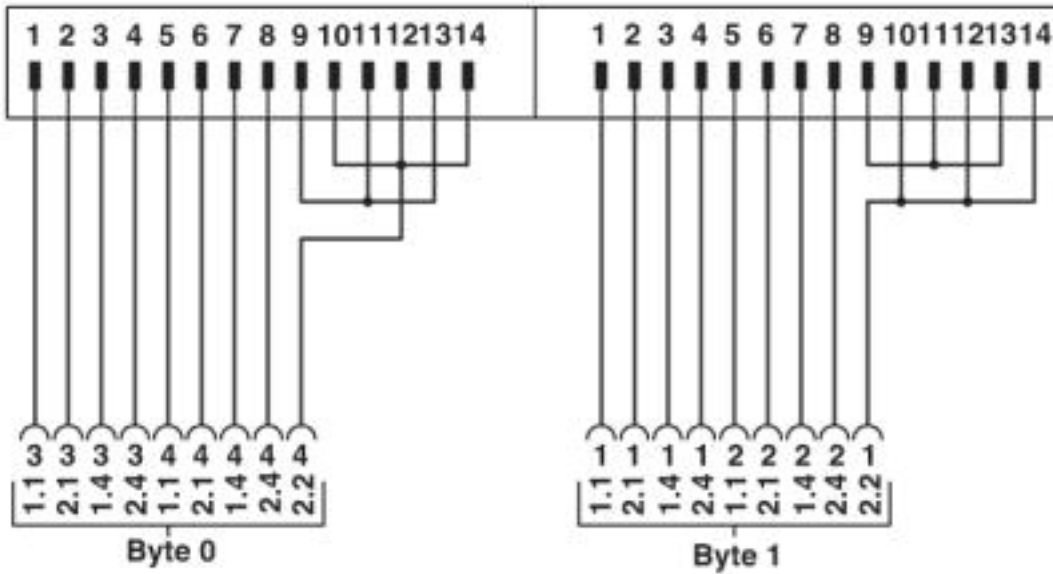
Drawings

Connection diagram



Front adapters - FLKM 14-PA-INLINE/OUT16 - 2302764

Circuit diagram



Connection scheme: FLKM 14-PA-INLINE/OUT16

© Phoenix Contact 2013 - all rights reserved
<http://www.phoenixcontact.com>