

## Distributed I/O device - FLM DO 8 M8 - 2736893

Please be informed that the data shown in this PDF Document is generated from our Online Catalog. Please find the complete data in the user's documentation. Our General Terms of Use for Downloads are valid (<http://download.phoenixcontact.com>)



The space-saving local bus device is particularly suitable for use in close proximity to the process. Functions: 8 digital outputs each with a load capacity of 500 mA, channel-specific diagnostics, short-circuit and overload protection, M8 connection method.

### Product Description

The device is designed for use in the Fieldline Modular M8 local bus, which is opened by a Fieldline or Inline bus coupler. It is used to acquire and output digital signals.

### Product Features

- Can also be connected to an Inline station
- Optimized for 30 mm mounting profile
- Short-circuit and overload protection
- Diagnostic and status indicators
- Consistent connection via M8 connectors

### Key commercial data

<b>package_quantity</b>	1
<b>GTIN</b>	4046356470575

### Technical data

Note:

<b>Utilization restriction</b>	EMC: class A product, see manufacturer's declaration in the download area
--------------------------------	---

### Dimensions

<b>Width</b>	29.8 mm
<b>Height</b>	143 mm
<b>Depth</b>	26.5 mm
<b>Note on dimensions</b>	Length details incl. fixing clips
<b>Drill hole spacing</b>	133 mm

### Ambient conditions

<b>Ambient temperature (operation)</b>	-25 °C ... 60 °C
<b>Ambient temperature (storage/transport)</b>	-25 °C ... 85 °C
<b>Permissible humidity (operation)</b>	5 % ... 95 %
<b>Permissible humidity (storage/transport)</b>	10 % ... 95 %
<b>Air pressure (operation)</b>	80 kPa ... 106 kPa (up to 2000 m above sea level)
<b>Air pressure (storage/transport)</b>	70 kPa ... 106 kPa (up to 3000 m above sea level)

## Distributed I/O device - FLM DO 8 M8 - 2736893

### Technical data

#### Ambient conditions

Degree of protection	IP65/67
----------------------	---------

#### General

Weight	137 g
Mounting type	Wall mounting
Protection class	III, IEC 61140, EN 61140, VDE 0140-1
Test section	To I/O 500 V AC

#### Interfaces

Name	Fieldline local bus
Connection method	M8 connector
Designation connection point	Copper cable
Transmission speed	500 kBit/s
Number of positions	4

#### Power supply for module electronics

Connection method	M8 connector
Name	$U_L$
Number of positions	4
Supply voltage	24 V DC
Supply voltage range	18 V DC ... 30 V DC IEC 61131-2 (including ripple)
Supply current	3 A

#### Fieldline potentials

Voltage supply $U_L$	24 V DC
----------------------	---------

#### Digital outputs

Output name	Digital outputs
Connection method	M8 connector
Connection method	2, 3-wire
Number of outputs	8
Protective circuit	Short-circuit protection
Output voltage	24 V DC
Maximum output current per channel	500 mA

### classifications

#### eCl@ss

eCl@ss 4.0	27250302
eCl@ss 4.1	27250302
eCl@ss 5.0	27250302
eCl@ss 5.1	27242604
eCl@ss 6.0	27242604
eCl@ss 7.0	27242604

# Distributed I/O device - FLM DO 8 M8 - 2736893

## classifications

### eCl@ss

eCl@ss 8.0	27242604
------------	----------

### ETIM

ETIM 2.0	EC001430
ETIM 3.0	EC001599
ETIM 4.0	EC001599
ETIM 5.0	EC001599

### UNSPSC

UNSPSC 6.01	43172015
UNSPSC 7.0901	43201404
UNSPSC 11	43172015
UNSPSC 12.01	43201404
UNSPSC 13.2	43201404

## accessories

### Protective cap

PROT-M8 - 1682540



---

## Terminal marking

ZBF 8:UNBEDRUCKT - 0808781



---

## Data cable preassembled

SAC-4P-M 8MS/ 2,0-950 - 1543249



## Distributed I/O device - FLM DO 8 M8 - 2736893

accessories

---

SAC-4P-M 8MS/ 5,0-950 - 1543252



SAC-4P-M 8MS/10,0-950 - 1543265



SAC-4P-M 8MS/15,0-950 - 1543278



SAC-4P-M 8MS/20,0-950 - 1543281



SAC-4P- 2,0-950/M 8FS - 1543294



## Distributed I/O device - FLM DO 8 M8 - 2736893

### accessories

SAC-4P- 5,0-950/M 8FS - 1543304



SAC-4P-10,0-950/M 8FS - 1543317



SAC-4P-15,0-950/M 8FS - 1543320



SAC-4P-20,0-950/M 8FS - 1543333



SAC-4P-M 8MS/ 0,13-950/M 8FS - 1543346



SAC-4P-M 8MS/ 0,3-950/M 8FS - 1543511



## Distributed I/O device - FLM DO 8 M8 - 2736893

### accessories

---

SAC-4P-M 8MS/ 0,5-950/M 8FS - 1543524



SAC-4P-M 8MS/ 1,0-950/M 8FS - 1543537



SAC-4P-M 8MS/ 2,0-950/M 8FS - 1543359



SAC-4P-M 8MS/ 5,0-950/M 8FS - 1543362



SAC-4P-M 8MS/10,0-950/M 8FS - 1543375



## Distributed I/O device - FLM DO 8 M8 - 2736893

### accessories

SAC-4P-M 8MS/15,0-950/M 8FS - 1543388



SAC-4P-M 8MS/20,0-950/M 8FS - 1543391



### Sensor/actuator cable

SAC-4P- 2,0-PUR/M 8FS 0,34 - 1543582



SAC-4P- 5,0-PUR/M 8FS 0,34 - 1534818



SAC-4P-10,0-PUR/M 8FS 0,34 - 1543595



## Distributed I/O device - FLM DO 8 M8 - 2736893

### accessories

SAC-4P-15,0-PUR/M 8FS 0,34 - 1543605



SAC-4P-20,0-PUR/M 8FS 0,34 - 1543618



SAC-4P-M 8FS/.../... - 1697771



### Data cable by the meter

SAC-4P-950/... - 1543401



### Adapter

FLM ADAP M12/M8 - 2736961



### I/O component



## Distributed I/O device - FLM DO 8 M8 - 2736893

### accessories

IB IL 24 FLM-PAC - 2736903



---

### Circular connector (cable-side)

SACC-M 8MS-4CON-M-0,34-SH - 1542897



---

SACC-M 8FS-4CON-M-0,34-SH - 1542910



---

SACC-M 8FS-4PCON - 1506781

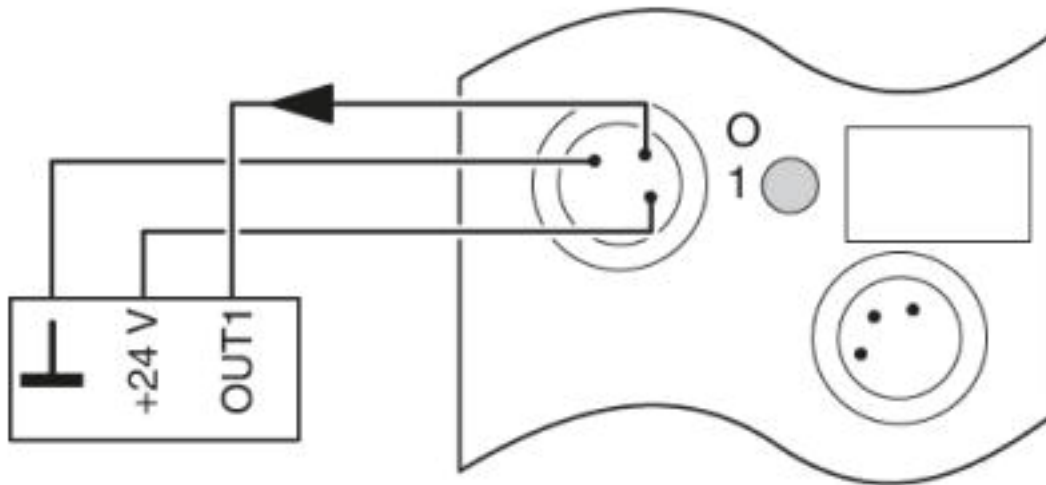


---

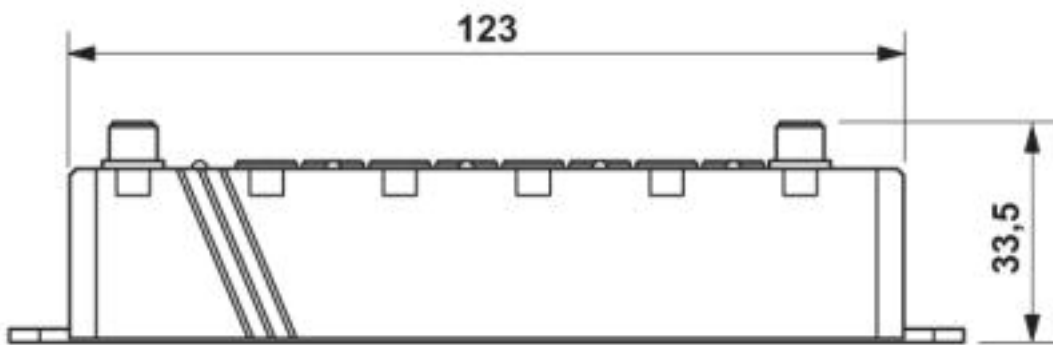
### Drawings

## Distributed I/O device - FLM DO 8 M8 - 2736893

Connection diagram



Dimensioned drawing



Side view (dimensions in mm)

© Phoenix Contact 2013 - all rights reserved  
<http://www.phoenixcontact.com>