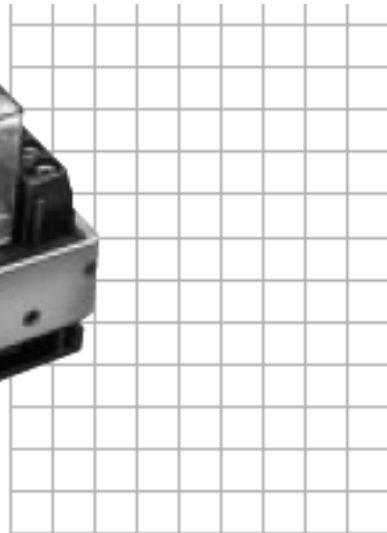
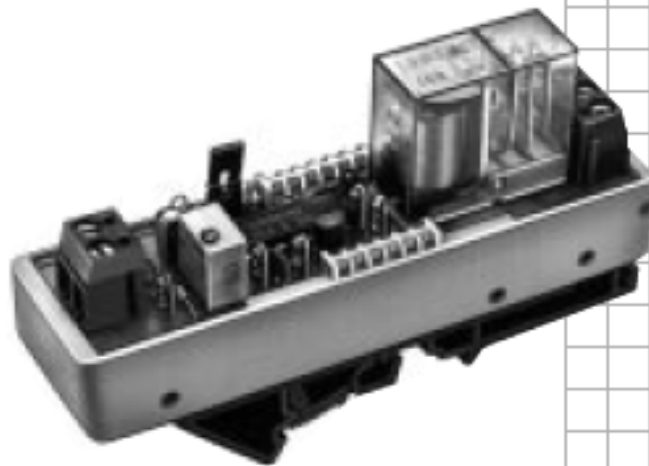


Delayed-action timer relay module

Order Number: 19 36 31 12V

Order Number: 19 36 40 24 V





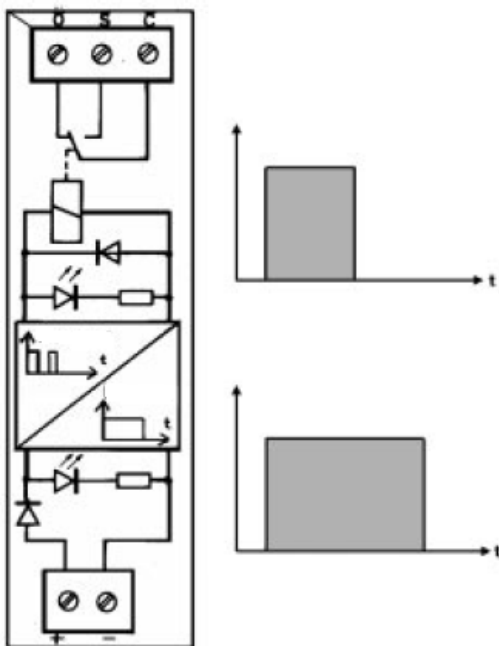
Attention! Read carefully!

The warranty claim shall lapse with damages caused due to failure to follow instructions.

This timer relay serves the purpose of switching on and off the devices. The timer is activated when the control voltage is supplied and is again deactivated after the course of easily adjustable interval time (switch off delay). If the coding plug is adjusted on switch on delay, then the set time progresses with the supply of operating voltage (Relay is still in idle position). The relay is activated after the course of delay time. The relay is again switched back to the idle position with any interruption in control voltage. The switch status (supplied control voltage, activated relay) is displayed via LEDs.

This article has been tested as per the EC guidelines 89/336/EEC (Electromagnetic Compatibility Law, dated, 09.11.1992) and complies with the statutory requirements. Technical data:

- Control voltage : 12, 24V= ± 10%
- Rated consumption : approx. 1 W
- Rated current : 12V 75 mA, 24 V approx. 40 mA
- Equipment : 1 Relay with 1 changeover contact
- Switch voltage : 250 V AC
- Rated current : 5 A
- Max. Switching output : (ohm load) 1100 VA~
(ohmic load in W)
24V = 120
48V = 75
20V = 30



INSTALLATION

The on and off switch delay time is set up with the help of a small screwdriver with P1 trimmer potentiometer.

PROGRAMMING Switching OFF delay

If the link plug is plugged in the 3-pin multi-pin connector at "AV" = switching off delay, then the relay is immediately activated with the supply of control voltage. The timer is deactivated after the

course of easily adjustable interval time without modifying the control voltage. If the supply of control voltage is interrupted before the course of adjusted switching time, then the relay switches back to its idle position.

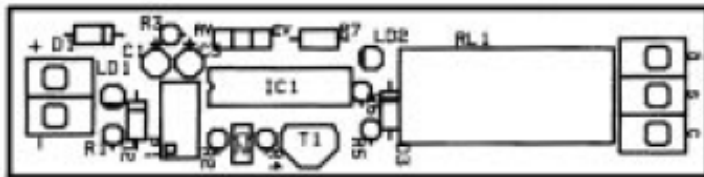
Switching ON delay

If the link plug is plugged in the 3-pin multi-pin connector at "EV" = switching on delay, then the relay is activated with the supply of control voltage and after the course of adjustable delay time and thereafter remains activated till the control voltage is interrupted.

C= as per connection

S= Closing contact

Ö= Break contact



OPERATING CONDITIONS

The permissible environment temperature (room temperature) must not exceed or fall below from -5 °C to + 60 °C while operating. With formation of condensation water, the acclimatization period may be extended (up to 2 hours). The module is designed for use in dry and clean rooms. You can use the module in any position. If the module is installed in housing, then you must ensure that it has air circulation on all sides. The ventilation slot should not be covered.

MALFUNCTION

It is presumed that, safe operation is no longer possible and therefore the module is shut down and is secured against unintentional use. This also applied to:

- If the module is visibly damaged
- If the module is no longer functional
- If the mains or other connection cables show visible damages.

GENERAL INSTRUCTIONS

The module has been tested at the factory and was dispatched in perfect condition. The operator must follow the instructions and warning notes mentioned in this user manual in order to ensure safe use. A 12 months performance warranty is provided for this module. For this purpose, it is required that no changes must have been made at the module. It is recommended that the module must be carefully packed for return consignment.

Any damages due to unsatisfactory packaging during transportation are excluded from the warranty. In case of a complaint, we request you to provide a brief description of the error; the repairing work is done without warranty if you do not provide us with an error report.

WARRANTY

We ensure 1 year warranty on the module. The warranty covers free rectification of error which can be proved as not caused due to the use of faulty material or manufacturing defect.

The warranty lapses:

- with modification and repairing attempts at the device
- with random modification in the circuit
- damages caused due to intervention by other persons
- damages caused by failure to follow operating instructions and the connection diagram
- connection to an improper voltage or current
- operating error or damages caused due to negligent use or misuse.

This module is to be operated by mains from the primary side (input side), therefore you must proceed with extreme caution since any contact with live parts can be extremely hazardous to life. The start-up operation may be done only if the circuit board is built-in the housing and is absolutely safe to touch.

Kindly comply with the relevant VDE regulations!

Finally, once again, we would like to explicitly mention that, a part of circuit may lead to lethal mains voltage and the connection as well as start-up must be only executed by experience persons who can be trusted for familiarity with the VDE as well as safety regulations on the basis of their training.

For our environment!



100% recycled paper

Subject to change without prior notice!

All rights, including translations are reserved. Reproduction of any kind, whether photocopy, microfilm or recording in data processing equipments may be done only with the permission of CONRAD ELECTRONIC GmbH.

© Copyright 1995 by CONRAD ELECTRONIC GmbH, 92240 Hirschau

*074-02-95/01-A