

I/O extension module - RAD-AO4-IFS - 2901538

Please be informed that the data shown in this PDF Document is generated from our Online Catalog. Please find the complete data in the user's documentation. Our General Terms of Use for Downloads are valid (<http://download.phoenixcontact.com>)



Analog I/O extension module with 4 analog current/voltage outputs (0/4 mA ... 20 mA, 0...10 V), with screw connection, incl. DIN rail connector

Product Features

- Channel-to-channel electrical isolation
- Extended temperature range, -40°C ... +70°C
- Easy module replacement even during operation (hot swap)
- Suitable for ATEX zone 2
- Easy startup via thumbwheel



Key commercial data

package_quantity	1
GTIN	4046356609166

Technical data

Note:

Utilization restriction	EMC: class A product, see manufacturer's declaration in the download area
-------------------------	---

Dimensions

Width	17.5 mm
Height	99 mm
Depth	114.5 mm

Ambient conditions

Degree of protection	IP20
Ambient temperature (operation)	-40 °C ... 70 °C (>55°C Derating)
Ambient temperature (operation)	-40 °F ... 158 °F (>131°F derating)
Ambient temperature (storage/transport)	-40 °C ... 85 °C
Ambient temperature (storage/transport)	-40 °F ... 185 °F
Permissible humidity (operation)	20 % ... 85 %
Permissible humidity (storage/transport)	20 % ... 85 %
Altitude	2000 m

I/O extension module - RAD-AO4-IFS - 2901538

Technical data

Ambient conditions

Vibration (operation)	In accordance with IEC 60068-2-6: 5 g, 10 Hz - 150 Hz
Shock	16 g, 11 ms

General

Surge voltage category	II
Mounting position	Any
Assembly instructions	on standard DIN rail NS 35 in accordance with EN 60715
Pollution degree	2
Housing material	PA 6.6-FR
Inflammability class according to UL 94	V0
MTTF	999 Years (Telcordia standard, 25°C temperature, 21% operating cycle (5 days a week, 8 hours a day))
MTTF	404 Years (Telcordia standard, 40°C temperature, 34.25% operating cycle (5 days a week, 12 hours a day))
MTTF	156 Years (Telcordia standard, temperature 40°C, operating cycle 100% (7 days a week, 24 hours a day))

Supply

Supply voltage range	19.2 V DC ... 30.5 V DC (T-connector)
Max. current consumption	max. 115 mA (At 24 V DC, at 25°C)
Transient surge protection	Yes

Analog outputs

Number of outputs	4
Voltage output signal	0 V ... 10 V
Max. voltage output signal	approx. 10.83 V
Load	≥ 10 kΩ
Precision	typ. 0.5 % (Voltage output)
Current output signal	0 mA ... 20 mA
Current output signal	4 mA ... 20 mA
Max. current output signal	approx. 21.67 mA
Load	≤ 500 Ω
Precision	≤ 0.02 % (@25°C)
Resolution	16 bit
Temperature coefficient, typical	0.0025 %/K (At -40°C...+70°C)
Behavior of the outputs (adjustable via DIP switch)	Hold / Reset
Protective circuit	Transient protection of outputs

Electrical isolation

Analog I/O	50 V (Rated insulation voltage (in each case between the TBUS analog outputs / supply, reinforced insulation according to EN 61010))
-------------------	--

Test voltage

Analog I/O	1.5 kV AC (50 Hz, 1 min.)
-------------------	---------------------------

I/O extension module - RAD-AO4-IFS - 2901538

Technical data

Connection data

Connection method	Screw connection
Conductor cross section solid min.	0.2 mm ²
Conductor cross section solid max.	2.5 mm ²
Conductor cross section stranded min.	0.2 mm ²
Conductor cross section stranded max.	2.5 mm ²
Conductor cross section AWG/kcmil min.	24
Conductor cross section AWG/kcmil max	14
Stripping length	7 mm
Tightening torque	0.6 Nm
Screw thread	M3

Status indicator

Status display	Green LED (supply voltage, PWR)
Status display	Green LED (bus communication, DAT)
Status display	Red LED (periphery error, ERR)

Approvals and conformance

Conformance	CE-compliant
ATEX	# II 3 G Ex nA IIC T4 Gc X
IECEX	Ex nA IIC T4 Gc
UL, USA / Canada	UL 508 Listed
Standard designation	EMC Directive 2004/108/EC
Standards/regulations	EN 61000-6-2
Standard designation	EMC Directive 2004/108/EC
Standards/regulations	EN 61000-6-4
Standard designation	Ex Directive (ATEX)
Standards/regulations	EN 60079-0
Standard designation	Ex Directive (ATEX)
Standards/regulations	EN-60079-15

classifications

eCl@ss

eCl@ss 4.0	27230207
eCl@ss 4.1	27230207
eCl@ss 5.0	27230207
eCl@ss 5.1	27242208
eCl@ss 6.0	27242208
eCl@ss 7.0	27242208
eCl@ss 8.0	27242208

ETIM

ETIM 3.0	EC001423
----------	----------

I/O extension module - RAD-AO4-IFS - 2901538

classifications

ETIM

ETIM 4.0	EC000310
ETIM 5.0	EC000310

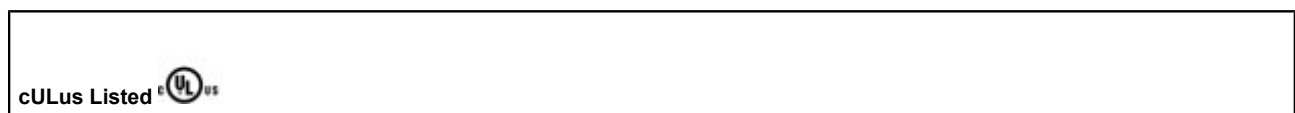
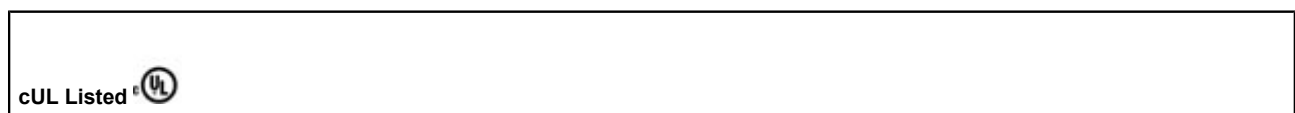
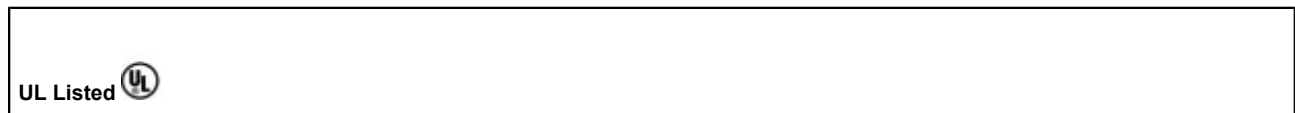
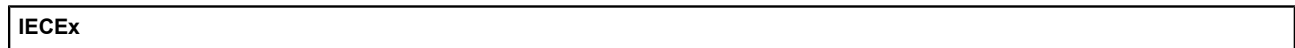
UNSPSC

UNSPSC 6.01	30211506
UNSPSC 7.0901	43223108
UNSPSC 11	39121008
UNSPSC 12.01	43223108
UNSPSC 13.2	43223108

approvals

ATEX / IECEx / UL Listed / cUL Listed / cULus Listed /

Approval details



accessories

Trusted Wireless device

I/O extension module - RAD-AO4-IFS - 2901538

accessories

RAD-2400-IFS - 2901541



RAD-900-IFS - 2901540



DIN rail connector

ME 17,5 TBUS 1,5/ 5-ST-3,81 GN - 2709561



Extension module

RAD-AI4-IFS - 2901537



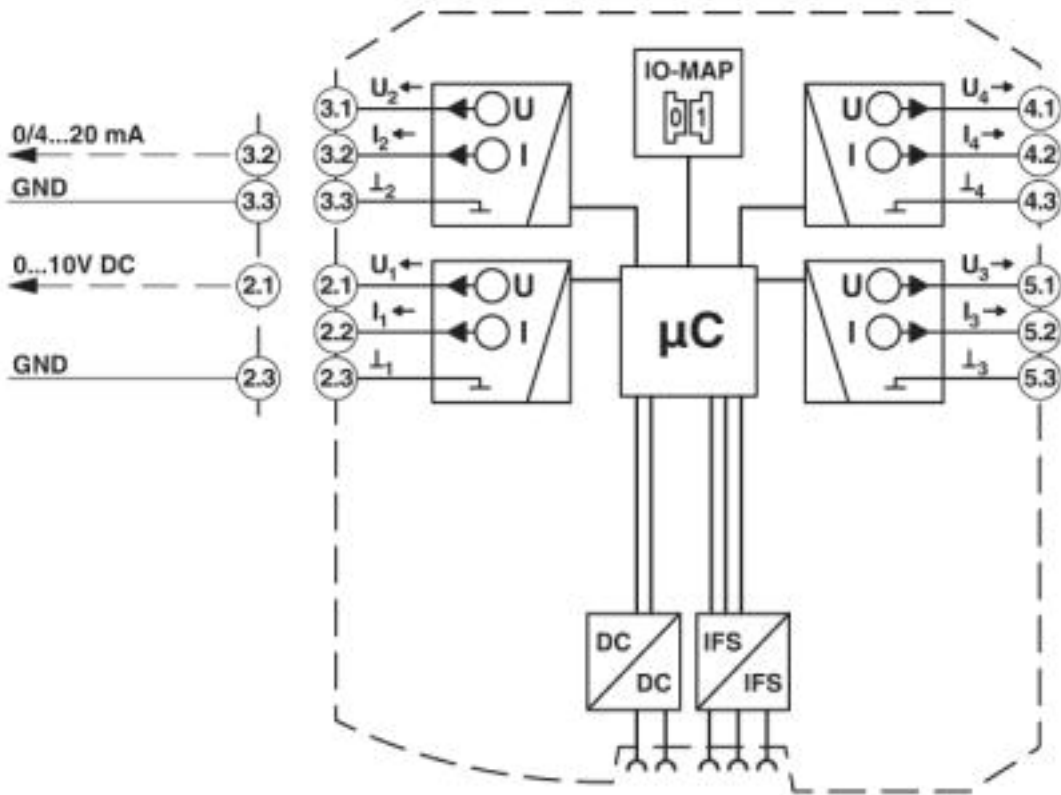
RAD-PT100-4-IFS - 2904035



Drawings

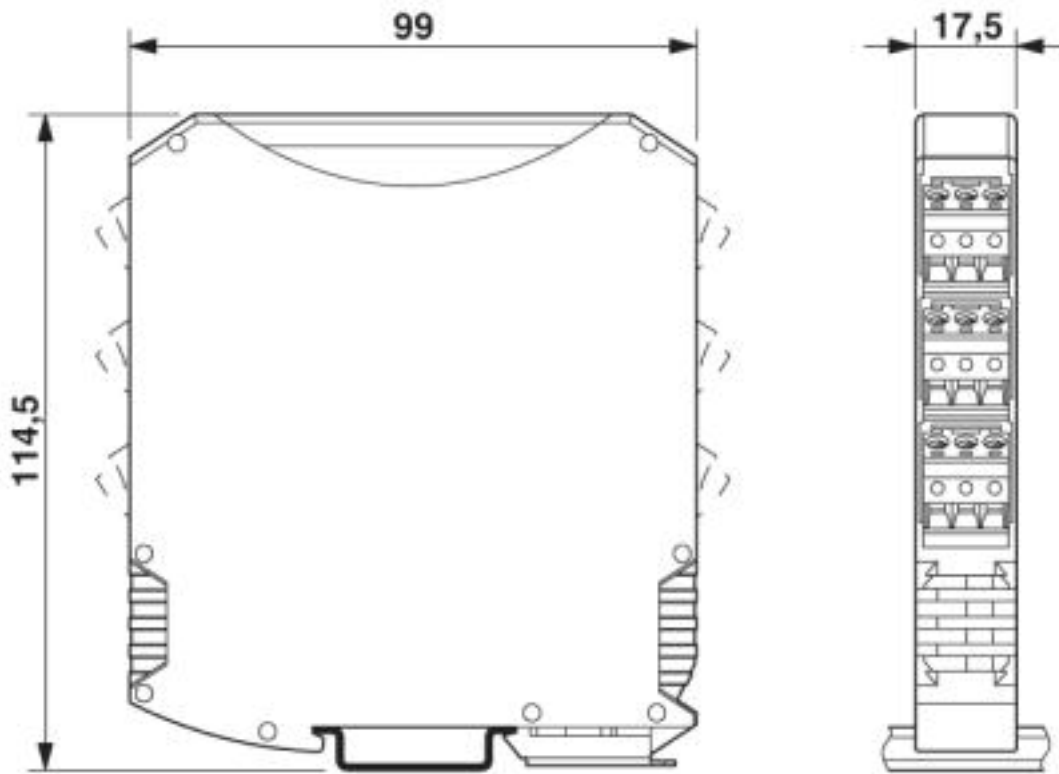
I/O extension module - RAD-AO4-IFS - 2901538

Block diagram



I/O extension module - RAD-AO4-IFS - 2901538

Dimensioned drawing



© Phoenix Contact 2013 - all rights reserved
<http://www.phoenixcontact.com>