

Antenna - RAD-ISM-2400-ANT-VAN-3-0-RSMA - 2701358

Please be informed that the data shown in this PDF Document is generated from our Online Catalog. Please find the complete data in the user's documentation. Our General Terms of Use for Downloads are valid (<http://download.phoenixcontact.com>)



Omnidirectional antenna with protection against vandalism, 2.4 GHz, 3 dBi gain, IP55 degree of protection, 1.5 m cable length, RSMA connection (male), h/v 360°/85° apex angle. Appropriate mounting material is available for wall mounting.

Product Features

- Version with higher impact strength that is not immediately recognizable as an antenna
- Omnidirectional antennas to increase gain

Key commercial data

package_quantity	1
GTIN	4046356741750

Technical data

Dimensions

Width	86 mm
Height	43 mm

Ambient conditions

Degree of protection	IP55
Ambient temperature (operation)	-40 °C ... 80 °C
Ambient temperature (storage/transport)	-40 °C ... 80 °C

General

Frequency range	2.4 GHz
Frequency range	2.4 GHz
Horizontal beamwidth	360 °
Vertical beamwidth	85 °
Impedance	50 Ω
Gain	3 dBi
Wind velocity	160 km/h (Has a force of 10 N)
Connection method	RSMA (male)
Material	ASA (Antenna housing)

classifications

eCl@ss

eCl@ss 4.0	27250312
-------------------	----------

Antenna - RAD-ISM-2400-ANT-VAN-3-0-RSMA - 2701358

classifications

eCl@ss

eCl@ss 4.1	27250312
eCl@ss 5.0	19070102
eCl@ss 5.1	19070102
eCl@ss 6.0	19070102
eCl@ss 7.0	19070102
eCl@ss 8.0	19070102

ETIM

ETIM 2.0	EC000416
ETIM 3.0	EC001698
ETIM 4.0	EC001698
ETIM 5.0	EC001698

UNSPSC

UNSPSC 6.01	43171611
UNSPSC 7.0901	43221706
UNSPSC 11	43171611
UNSPSC 12.01	43221706
UNSPSC 13.2	43221706

accessories

Mounting material

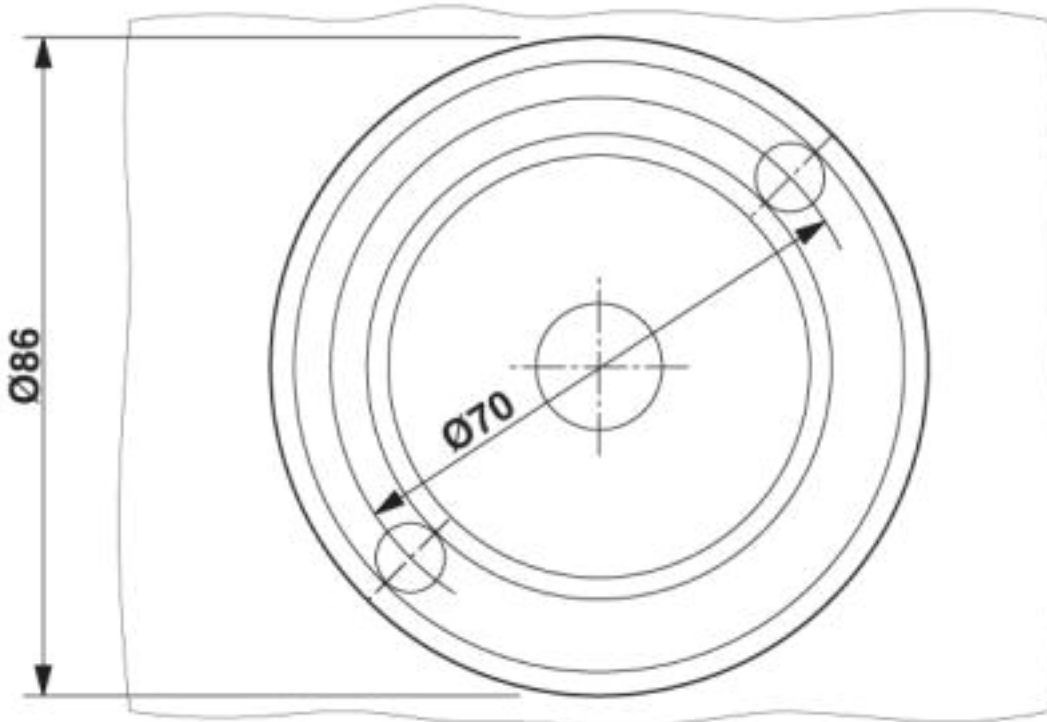
RAD-ANT-VAN-MKT - 2885870



Drawings

Antenna - RAD-ISM-2400-ANT-VAN-3-0-RSMA - 2701358

Drilling diagram



Dimensioned drawing

