

Inline function terminal - IB IL DALI-PAC - 2897910

Please be informed that the data shown in this PDF Document is generated from our Online Catalog. Please find the complete data in the user's documentation. Our General Terms of Use for Downloads are valid (<http://download.phoenixcontact.com>)



1-channel DALI master; extension for IB IL DALI/PWR-PAC

Product Description

The terminal is designed for use within an Inline station. It represents a DALI master which can control up to 63 DALI control gears. The IB IL DALI-PAC is an extension terminal for the IB IL DALI/PWR-PAC. Up to 3 IB IL DALI-PAC can be connected downstream of the IB IL DALI/PWR-PAC.

Product Features

- DALI master without integrated DALI bus supply
- DALI bus protected against unintentional connection of mains voltage (up to 250 V AC)
- Diagnostic and status indicators

Key commercial data

package_quantity	1
GTIN	4046356133074

Technical data

Dimensions

Width	12.2 mm
Height	119.8 mm
Depth	71.5 mm
Note on dimensions	Housing dimensions

Ambient conditions

Ambient temperature (operation)	-25 °C ... 55 °C
Ambient temperature (storage/transport)	-25 °C ... 85 °C
Permissible humidity (operation)	0 % ... 85 % (without condensation)
Permissible humidity (storage/transport)	0 % ... 85 % (slight temporary condensation may sometimes appear on the housing)
Air pressure (operation)	80 kPa ... 106 kPa (up to 2000 m above sea level)
Air pressure (storage/transport)	70 kPa ... 106 kPa (up to 3000 m above sea level)
Degree of protection	IP20

Interfaces

Name	Inline local bus
Connection method	Inline data jumper

Inline function terminal - IB IL DALI-PAC - 2897910

Technical data

Interfaces

Transmission speed	500 kBit/s
---------------------------	------------

Power supply for module electronics

Connection method	via potential routing
Connection method	Inline potential jumper
Supply voltage	24 V DC (nominal value)
Supply voltage range	19.2 V DC ... 30 V DC
Communications power U_L	7.5 V (via voltage jumper)

General

Weight	57 g
Note on weight specifications	with male connectors
Mounting type	DIN rail
Protection class	III, IEC 61140, EN 61140, VDE 0140-1

Inline potentials

Communications power U_L	7.5 V
Current consumption from U_L	≤ 38 mA

classifications

eCl@ss

eCl@ss 4.0	27250203
eCl@ss 4.1	27250203
eCl@ss 5.0	27250203
eCl@ss 5.1	27242608
eCl@ss 6.0	27242608
eCl@ss 7.0	27242608
eCl@ss 8.0	27242608

ETIM

ETIM 2.0	EC001434
ETIM 3.0	EC001604
ETIM 4.0	EC001601
ETIM 5.0	EC001604

UNSPSC

UNSPSC 6.01	43172015
UNSPSC 7.0901	43201404
UNSPSC 11	43172015
UNSPSC 12.01	43201404
UNSPSC 13.2	43201404

Inline function terminal - IB IL DALI-PAC - 2897910

accessories

Labeling panel

IB IL FIELD 2 - 2727501



IB IL FIELD 8 - 2727515



Terminal marking

ESL 62X10 - 0809492



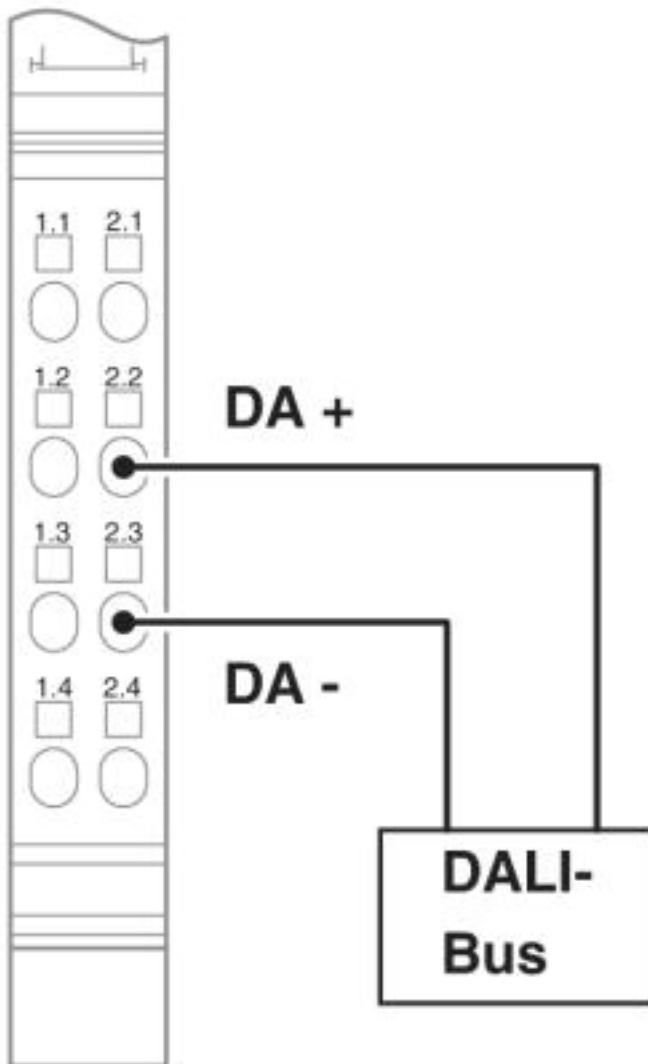
ESL 62X46 - 0809502



Drawings

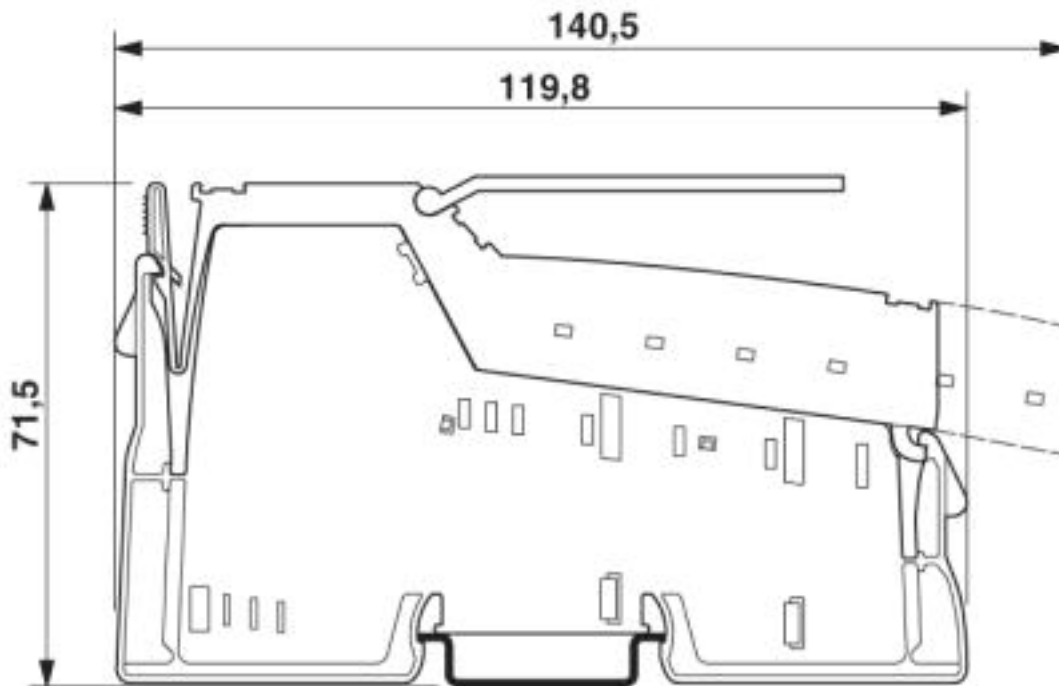
Inline function terminal - IB IL DALI-PAC - 2897910

Connection diagram



Inline function terminal - IB IL DALI-PAC - 2897910

Dimensioned drawing



© Phoenix Contact 2013 - all rights reserved
<http://www.phoenixcontact.com>