

## Front adapters - FLKM 14-PA-INLINE/32 - 2302777

Please be informed that the data shown in this PDF Document is generated from our Online Catalog. Please find the complete data in the user's documentation. Our General Terms of Use for Downloads are valid (<http://download.phoenixcontact.com>)



VARIOFACE front adapter for Inline modules, for transferring 32 (4 x 8) digital signals.

### Key commercial data

|                  |               |
|------------------|---------------|
| package_quantity | 1             |
| GTIN             | 4017918929466 |

### Technical data

#### General

|                                 |                             |
|---------------------------------|-----------------------------|
| Nominal voltage $U_N$           | 60 V DC                     |
| Max. permissible current        | 1 A (per path)              |
| Channels which can be connected | 32                          |
| Connection type, connector      | IDC/FLK pin strip (2.54 mm) |
| Number of connectors            | 4                           |
| No. of positions, connector     | 14                          |
| Mounting position               | Any                         |
| Standards/regulations           | IEC 60664                   |
| Standards/regulations           | DIN EN 50178                |
| Standards/regulations           | IEC 62103                   |

#### Ambient conditions

|   |                  |
|---|------------------|
| Ambient temperature (operation)         | -20 °C ... 50 °C |
| Ambient temperature (storage/transport) | -20 °C ... 70 °C |

#### Supported controller

|                     |                        |
|---------------------|------------------------|
| Control             | PHOENIX CONTACT Inline |
| - suitable I/O card | IB IL 24 DI 32/HD-PAC  |
| - suitable I/O card | IB IL 24 DO 32/HD-PAC  |

### classifications

#### eCl@ss

|            |          |
|------------|----------|
| eCl@ss 4.0 | 27250313 |
| eCl@ss 4.1 | 27250313 |
| eCl@ss 5.0 | 27250313 |

# Front adapters - FLKM 14-PA-INLINE/32 - 2302777

## classifications

### eCl@ss

|            |          |
|------------|----------|
| eCl@ss 5.1 | 27250313 |
| eCl@ss 6.0 | 27242208 |
| eCl@ss 7.0 | 27242208 |
| eCl@ss 8.0 | 27242208 |

### ETIM

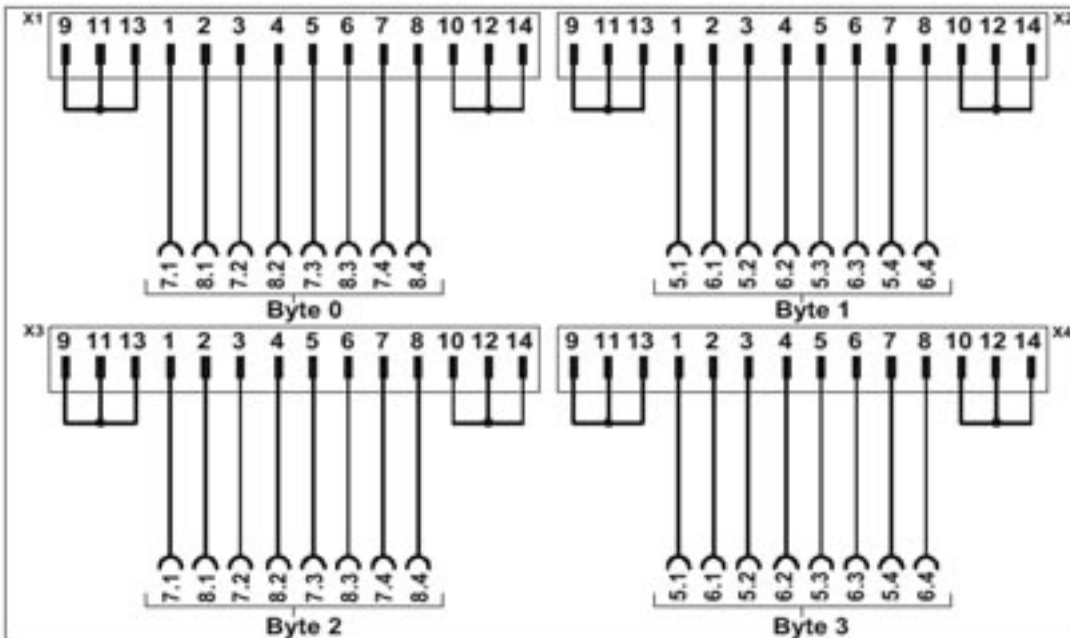
|          |          |
|----------|----------|
| ETIM 2.0 | EC001423 |
| ETIM 3.0 | EC001423 |
| ETIM 4.0 | EC001423 |
| ETIM 5.0 | EC002584 |

### UNSPSC

|               |          |
|---------------|----------|
| UNSPSC 6.01   | 30211824 |
| UNSPSC 7.0901 | 39121402 |
| UNSPSC 11     | 39121402 |
| UNSPSC 12.01  | 39121402 |
| UNSPSC 13.2   | 39121402 |

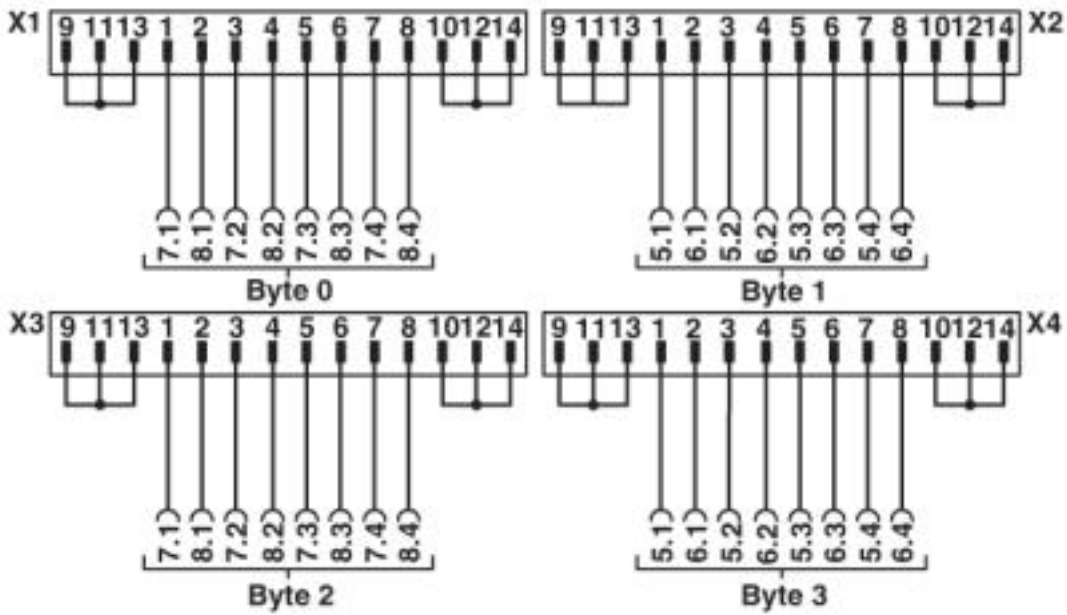
## Drawings

### Connection diagram



# Front adapters - FLKM 14-PA-INLINE/32 - 2302777

Circuit diagram



Connection scheme: FLKM 14-PA-INLINE/32

© Phoenix Contact 2013 - all rights reserved  
<http://www.phoenixcontact.com>