

FO PCB terminal block - FOPT 2,2-R - 1907924

Please be informed that the data shown in this PDF Document is generated from our Online Catalog. Please find the complete data in the user's documentation. Our General Terms of Use for Downloads are valid (<http://download.phoenixcontact.com>)



PCB terminal block, Pitch: 10.16 mm, Number of positions: 1, Connection method: Spring-cage conn., Mounting: Soldering, Conductor/PCB connection direction: 0 °, Color: black, Black, shielded housing with receive diode / optic fibers can be connected: Polymer fiber (in acc. with IEC 60793-2 type A4a, diameter outer sheath 2.2 mm) / data rate: 5 Mbps / transmission distance max. 50 m / detailed data sheet available on request

Product Features

- More user friendly thanks to direct plug-in technology with release button
- Bend protection sleeve supplied as standard
- Stability thanks to additional strain relief
- Connection without fiber pretreatment, easy cutting using IBS RL FOC fiber cutter
- Integrated transmit and receive diode

Key commercial data

package_quantity	10
GTIN	4017918606572

Technical data

Dimensions

Pitch	10.16 mm
--------------	----------

General

Range of articles	FOPT
Connection in acc. with standard	EN-VDE
Nominal cross section	0 mm ²
Solder pin surface	Sn
Inflammability class according to UL 94	HB
Number of positions	1

classifications

eCl@ss

eCl@ss 4.0	272607xx
eCl@ss 4.1	27260701
eCl@ss 5.0	27260701
eCl@ss 5.1	27260701
eCl@ss 6.0	27260704
eCl@ss 7.0	27440402

FO PCB terminal block - FOPT 2,2-R - 1907924

classifications

eCl@ss

eCl@ss 8.0	27440402
------------	----------

ETIM

ETIM 3.0	EC001121
ETIM 4.0	EC002637
ETIM 5.0	EC002643

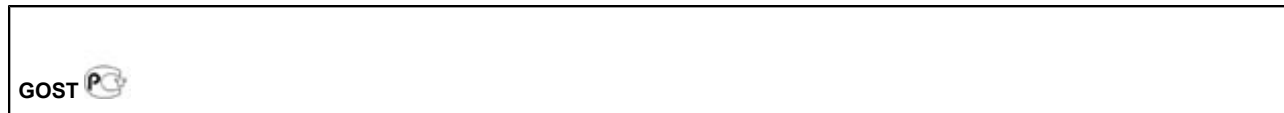
UNSPSC

UNSPSC 6.01	30211832
UNSPSC 7.0901	39121429
UNSPSC 11	39121429
UNSPSC 12.01	39121429
UNSPSC 13.2	39121429

approvals

GOST / GOST /

Approval details



accessories

Screwdriver tools

SZF 0-0,4X2,5 - 1204504



Assembly tool

FO PCB terminal block - FOPT 2,2-R - 1907924

accessories

IBS RL FOC - 2725147



Data cable by the meter

PSM-LWL-KDL-980/1000 - 2799283



PSM-LWL-KDHEAVY-980/1000 - 2744319



PSM-LWL-RUGGED-980/1000 - 2744322



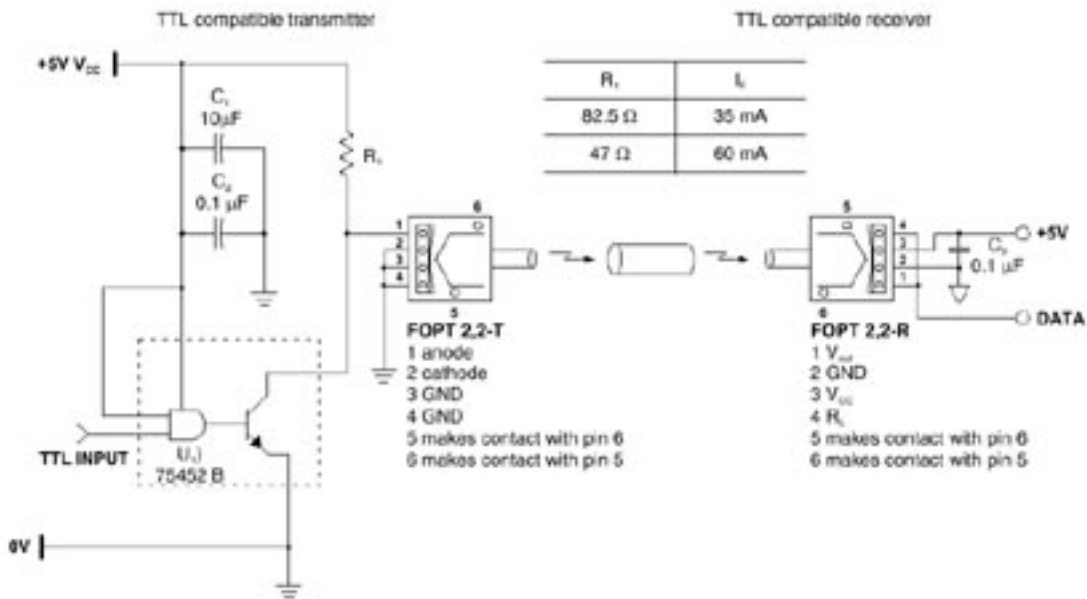
PSM-LWL-RUGGED-FLEX-980/1000 - 2744335



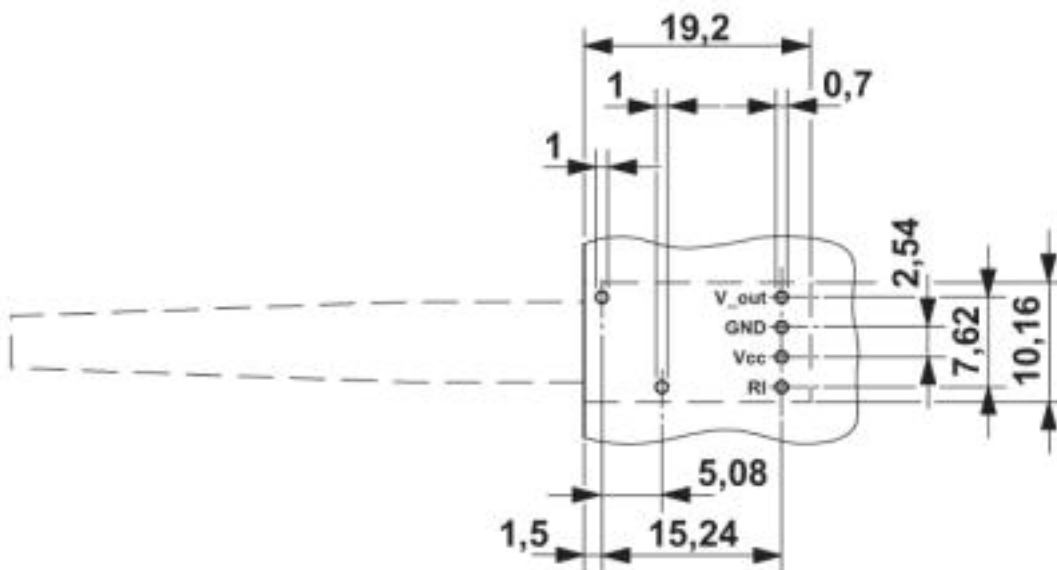
Drawings

FO PCB terminal block - FOPT 2,2-R - 1907924

Block diagram

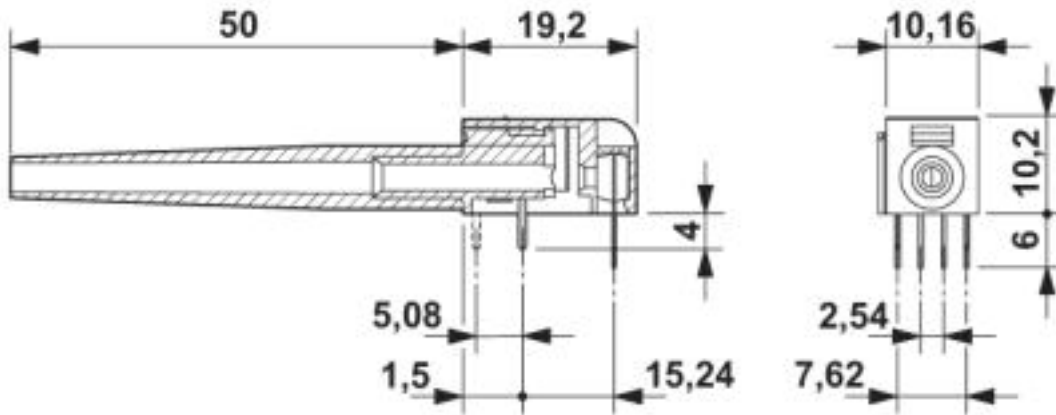


Drilling diagram



FO PCB terminal block - FOPT 2,2-R - 1907924

Dimensioned drawing



Circuit diagram

