

**JUMO GmbH & Co. KG**

Delivery address: Mackenrodtstraße 14,  
36039 Fulda, Germany  
Postal address: 36035 Fulda, Germany  
Phone: +49 661 6003-0  
Fax: +49 661 6003-607  
E-mail: mail@jumo.net  
Internet: www.jumo.net

**JUMO Instrument Co. Ltd.**

JUMO House  
Temple Bank, Riverway  
Harlow - Essex CM20 2DY, UK  
Phone: +44 1279 63 55 33  
Fax: +44 1279 63 52 62  
E-mail: sales@jumo.co.uk  
Internet: www.jumo.co.uk

**JUMO Process Control, Inc.**

8 Technology Boulevard  
Canastota, NY 13032, USA  
Phone: 315-697-JUMO  
1-800-554-JUMO  
Fax: 315-697-5867  
E-mail: info@jumo.us  
Internet: www.jumo.us



## Built-in thermostats

### JUMO heatTHERM, type 602030 and 602031

#### Particularities

- Stable switch point position due to ambient temperature compensation (serial)
- max. contact rating 16 A, 400 V
- Service life, at least 250,000 switching cycles for TR and TW
- Control ranges of up to 500°C are possible
- STB with extensive setting range: 250K to 250°∠
- Switch point deviation during the entire service life of max. ± 5%

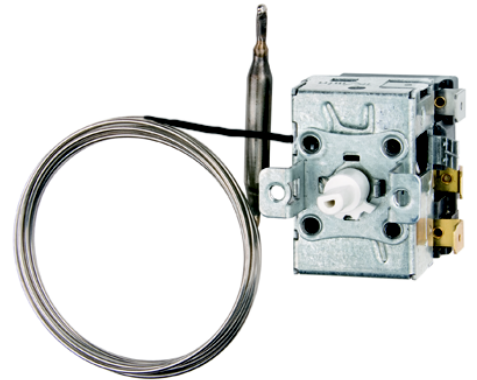
#### Brief description

Thermostats are used to control and monitor thermal processes.

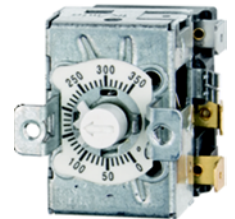
The JUMO heatTHERM is available as temperature controller TR, temperature monitor TW (type 602030), safety temperature monitor STW or safety temperature limiter STB (type 602031).

The built-in thermostat operates according to the fluid expansion principle. The electrical switching element is a snap switch.

The built-in thermostat meets the RoHS and is cadmium-free.



Type 602030 / 01



Type 602030 / 02

Type 602030 / 20  
Type 602031 / 21Type 602030 / 80  
Type 602031 / 81

#### Approval/approval marks (see Technical Data)



DGRL  
97/23/EG



**JUMO GmbH & Co. KG**

Delivery address: Mackenrodtstraße 14,  
36039 Fulda, Germany  
Postal address: 36035 Fulda, Germany  
Phone: +49 661 6003-0  
Fax: +49 661 6003-607  
E-mail: mail@jumo.net  
Internet: www.jumo.net

**JUMO Instrument Co. Ltd.**

JUMO House  
Temple Bank, Riverway  
Harlow - Essex CM20 2DY, UK  
Phone: +44 1279 63 55 33  
Fax: +44 1279 63 52 62  
E-mail: sales@jumo.co.uk  
Internet: www.jumo.co.uk

**JUMO Process Control, Inc.**

8 Technology Boulevard  
Canastota, NY 13032, USA  
Phone: 315-697-JUMO  
1-800-554-JUMO  
Fax: 315-697-5867  
E-mail: info@jumo.us  
Internet: www.jumo.us



## Technical Data

### Switching function

<b>Temperature controller TR / temperature monitor TW</b>	If the temperature exceeds the set point value set on the temperature probe, the micro switch will be tripped via the transmission mechanics and the current circuit opened or closed. The micro switch is reset to its original status once the set point value set is gone below (by the hysteresis).
<b>Safety temperature monitor STW</b>	<p>If the temperature exceeds the set point value set on the temperature probe, the snap switch will be tripped and the current circuit opened or closed. The snap switch is reset to its original status once the set point value set is gone below (by the hysteresis).</p> <p>If the probe has cooled down to a temperature below approx. -20°C, the current circuit opens, however, automatically closes again, when the temperature rises.</p> <p>If the measuring system is destroyed, i.e. if the expansion fluid emerges, the pressure in the diaphragm drops and permanently opens the current circuit.</p>
<b>Safety temperature limiter STB with restart lock and self-monitoring</b>	<p>If the temperature exceeds the switching point set on the temperature probe, the snap switch is tripped, the current circuit opened and the snap switch mechanically locked.</p> <p>The snap switch can be manually unlocked again once the switching point temperature has gone below by approx. 10K.</p> <p>If the probe has cooled down to a temperature below approx. -20°C, the current circuit opens, however, automatically closes again, when the temperature rises.</p> <p>If the measuring system is destroyed, i.e. if the expansion fluid emerges, the pressure in the diaphragm drops and permanently opens the current circuit. Unlocking is impossible.</p>

### Temperature compensation

When the ambient temperature on the switch head and the long-distance line deviates from the calibration ambient temperature +22°C, a switch point offset occurs. This switching point offset is minimized due to the temperature compensation.

**JUMO GmbH & Co. KG**  
 Delivery address: Mackenrodtstraße 14,  
 36039 Fulda, Germany  
 Postal address: 36035 Fulda, Germany  
 Phone: +49 661 6003-0  
 Fax: +49 661 6003-607  
 E-mail: mail@jumo.net  
 Internet: www.jumo.net

**JUMO Instrument Co. Ltd.**  
 JUMO House  
 Temple Bank, Riverway  
 Harlow - Essex CM20 2DY, UK  
 Phone: +44 1279 63 55 33  
 Fax: +44 1279 63 52 62  
 E-mail: sales@jumo.co.uk  
 Internet: www.jumo.co.uk

**JUMO Process Control, Inc.**  
 8 Technology Boulevard  
 Canastota, NY 13032, USA  
 Phone: 315-697-JUMO  
 1-800-554-JUMO  
 Fax: 315-697-5867  
 E-mail: info@jumo.us  
 Internet: www.jumo.us



## Technical Data

### Case

<b>Case</b>	Sheet steel, galvanized
<b>Protection type</b>	IP 00 as per EN 60 529
<b>Switching socket</b>	Polyester resin molding compound, black
<b>max. admissible ambient temperature</b>	for transport and storage: -50...+50°C during use: max. +80°C
<b>Rated position</b>	any
<b>Weight</b>	approx. 0.12 kg
<b>Long-distance line</b>	2000 mm incl. 460 mm protective hose as standard, min. bending radius of the long-distance line 5 mm Material No. Cu-DHP

### Electrical data

<b>Electric contact</b>	Snap switch with single-pole change-over contact		
<b>Contact rating</b>	TR / TW	STW	STB
	On the N/C contact (contact deck 1-2): AC 400 V +10%, 16 A, AC 230 V +10%, 16 (2.5) A, cos φ = 1 (0.6), DC 230 V +10%, 0.25 A		
<b>Contact rating</b>	On the N/O contact (contact deck 1-4): AC 400 V +10%, 6.3 A, AC 230 V +10%, 6.3 (2.5) A, cos φ = 1 (0.6), DC 230 V +10%, 0.25 A		On the signal contact (contact deck 1-4): AC 400 V +10%, 2 A, AC 230 V +10%, 2 (0.4) A, cos φ = 1 (0.6), DC 230 V +10%, 0.25 A
	Snap switch, gold-plated - Extra code 702: AC / DC 24 V, 0,1A		
<b>Electrical connection</b>	A 6.3-0.8 as per DIN 46244		
<b>Switching reliability</b>	To ensure a high switching reliability, we recommend a minimum load of: AC / DC = 24 V, 100 mA with silver contacts AC / DC = 10 V, 5 mA with gold-plated contacts (TZ 702)		

	Switching function	Rated value			
<b>Hysteresis in % from the control range</b>	TR / TW	2.5%	serial		
	TR / TW	7%	on request		
	STW	7%	serial		
<b>Ambient temperature influence</b>	When the ambient temperature on the switch head and the long-distance line deviates from the calibration ambient temperature +22°C, a switch point offset of approx. -0.1 K/K occurs.				
<b>Switching point accuracy</b>	TR / TW	Hysteresis	Scale beginning	upper third	
		2.5%	± 6%	± 3%	
		7%	± 8%	± 4%	
	STW / STB	7%	Control range	in the "first half"	in the "second half"
			+70...130°C	+0/-12 K	+0/-5 K
			+95...120°C	+0/-5 K	+0/-5 K
			+20...150°C	+0/-20 K	+0/-10 K
	+50...300°C	+0/-30 K	+0/-15 K		

### Approval/approval marks

Approval marks	Inspection authority	Certificates / Inspection number	Inspection basics	valid for
DIN	DIN CERTCO / TÜV Süd	STB116907	DIN EN 14597	heatTHERM (STB)
DIN	DIN CERTCO / TÜV Süd	STW(STB)119007	DIN EN 14597	heatTHERM (STW(STB))
c UL us	UL Germany	E66358 Vol. 1, Sec. 7	UL 873	heatTHERM
c UL us	UL Germany	MH45736 Vol. 1, Sec. 1	UL 353	heatTHERM (STB)
DGRL	TÜV Germany	IS-TAF-MUC 07113377017	97/23/EC	heatTHERM (STW/STB)
DIN	TÜV Germany	TR116807	97/23/EC	heatTHERM (TR)
DIN	TÜV Germany	TW118507	97/23/EC	heatTHERM (TW)

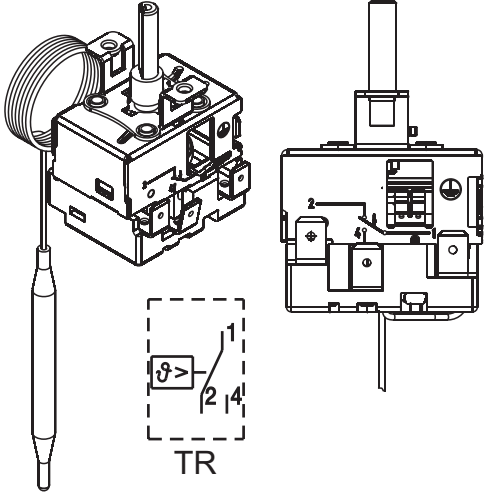
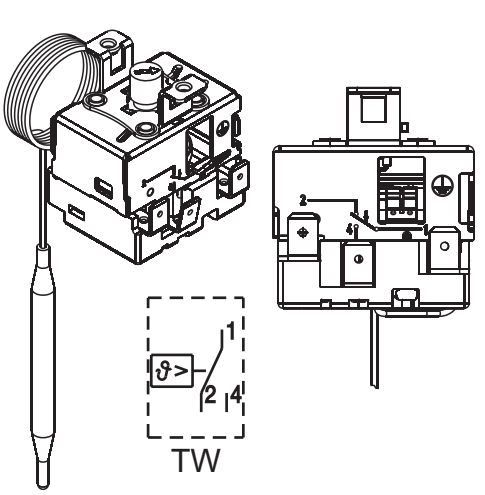
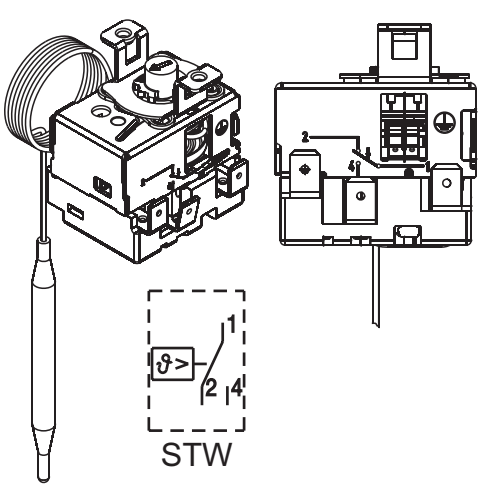
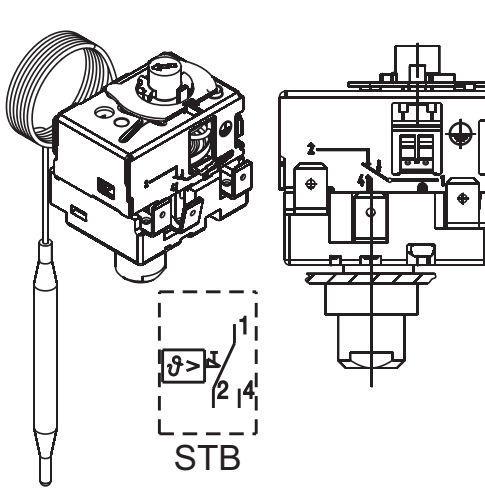
**JUMO GmbH & Co. KG**  
 Delivery address: Mackenrodtstraße 14,  
 36039 Fulda, Germany  
 Postal address: 36035 Fulda, Germany  
 Phone: +49 661 6003-0  
 Fax: +49 661 6003-607  
 E-mail: mail@jumo.net  
 Internet: www.jumo.net

**JUMO Instrument Co. Ltd.**  
 JUMO House  
 Temple Bank, Riverway  
 Harlow - Essex CM20 2DY, UK  
 Phone: +44 1279 63 55 33  
 Fax: +44 1279 63 52 62  
 E-mail: sales@jumo.co.uk  
 Internet: www.jumo.co.uk

**JUMO Process Control, Inc.**  
 8 Technology Boulevard  
 Canastota, NY 13032, USA  
 Phone: 315-697-JUMO  
 1-800-554-JUMO  
 Fax: 315-697-5867  
 E-mail: info@jumo.us  
 Internet: www.jumo.us



## Wiring diagrams

<p>Type 602030</p>	<p>Type 602030/01</p> 	<p>Type 602030/02</p> 
<p>Type 602031</p>	<p>Type 602031/20 and 602031/21</p> 	<p>Type 602031/80 and 602031/81</p> 

**JUMO GmbH & Co. KG**  
 Delivery address: Mackenrodtstraße 14,  
 36039 Fulda, Germany  
 Postal address: 36035 Fulda, Germany  
 Phone: +49 661 6003-0  
 Fax: +49 661 6003-607  
 E-mail: mail@jumo.net  
 Internet: www.jumo.net

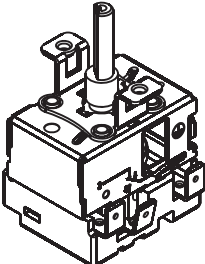
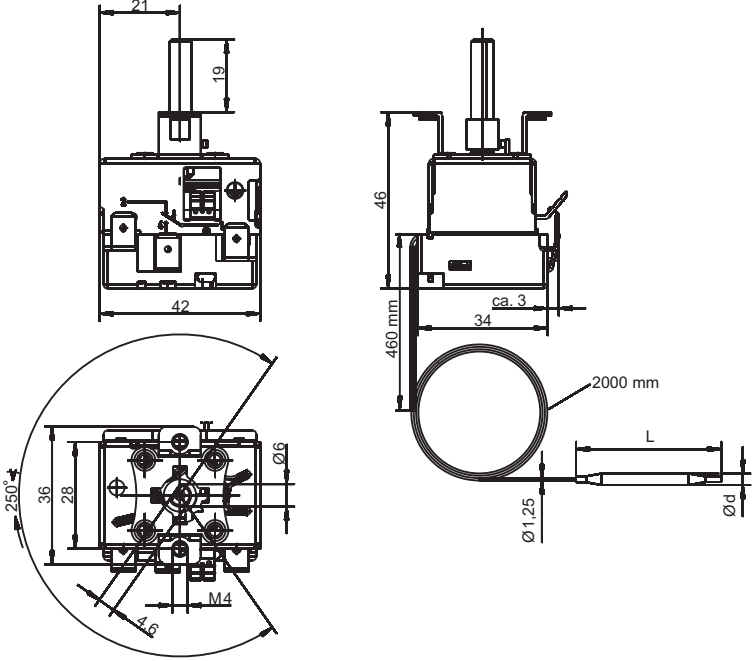
**JUMO Instrument Co. Ltd.**  
 JUMO House  
 Temple Bank, Riverway  
 Harlow - Essex CM20 2DY, UK  
 Phone: +44 1279 63 55 33  
 Fax: +44 1279 63 52 62  
 E-mail: sales@jumo.co.uk  
 Internet: www.jumo.co.uk

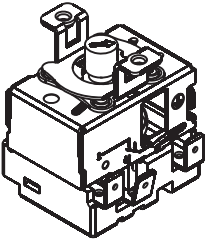
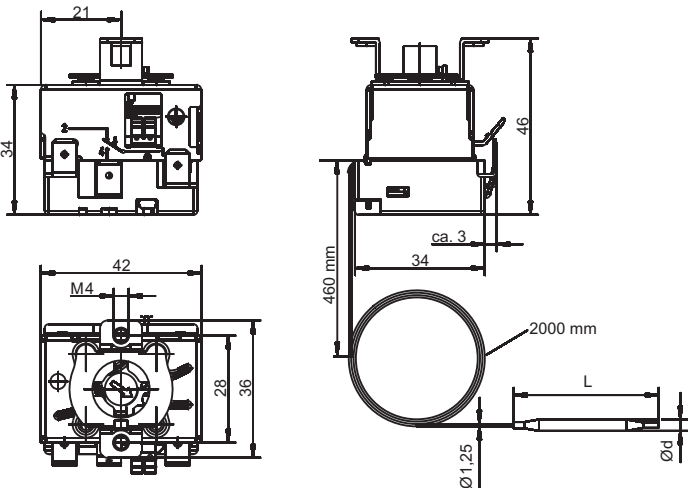
**JUMO Process Control, Inc.**  
 8 Technology Boulevard  
 Canastota, NY 13032, USA  
 Phone: 315-697-JUMO  
 1-800-554-JUMO  
 Fax: 315-697-5867  
 E-mail: info@jumo.us  
 Internet: www.jumo.us



## Devices in stock

### Dimensions

<p><b>Type 602030/01</b></p> <ul style="list-style-type: none"> <li>• Temperature controller</li> <li>• Compensated ambient temperature (serial)</li> <li>• max. contact rating 16 A, 400 V</li> <li>• Service life, at least 250,00 switching cycles</li> <li>• Switch point deviation (drift) during the entire service life of max. <math>\pm 5\%</math></li> </ul> 					
Part No.	Type	Control range °C	Long-distance line mm	Hysteresis	Probe $\varnothing$ (d) x L
60/60003218	602030/01	+20...90	2000	approx. 2K	6 x 132 mm
60/60003280		+20...90		approx. 5K	6 x 79 mm
60/60003219		+0...120		approx. 3K	6 x 87 mm
60/60003220		+0...200		approx. 5K	6 x 78 mm
60/60003221		+50...300		approx. 6K	6 x 66 mm

<p><b>Type 602030/01</b></p> <ul style="list-style-type: none"> <li>• Temperature monitor</li> <li>• Compensated ambient temperature (serial)</li> <li>• max. contact rating 16 A, 400 V</li> <li>• Service life, at least 250,000 switching cycles</li> <li>• Switch point deviation (drift) during the entire service life of max. <math>\pm 5\%</math></li> </ul> 					
Part No.	Type	Control range °C	Long-distance line mm	Hysteresis	Probe $\varnothing$ (d) x L
60/60003222	602030/02	+20...90	2000	approx. 2K	6 x 132 mm
60/60003281		+20...90		approx. 5K	6 x 79 mm
60/60003223		+0...120		approx. 3K	6 x 87 mm
60/60003224		+0...200		approx. 5K	6 x 78 mm
60/60003225		+50...300		approx. 6K	6 x 66 mm

**JUMO GmbH & Co. KG**  
 Delivery address: Mackenrodtstraße 14,  
 36039 Fulda, Germany  
 Postal address: 36035 Fulda, Germany  
 Phone: +49 661 6003-0  
 Fax: +49 661 6003-607  
 E-mail: mail@jumo.net  
 Internet: www.jumo.net

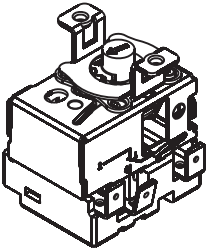
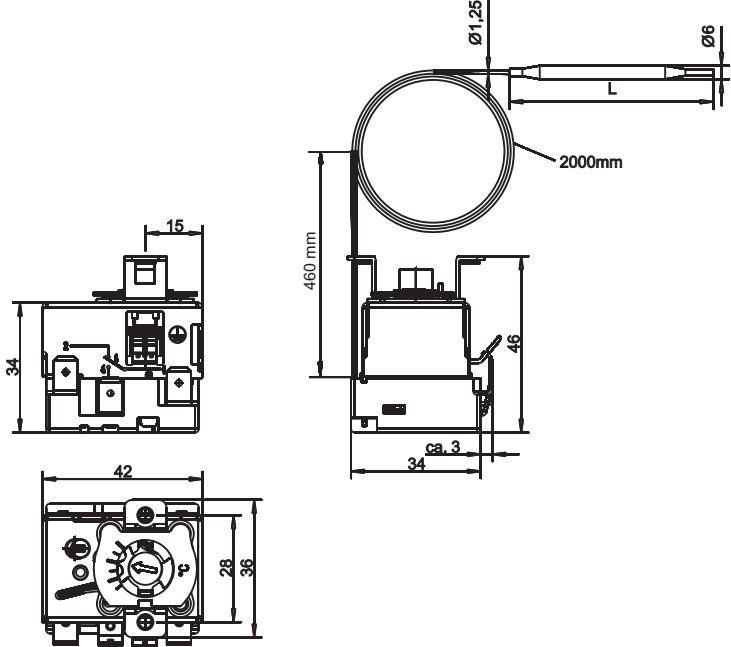
**JUMO Instrument Co. Ltd.**  
 JUMO House  
 Temple Bank, Riverway  
 Harlow - Essex CM20 2DY, UK  
 Phone: +44 1279 63 55 33  
 Fax: +44 1279 63 52 62  
 E-mail: sales@jumo.co.uk  
 Internet: www.jumo.co.uk

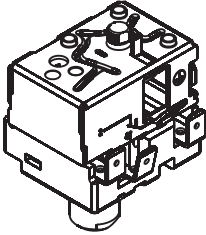
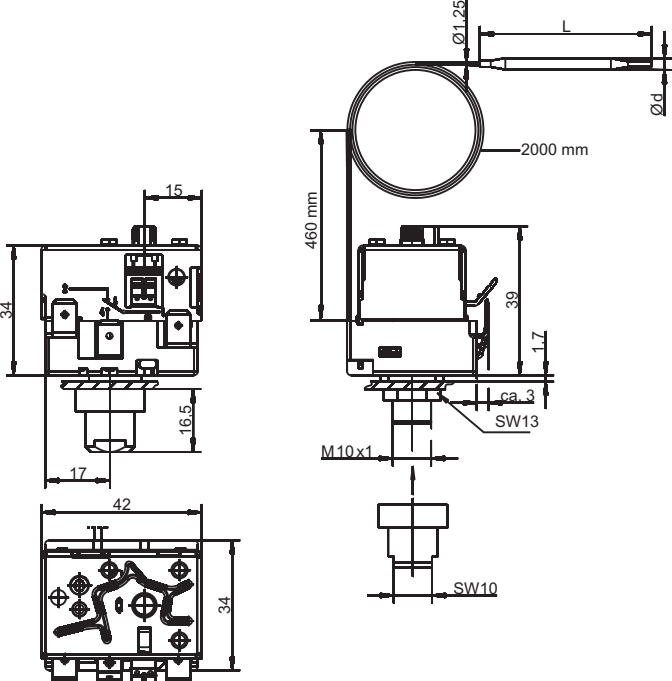
**JUMO Process Control, Inc.**  
 8 Technology Boulevard  
 Canastota, NY 13032, USA  
 Phone: 315-697-JUMO  
 1-800-554-JUMO  
 Fax: 315-697-5867  
 E-mail: info@jumo.us  
 Internet: www.jumo.us



## Devices in stock

### Dimensions

<p><b>Type 602031/21</b></p> <ul style="list-style-type: none"> <li>• Safety temperature monitor</li> <li>• Compensated ambient temperature (serial)</li> <li>• max. contact rating 16 A, 400 V</li> </ul> 					
Part No.	Type	Control range °C	Long-distance line mm	Hysteresis	Probe Ø (d) x L
60/60003226	602031/21	+70...130	2000	approx. 10K	6 x 60 mm

<p><b>Type 602031/80</b></p> <ul style="list-style-type: none"> <li>• Safety temperature limiter</li> <li>• Compensated ambient temperature (serial)</li> <li>• max. contact rating 16 A, 400 V</li> </ul> 					
Part No.	Type	Switching point °C	Long-distance line mm	Unlocking difference	Probe Ø (d) x L
60/60002994	602031/80	+100	2000	approx. 10K	6 x 72 mm

**JUMO GmbH & Co. KG**  
 Delivery address: Mackenrodtstraße 14,  
 36039 Fulda, Germany  
 Postal address: 36035 Fulda, Germany  
 Phone: +49 661 6003-0  
 Fax: +49 661 6003-607  
 E-mail: mail@jumo.net  
 Internet: www.jumo.net

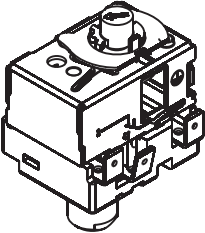
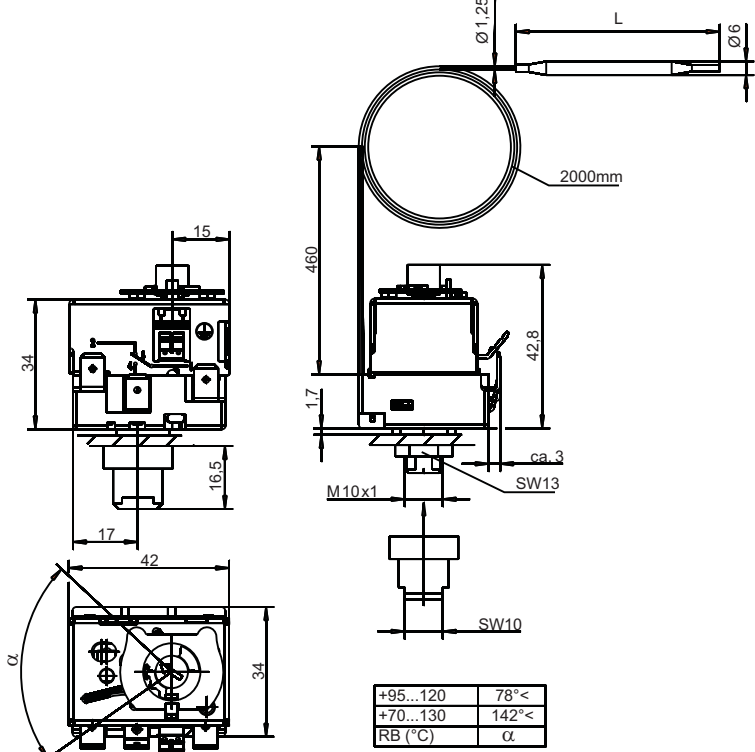
**JUMO Instrument Co. Ltd.**  
 JUMO House  
 Temple Bank, Riverway  
 Harlow - Essex CM20 2DY, UK  
 Phone: +44 1279 63 55 33  
 Fax: +44 1279 63 52 62  
 E-mail: sales@jumo.co.uk  
 Internet: www.jumo.co.uk

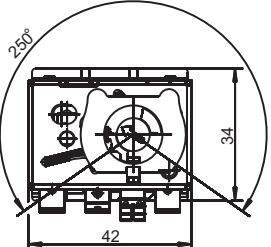
**JUMO Process Control, Inc.**  
 8 Technology Boulevard  
 Canastota, NY 13032, USA  
 Phone: 315-697-JUMO  
 1-800-554-JUMO  
 Fax: 315-697-5867  
 E-mail: info@jumo.us  
 Internet: www.jumo.us



## Devices in stock

### Dimensions

<p><b>Type 602031/81</b></p> <ul style="list-style-type: none"> <li>Safety temperature limiter</li> <li>Compensated ambient temperature (serial)</li> <li>max. contact rating 16 A, 400 V</li> </ul> 	 <table border="1" data-bbox="933 1182 1109 1249"> <tr> <td>+95...120</td> <td>78° &lt;</td> </tr> <tr> <td>+70...130</td> <td>142° &lt;</td> </tr> <tr> <td>RB (°C)</td> <td>α</td> </tr> </table>					+95...120	78° <	+70...130	142° <	RB (°C)	α
+95...120	78° <										
+70...130	142° <										
RB (°C)	α										
<p><b>Part No.</b></p> <p>60/60002995</p> <p>60/60003136</p>	<p>Type</p> <p>602031/81</p>	<p>Control range °C</p> <p>+95...120</p> <p>+70...130</p>	<p>Long-distance line mm</p> <p>2000</p>	<p>Unlocking difference</p> <p>approx. 10K</p>	<p>Probe Ø (d) x L</p> <p>6 x 72 mm</p> <p>6 x 60 mm</p>						

<p><b>Type 602031/81</b></p> <ul style="list-style-type: none"> <li>Safety temperature limiter</li> <li>Compensated ambient temperature (serial)</li> <li>max. contact rating 16 A, 400 V</li> <li>with extra code 250° ∠</li> </ul>					
<p><b>Part No.</b></p> <p>60/60003291</p> <p>60/60003292</p>	<p>Type</p> <p>602031/81</p>	<p>Control range °C</p> <p>+20...150</p> <p>+50...300</p>	<p>Long-distance line mm</p> <p>2000</p>	<p>Unlocking difference</p> <p>approx. 10K</p>	<p>Probe Ø (d) x L</p> <p>6 x 60 mm</p> <p>6 x 85 mm</p>

**JUMO GmbH & Co. KG**  
 Delivery address: Mackenrodtstraße 14,  
 36039 Fulda, Germany  
 Postal address: 36035 Fulda, Germany  
 Phone: +49 661 6003-0  
 Fax: +49 661 6003-607  
 E-mail: mail@jumo.net  
 Internet: www.jumo.net

**JUMO Instrument Co. Ltd.**  
 JUMO House  
 Temple Bank, Riverway  
 Harlow - Essex CM20 2DY, UK  
 Phone: +44 1279 63 55 33  
 Fax: +44 1279 63 52 62  
 E-mail: sales@jumo.co.uk  
 Internet: www.jumo.co.uk

**JUMO Process Control, Inc.**  
 8 Technology Boulevard  
 Canastota, NY 13032, USA  
 Phone: 315-697-JUMO  
 1-800-554-JUMO  
 Fax: 315-697-5867  
 E-mail: info@jumo.us  
 Internet: www.jumo.us



## Order details

### Built-in thermostat JUMO heatTHERM type 602030 and 602031

Order code	(1)	Basic type		
	602030	Built-in thermostat JUMO heatTHERM with single-pole snap switch (TR/TW)		
	602031	Built-in thermostat JUMO heatTHERM with single-pole snap switch (STW/STB)		
		<b>(2) Basic type extensions</b>		
X	01	Temperature controller	(TR) with change-over contact	
X	02	Temperature monitor	(TW) with change-over contact	
X	20	Safety temperature monitor (STW)	Set permanently with change-over contact	
X	21	Safety temperature monitor (STW)	Adjustable with change-over contact	
X	80	Safety temperature limiter (STB)	Set permanently with change-over contact and restart lock	
X	81	Safety temperature limiter (STB)	Adjustable with change-over contact and restart lock	
		<b>(3) Control / limit value range °C</b>	max. admissible probe temperature °C	
X	X 000	with permanently set switching point		
X	026	0...+120	145	
X	028	0...+200	230	
X	041	+20...+90	115	
X	064	+50...+300 (temperature probe made of CrNi)	345	
X	043	+20...+150	180 ( at extra codes 749)	
X	640	+50...+300 (temperature probe made of CrNi)	345 ( at extra codes 749)	
X	666	+95...+120	145	
X	671	+70...+130	155	
		further control/limit value ranges up to 350°C on request (up to +500°C without approval)		
		<b>(4) Limit value STW/STB permanently set °C</b>	max. admissible probe temperature °C	Switching point tolerance
X	000	with adjustable limit value		
X	095	+95	145	+0/-5K
X	100	+100	145	+0/-5K
X	110	+110	145	+0/-5K
		further limit values up to 350°C on request (up to +500°C without approval)		
		<b>(5) Hysteresis %</b>		
X	00	no specifications for STB		
X	25	2.5		
X	X 70	7		
		<b>(6) Long-distance line length mm</b>		
X	X 2000	2000		
X	X ....	Special length (specifications in plain text - 1000 mm steps, maximum length 5000 mm)		
		<b>(7) Long-distance line material</b>		
X	X 40	Cu (copper) Ø 1.25 mm		
		<b>(8) Long-distance line insulation</b>		
X	X 13	With		



**JUMO GmbH & Co. KG**  
 Delivery address: Mackenrodtstraße 14,  
 36039 Fulda, Germany  
 Postal address: 36035 Fulda, Germany  
 Phone: +49 661 6003-0  
 Fax: +49 661 6003-607  
 E-mail: mail@jumo.net  
 Internet: www.jumo.net

**JUMO Instrument Co. Ltd.**  
 JUMO House  
 Temple Bank, Riverway  
 Harlow - Essex CM20 2DY, UK  
 Phone: +44 1279 63 55 33  
 Fax: +44 1279 63 52 62  
 E-mail: sales@jumo.co.uk  
 Internet: www.jumo.co.uk


**JUMO Process Control, Inc.**  
 8 Technology Boulevard  
 Canastota, NY 13032, USA  
 Phone: 315-697-JUMO  
 1-800-554-JUMO  
 Fax: 315-697-5867  
 E-mail: info@jumo.us  
 Internet: www.jumo.us



## Order details

### Built-in thermostat JUMO heatTHERM type 602030 and 602031

**Order code**

X	X	460	<b>(9) Insulation length mm</b> (from housing)	
X	X	....	460	
			Special length (specifications in plain text in mm, maximum length 700 mm)	
X	X	10	<b>(10) Process connection (PC)</b>	
			A = plain cylindrical probe	
X	X	4	<b>(11) Diameter "d" (probe diameter) mm</b>	
X	X	6	4	
			6	
X	X	40	<b>(12) Temperature probe material</b>	
X	X	20	Cu (Copper)	
			CrNi (stainless steel 1.4571)	
X	X	000	<b>(13) Extra codes</b>	
X	X	702	without extra codes	
X	X	742	Snap switch, gold-plated	
X	X	749	Straight plug	
			Setting range with 250 angular degrees (only STB)	

**Order code**

(1)	(2)	(3)	(4)	(5)	(6)	(7)	(8)	(9)	(10)	(11)	(12)	(13)			
602031	/		-		-		-		-		-		/		, ...

**Order example**

602031	/	80	-	000	-	110	-	00	-	2000	-	40	-	13	-	460	-	10	-	6	-	40	/	000 <sup>a</sup>	, ...
--------	---	----	---	-----	---	-----	---	----	---	------	---	----	---	----	---	-----	---	----	---	---	---	----	---	------------------	-------

<sup>a</sup> State extra codes one after another, separated by commas.

**JUMO GmbH & Co. KG**

Delivery address: Mackenrodtstraße 14,  
36039 Fulda, Germany  
Postal address: 36035 Fulda, Germany  
Phone: +49 661 6003-0  
Fax: +49 661 6003-607  
E-mail: mail@jumo.net  
Internet: www.jumo.net

**JUMO Instrument Co. Ltd.**

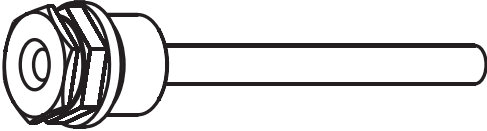
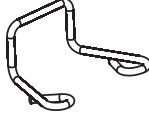
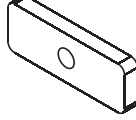

JUMO House  
Temple Bank, Riverway  
Harlow - Essex CM20 2DY, UK  
Phone: +44 1279 63 55 33  
Fax: +44 1279 63 52 62  
E-mail: sales@jumo.co.uk  
Internet: www.jumo.co.uk

**JUMO Process Control, Inc.**





8 Technology Boulevard  
Canastota, NY 13032, USA  
Phone: 315-697-JUMO  
1-800-554-JUMO  
Fax: 315-697-5867  
E-mail: info@jumo.us  
Internet: www.jumo.us



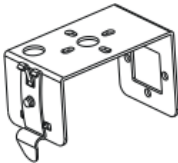


## Accessories

Thermowell set	Thermowell with sealing collar		Clamp for strain relief	Disk for add-on thermostat	Screw for add-on thermostat
suitable for type 602030 and 602031					
Part No.	Type	Abbreviation	Connection	Fitting length EL in mm	Material
60/60003177	Screw-in thermowell with sealing collar	U4	G 1/2	100	Brass / nickel-plated
60/60003203				150	
60/60003171				200	
60/60003172				100	Stainless steel / 1.4571
60/60003205				150	
60/60003173				200	

**Set point setter for type 602030/01**

Part No.	Type	Control range °C	W 8			
60/60003091	W 8	+20...+90				
60/60003227		0...+120				
60/60003095		0...+200				
60/60003098		+50...+300				

**Mounting set for support rail DIN EN 60715 TH 35-7.5**

Part No.	Type		
60/00511794	Adapter set, support rail for heat-THERM/EM		 2 screws M3 x 4  2 screws M4 x 5