

Operator terminal - NLC-OP1-LCD-032-4X20 - 2701137

Please be informed that the data shown in this PDF Document is generated from our Online Catalog. Please find the complete data in the user's documentation. Our General Terms of Use for Downloads are valid (<http://download.phoenixcontact.com>)



User interface for Nanoline controllers. Mounts directly on the base unit. Can be mounted remotely using the mounting kit.

Product Description

User interface for Nanoline controllers. 8-line, 21-character backlit display provides operation and setup information to the user. Numeric and directional buttons allow entry and selection of data into the controller. Can be mounted directly on the base unit, mounted remotely using the optional mounting kit, or used as a service tool.

Product Features

- Numeric (0 - 9), direction (up, down, left, right), and Enter keys can be used to input custom messages
- Displays messages prompting user input
- Can be integrated in the basic unit or installed remotely on a panel (1 m distance)
- Variable font sizes for improved legibility of custom messages (4 x 20 or 2 x 10 or a combination of the two)
- The hot-swappable design enables use as a service tool and for security
- Provides access to view all I/O points, registers, flags, timers, counters, program flags, and system flags

Key commercial data

package_quantity	1
GTIN	4046356325288

Technical data

Note:

Utilization restriction	EMC: class A product, see manufacturer's declaration in the download area
--------------------------------	---

Dimensions

Width	76 mm
Height	46 mm
Depth	31.5 mm

Ambient conditions

Degree of protection	IP67/IP20
Ambient temperature (operation)	0 °C ... 50 °C
Ambient temperature (storage/transport)	0 °C ... 60 °C

Interfaces

Interface	Operator Panel
Connection method	RJ45

Operator terminal - NLC-OP1-LCD-032-4X20 - 2701137

Technical data

Interfaces

Transmission length	max. 1 m
----------------------------	----------

Supply

Power supply connection	RJ45
Supply voltage	(Power available via logic module)
Max. current consumption	50 mA
Typical current consumption	32 mA

Software interfaces

Programming tool	nanoNavigator
-------------------------	---------------

Display

Display	Backlit LC display, monochrome, 4 lines with 20 characters or 2 lines with 10 characters
Monitor resolution	128 x 64 pixels
Display area	66 mm 34 mm
Keys	11

General

Mounting type	In logic module or with remote mounting kit
----------------------	---

classifications

eCl@ss

eCl@ss 4.0	27240101
eCl@ss 4.1	27240101
eCl@ss 5.0	27242216
eCl@ss 5.1	27249290
eCl@ss 6.0	27242216
eCl@ss 7.0	27242216
eCl@ss 8.0	27242216

ETIM

ETIM 2.0	EC001417
ETIM 3.0	EC001417
ETIM 4.0	EC002584
ETIM 5.0	EC002584

UNSPSC

UNSPSC 6.01	43172015
UNSPSC 7.0901	43201404
UNSPSC 11	43172015
UNSPSC 12.01	43201404
UNSPSC 13.2	43201404

Operator terminal - NLC-OP1-LCD-032-4X20 - 2701137

approvals

UL Listed /

Approval details



accessories

Cover

NLC-OP1-COVER - 2701276



Mounting material

NLC-OP1-MKT - 2701140



Adapter cable

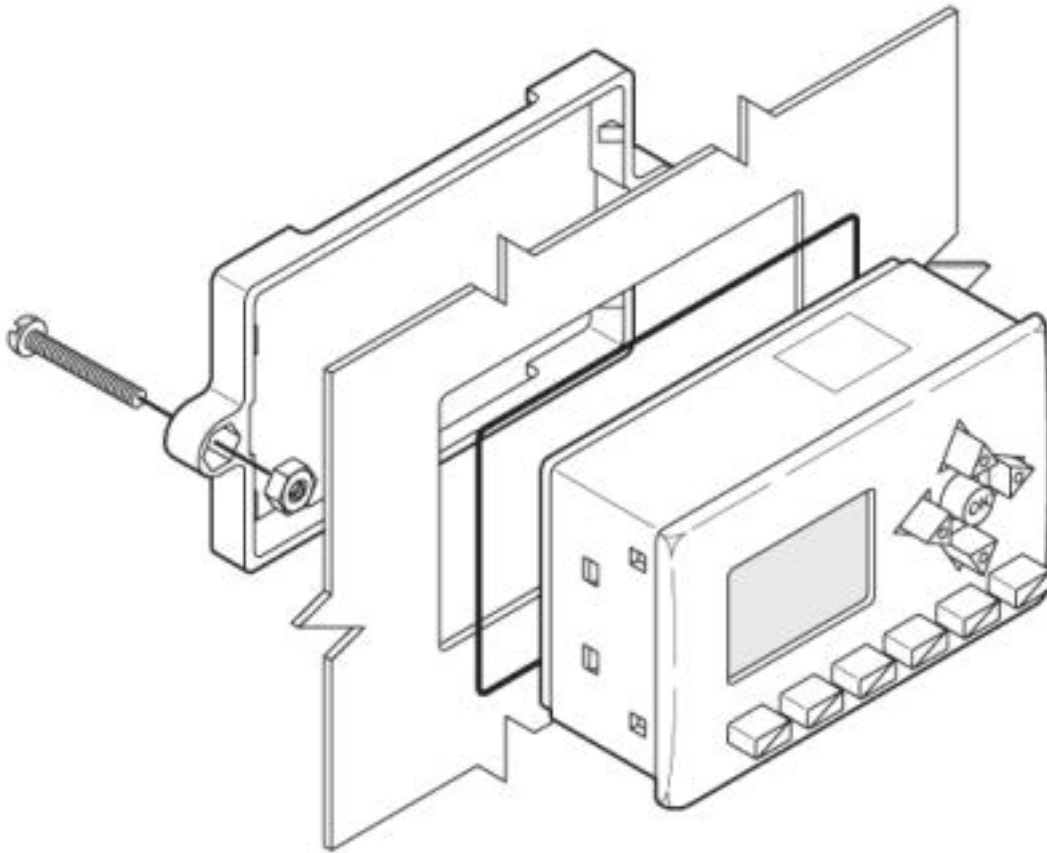
NLC-OP1-MKT-CBL - 2701438



Drawings

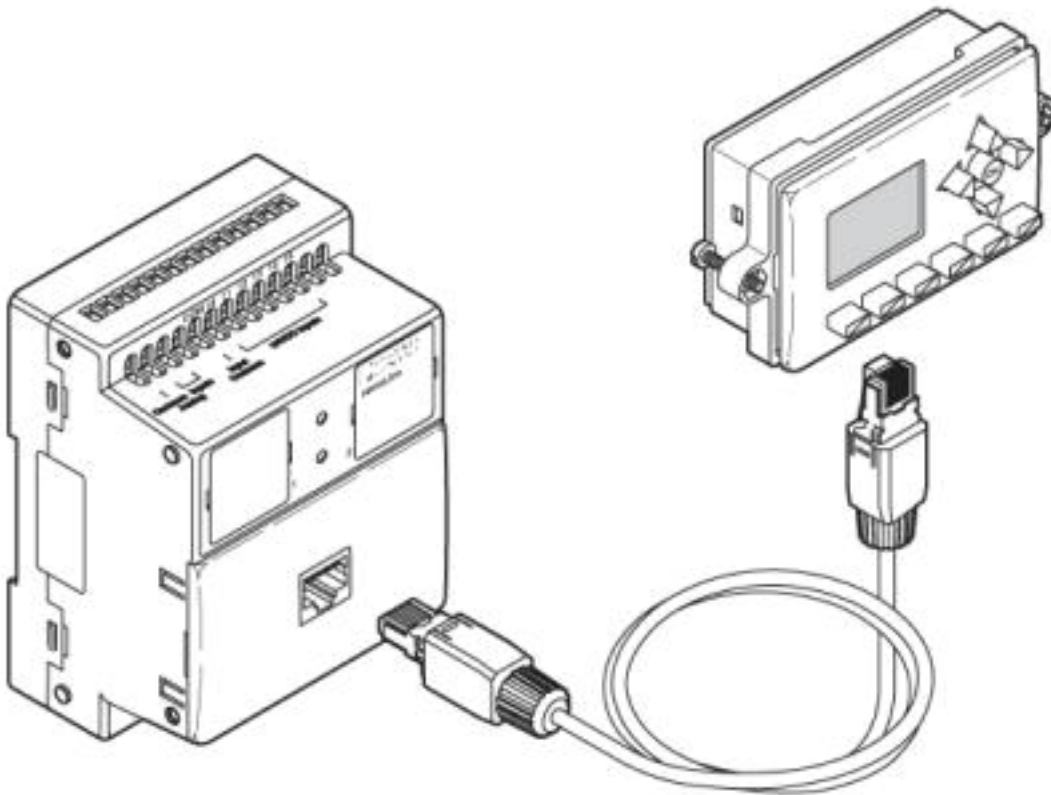
Operator terminal - NLC-OP1-LCD-032-4X20 - 2701137

Schematic diagram



Operator terminal - NLC-OP1-LCD-032-4X20 - 2701137

Schematic diagram



© Phoenix Contact 2013 - all rights reserved
<http://www.phoenixcontact.com>