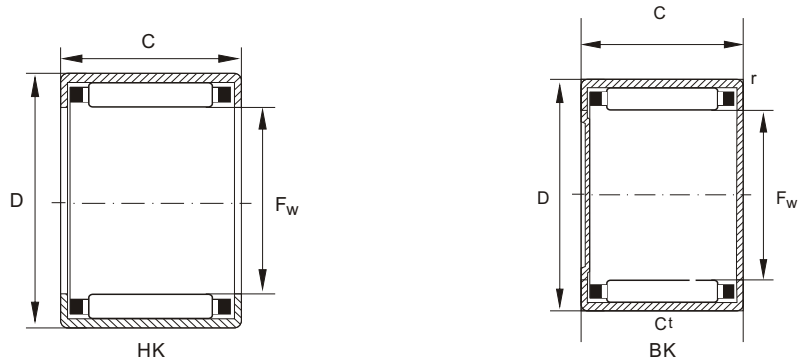


# SHELL TYPE NEEDLE ROLLER BEARINGS, OPEN END DESIGN



Shaft Diameter (mm)	Principal dimensions (mm)					Open end design		Closed end design	
	F <sub>w</sub>	D	C	C <sub>t</sub> min	r min	Bearing Number	Weight ≈ g	Bearing Number	Weight ≈ g
<b>3</b>	3	6.5	6	5.2	0.3	<b>+HK 0306 TN</b>	1.0	<b>+BK 0306 TN</b>	1.0
<b>4</b>	4	8	8	6.4	0.3	<b>+HK 0408</b>	2.0	<b>+BK 0408</b>	2.1
<b>5</b>	5	9	9	7.4	0.4	<b>+HK 0509</b>	2.0	<b>+BK 0509</b>	2.1
<b>6</b>	6	10	8	-	0.4	<b>+HK 0608</b>	2.1	-	-
	6	10	9	7.4	0.4	<b>HK 0609</b>	2.5	<b>BK 0609</b>	2.6
<b>7</b>	7	11	9	7.4	0.4	<b>HK 0709</b>	2.6	<b>BK 0709</b>	2.9
<b>8</b>	8	12	8	6.4	0.4	<b>HK 0808</b>	2.7	<b>BK 0808</b>	3.0
	8	12	10	8.4	0.4	<b>HK 0810</b>	3.0	<b>BK 0810</b>	3.4
<b>9</b>	9	13	8	-	0.4	<b>HK 0908</b>	3.0	-	-
	9	13	10	8.4	0.4	<b>HK 0910</b>	4.0	<b>BK 0910</b>	4.3
	9	13	12	10.4	0.4	<b>HK 0912</b>	4.6	<b>BK 0912</b>	4.9
<b>10</b>	10	14	10	8.4	0.4	<b>HK 1010</b>	4.1	<b>BK 1010</b>	4.3
	10	14	12	10.4	0.4	<b>HK 1012</b>	4.8	<b>BK 1012</b>	5.0
	10	14	15	13.4	0.4	<b>HK 1015</b>	6.0	<b>BK 1015</b>	6.2
<b>12</b>	12	16	10	8.4	0.4	<b>HK 1210</b>	4.6	<b>BK 1210</b>	5.2
	12	18	12	9.3	0.8	<b>HK 1212</b>	9.0	<b>BK 1212</b>	10.0
<b>13</b>	13	19	12	9.3	0.8	<b>HK 1312</b>	10.0	<b>BK 1312</b>	11.0
<b>14</b>	14	20	12	9.3	0.8	<b>HK 1412</b>	10.5	<b>BK 1412</b>	12.0
<b>15</b>	15	21	12	9.3	0.8	<b>HK 1512</b>	11.0	<b>BK 1512</b>	13.0
	15	21	16	13.3	0.8	<b>HK 1516</b>	15.0	<b>BK 1516</b>	17.0
	15	22	22	-	0.8	° <b>HK 1522</b>	20.0	-	-
<b>16</b>	16	22	12	9.3	0.8	<b>HK 1612</b>	12.0	<b>BK 1612</b>	14.0
	16	22	16	13.3	0.8	<b>HK 1616</b>	16.0	<b>BK 1616</b>	18.0
	16	23	22	19.3	0.8	° <b>HK 1622</b>	22.0	° <b>BK 1622</b>	24.0
<b>17</b>	17	24	12	-	0.8	<b>HK 1712</b>	12.0	-	-
<b>18</b>	18	24	12	9.3	0.8	<b>HK 1812</b>	13.0	<b>BK 1812</b>	15.0
	18	26	16	13.3	0.8	<b>HK 1816</b>	18.0	<b>BK 1816</b>	20.0
<b>20</b>	20	26	10	-	0.8	<b>HK 2010</b>	12.0	-	-
	20	26	12	-	0.8	<b>HK 2012</b>	14.0	-	-
	20	26	16	13.3	0.8	<b>HK 2016</b>	19.0	<b>BK 2016</b>	22.0
	20	26	20	17.3	0.8	<b>HK 2020</b>	24.0	<b>BK 2020</b>	27.0
	20	26	30	-	0.8	° <b>HK 2030</b>	35.0	-	-
<b>22</b>	22	28	10	-	0.8	<b>HK 2210</b>	13.0	-	-
	22	28	12	9.3	0.8	<b>HK 2212</b>	15.0	<b>BK 2212</b>	18.0
	22	28	16	13.3	0.8	<b>HK 2216</b>	21.0	<b>BK 2216</b>	24.0
	22	28	20	-	0.8	<b>HK 2220</b>	26.0	-	-

TN = Plasticcage, Limiting working temperature: +120°C (Continuous working)

+Without oil hole

° With double-row oil holes are of standard type