

GSM Antenna RG174 cable 3 m MMCX connector




**GSM ANTENNA MMCX R/A MALE + RG174U L=3000mm
AIR-3-MMCX8029-3M**

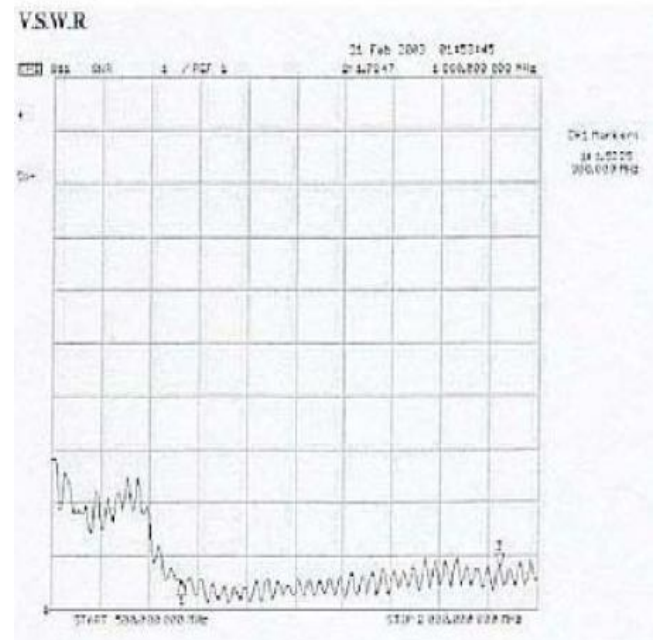
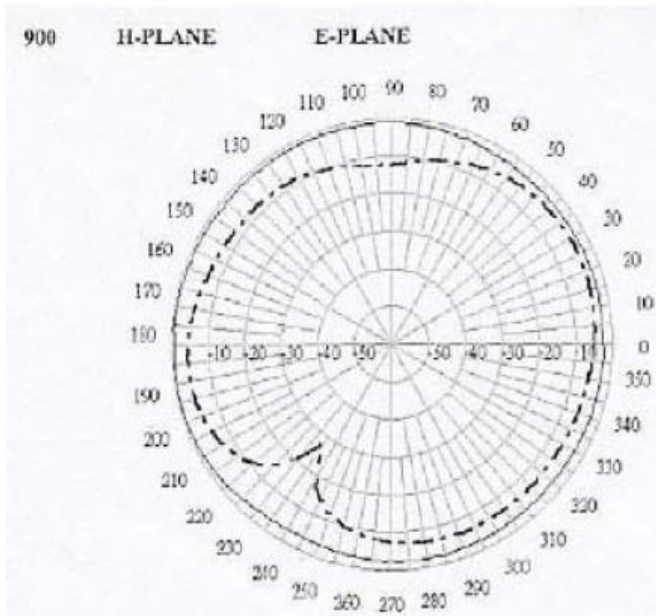
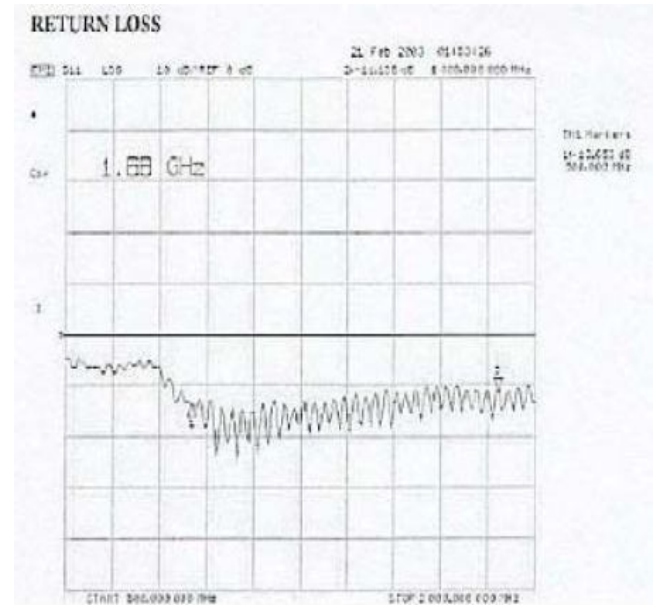
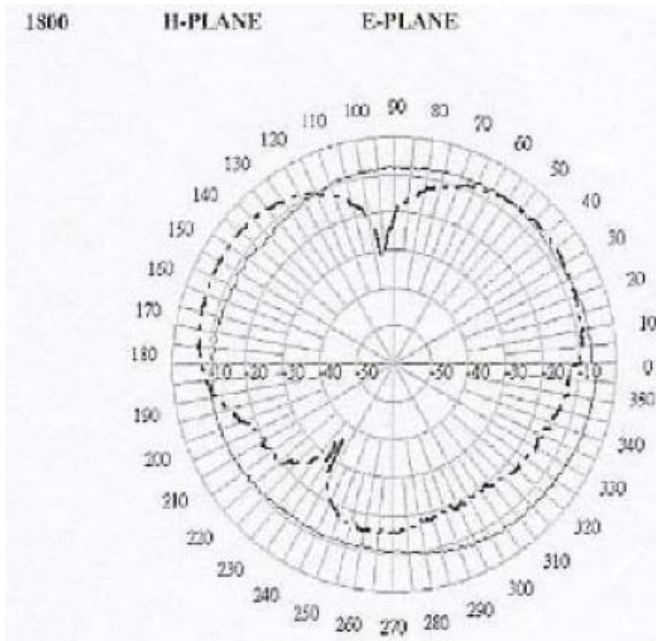
AIR-3 UHF Mobile Antenna Broad-Band

806~1900MHz Cellular telemetry covert antenna, broadband design for radio

Wireless systems. The covert design of low profile patch radioelement sealed with a rubber enclosure can be hidden in a secure area in the vehicle. The antenna is harness with a 3meter double-shielded RG174/U to optimize loss and isolate outside interference to the radio

| | |
|-------------------------------------------------------------------------------------|----------------------------------------------------------------------------------------------------------------------------------------------------------------------------------------------------------------------------------------------------------------------------------------------------------------------------------------------|
|  | <p style="text-align: center;">Applications</p> <ul style="list-style-type: none"> ● Wireless Telemetry ● AMPS ● CDPD ● Voice & Data radio ● PCS ● DCS ● S.C.A.D.A Radio ● DATA-TAC ● Cellemetry ● Wireless Modem ● iDEN |
|-------------------------------------------------------------------------------------|----------------------------------------------------------------------------------------------------------------------------------------------------------------------------------------------------------------------------------------------------------------------------------------------------------------------------------------------|

GSM Antenna RG174 cable 3 m MMCX connector

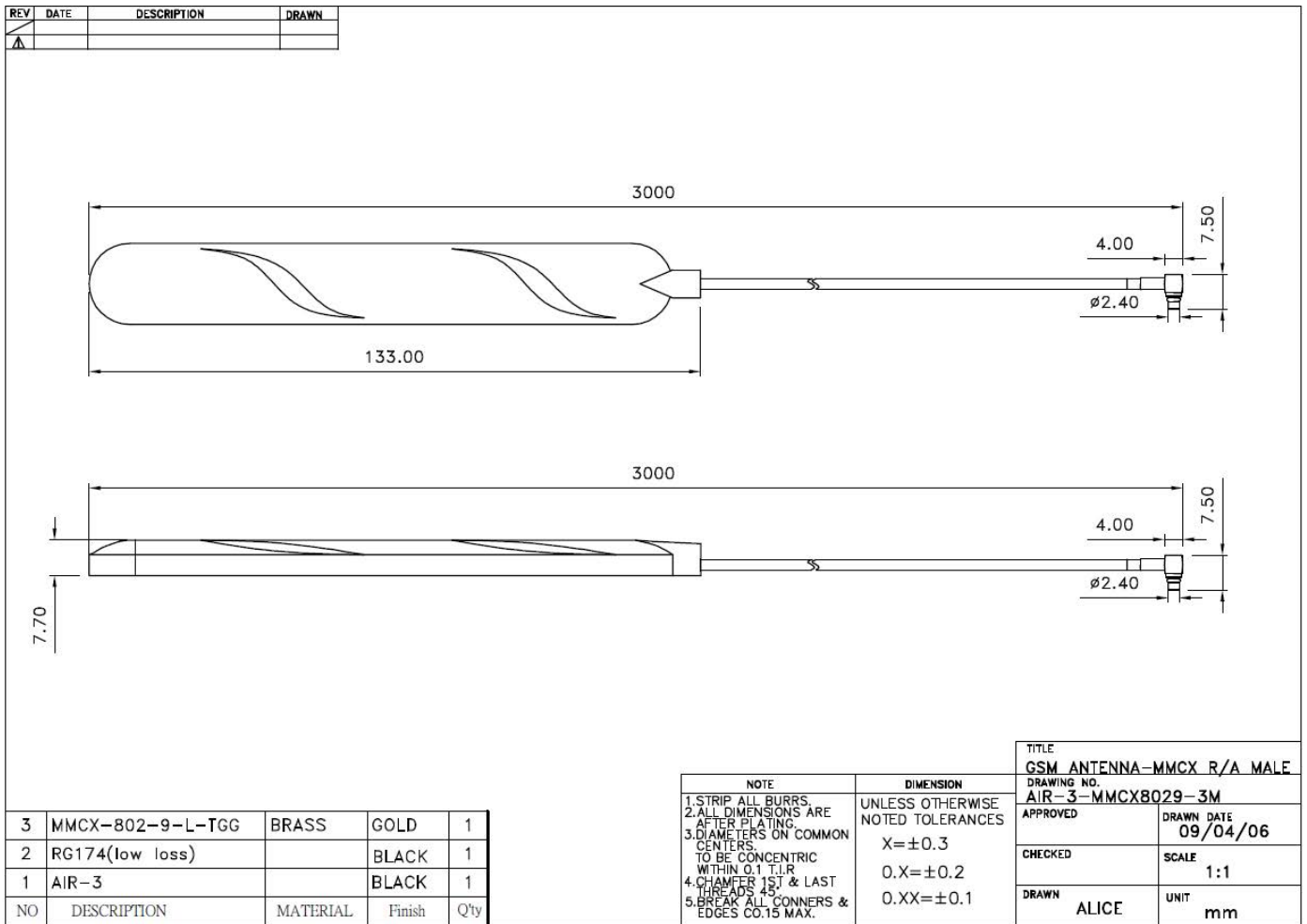


This is a publication by Conrad Electronic SE, Klaus-Conrad-Str. 1, D-92240 Hirschau (www.conrad.com).

All rights including translation reserved. Reproduction by any method, e.g. photocopy, microfilming, or the capture in electronic data processing systems require the prior written approval by the editor. Reprinting, also in part, is prohibited. This publication represents the technical status at the time of printing.

© Copyright 2017 by Conrad Electronic SE.

GSM Antenna RG174 cable 3 m MMCX connector



Unit: mm

This is a publication by Conrad Electronic SE, Klaus-Conrad-Str. 1, D-92240 Hirschau (www.conrad.com).

All rights including translation reserved. Reproduction by any method, e.g. photocopy, microfilming, or the capture in electronic data processing systems require the prior written approval by the editor. Reprinting, also in part, is prohibited. This publication represents the technical status at the time of printing.

© Copyright 2017 by Conrad Electronic SE.