

# Base strip - MSTB 2,5 HC/ 2-GF-5,08 - 1924088

Please be informed that the data shown in this PDF Document is generated from our Online Catalog. Please find the complete data in the user's documentation. Our General Terms of Use for Downloads are valid (<http://download.phoenixcontact.com>)



Header, Nominal current: 16 A, Rated voltage (III/2): 320 V, Number of positions: 2, Pitch: 5.08 mm, Color: green, Contact surface: Tin, Assembly: Soldering

The figure shows a 10-position version of the product

## Product Features

- 16 A (HC) headers in horizontal and vertical (MSTBV) versions
- Lateral HC marking („High Current“)
- Coding sections (CR) as protection against mismatching
- Lateral mismatching prevented by side panels
- Vibration-resistant connection by means of threaded flange (-GF)

## Key commercial data

|                         |               |
|-------------------------|---------------|
| <b>package_quantity</b> | 50            |
| <b>GTIN</b>             | 4017918600051 |

## Technical data

### Dimensions

|                       |          |
|-----------------------|----------|
| <b>Length</b>         | 12 mm    |
| <b>Pitch</b>          | 5.08 mm  |
| <b>Dimension a</b>    | 10.16 mm |
| <b>Pin dimensions</b> | 1 x 1 mm |
| <b>Pin spacing</b>    | 5.00 mm  |
| <b>Hole diameter</b>  | 1.4 mm   |

### General

|   |                           |
|---|---------------------------|
| <b>Range of articles</b>                | MSTB 2,5 HC/...-GF        |
| <b>Insulating material group</b>        | I                         |
| <b>Rated surge voltage (III/3)</b>      | 4 kV                      |
| <b>Rated surge voltage (III/2)</b>      | 4 kV                      |
| <b>Rated surge voltage (II/2)</b>       | 4 kV                      |
| <b>Rated voltage (III/3)</b>            | 250 V                     |
| <b>Rated voltage (III/2)</b>            | 320 V                     |
| <b>Rated voltage (II/2)</b>             | 400 V                     |
| <b>Connection in acc. with standard</b> | EN-VDE                    |
| <b>Nominal current I<sub>N</sub></b>    | 16 A (see derating curve) |

# Base strip - MSTB 2,5 HC/ 2-GF-5,08 - 1924088

## Technical data

### General

|   |       |
|---|-------|
| Maximum load current                    | 16 A  |
| Insulating material                     | PA    |
| Inflammability class according to UL 94 | V0    |
| Color                                   | green |
| Number of positions                     | 2     |

## classifications

### eCl@ss

|            |          |
|------------|----------|
| eCl@ss 4.0 | 272607xx |
| eCl@ss 4.1 | 27260701 |
| eCl@ss 5.0 | 27260701 |
| eCl@ss 5.1 | 27260701 |
| eCl@ss 6.0 | 27260704 |
| eCl@ss 7.0 | 27440402 |
| eCl@ss 8.0 | 27440402 |

### ETIM

|          |          |
|----------|----------|
| ETIM 3.0 | EC001121 |
| ETIM 4.0 | EC002637 |
| ETIM 5.0 | EC002637 |


### UNSPSC

|               |          |
|---------------|----------|
| UNSPSC 6.01   | 30211810 |
| UNSPSC 7.0901 | 39121409 |
| UNSPSC 11     | 39121409 |
| UNSPSC 12.01  | 39121409 |
| UNSPSC 13.2   | 39121409 |

## approvals

UL Recognized / VDE Gutachten mit Fertigungsüberwachung / cUL Recognized / GOST / IECCE CB Scheme / GOST / CCA / cULus Recognized /

### Approval details

| UL Recognized  |       |       |
|---|-------|-------|
| Usegroups   | B     | D     |
| Nominal voltage UN  | 300 V | 300 V |
| Nominal current IN  | 16 A  | 10 A  |
| mm <sup>2</sup> /AWG/kcmil  |       |       |

# Base strip - MSTB 2,5 HC/ 2-GF-5,08 - 1924088

## approvals

**VDE Gutachten mit Fertigungsüberwachung**

|                            |       |
|----------------------------|-------|
| Nominal voltage UN         | 250 V |
| Nominal current IN         | 16 A  |
| mm <sup>2</sup> /AWG/kcmil |       |

**cUL Recognized**

| Usegroups                  | B     | D     |
|----------------------------|-------|-------|
| Nominal voltage UN         | 300 V | 300 V |
| Nominal current IN         | 16 A  | 10 A  |
| mm <sup>2</sup> /AWG/kcmil |       |       |

**GOST**

**IECEE CB Scheme**

|                            |       |
|----------------------------|-------|
| Nominal voltage UN         | 250 V |
| Nominal current IN         | 16 A  |
| mm <sup>2</sup> /AWG/kcmil |       |

**CCA**

|                            |       |
|----------------------------|-------|
| Nominal voltage UN         | 250 V |
| Nominal current IN         | 16 A  |
| mm <sup>2</sup> /AWG/kcmil |       |

**cULus Recognized**

## Base strip - MSTB 2,5 HC/ 2-GF-5,08 - 1924088

accessories

### Filler plug

MSTB-BL - 1755477



---

### Labeled terminal marker

SK 5,08/3,8:FORTL.ZAHLEN - 0804293



---

### Coding element

CR-MSTB - 1734401

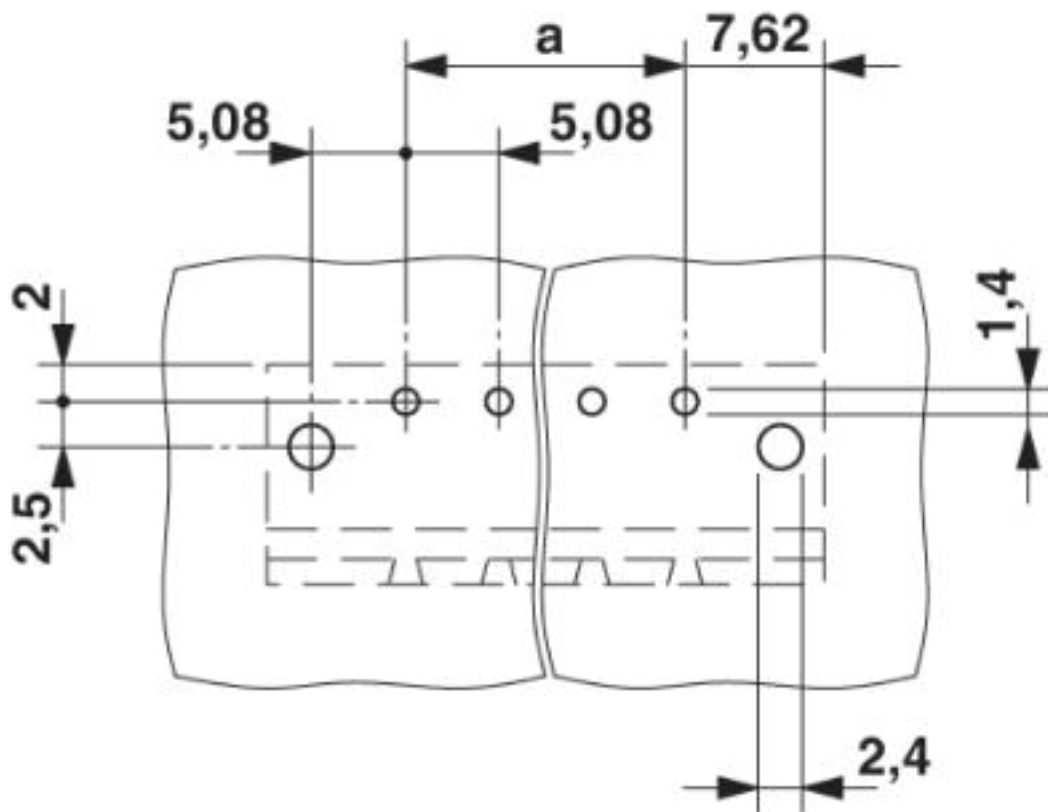


---

### Drawings

# Base strip - MSTB 2,5 HC/ 2-GF-5,08 - 1924088

Drilling diagram



Dimensioned drawing

