

**Industrial Ethernet
IE-CD-V14MSCRJ-MM-C-MA**

Weidmüller Interface GmbH & Co. KG
Klingenbergstraße 16
D-32758 Detmold
Germany
Fon: +49 5231 14-0
Fax: +49 5231 14-292083
www.weidmueller.com



Coupling FreeCon design for Fibre-optic plug-in connectors PushPull Var.14 according to IEC 61076-3-117, metal

General ordering data

Type	IE-CD-V14MSCRJ-MM-C-MA
Order No.	1318150000
Version	Junction box, FreeCon, SCRJ, Coupling
GTIN (EAN)	4050118123982
Qty.	1 pc(s).

Industrial Ethernet IE-CD-V14MSCRJ-MM-C-MA

Weidmüller Interface GmbH & Co. KG
 Klingenbergstraße 16
 D-32758 Detmold
 Germany
 Fon: +49 5231 14-0
 Fax: +49 5231 14-292083
 www.weidmueller.com

Technische Daten

Dimensions and weights

Net weight	224.56 g
------------	----------

Temperatures

Operating temperature	-40 °C...+70 °C	Storage temperature	
Installation temperature			

General data

Housing main material	Aluminium profile, Cover: die-cast zinc, painted	Protection degree	IP 65
-----------------------	--	-------------------	-------

Optical properties of fibre-optic coupling

Insertion attenuation (fibre-optic coupling)	< 0.2 dB
--	----------

Standards

Connector standard	IEC 61076-3-117 Var. 14, IEC 61754-24
--------------------	---------------------------------------

Technical specifications - fibre-optic coupler

Connection 1	SCRJ	Connection 2	SCRJ
Fibre type	Multimode, POF	Housing base material (fibre-optic coupling)	PA
Plugging cycles (fibre-optic coupling)	≥ 500	Seal material (fibre-optic coupling)	NBR

Classifications

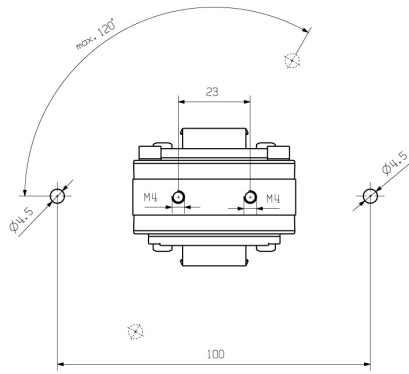
eClass 6.2	27-25-05-04	eClass 7.1	27-25-05-04
------------	-------------	------------	-------------

**Industrial Ethernet
IE-CD-V14MSCRJ-MM-C-MA**

Weidmüller Interface GmbH & Co. KG
Klingenbergstraße 16
D-32758 Detmold
Germany
Fon: +49 5231 14-0
Fax: +49 5231 14-292083
www.weidmueller.com

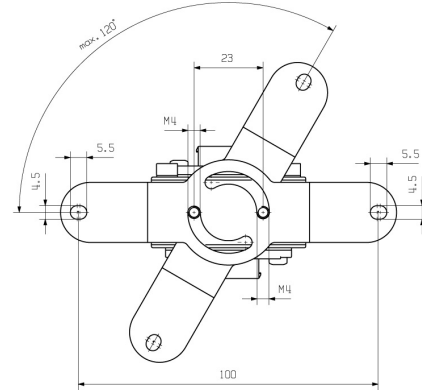
Zeichnungen

Dimensioned drawing



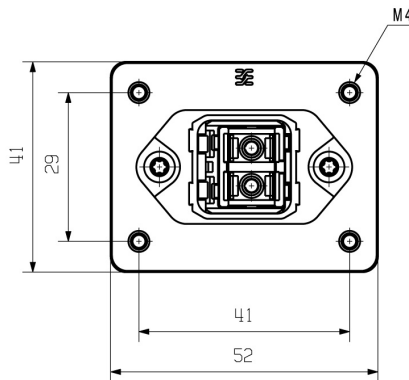
Bottom view

Dimensioned drawing



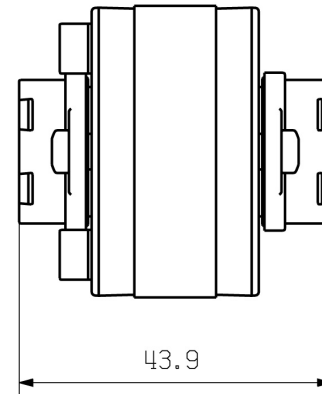
Bottom view with mounting foot

Dimensioned drawing



Front view

Dimensioned drawing



Side view