

**SAI Passive
SAI-8-M 5P M12 ZF III**

Weidmüller Interface GmbH & Co. KG
Klingenbergstraße 16
D-32758 Detmold
Germany
Fon: +49 5231 14-0
Fax: +49 5231 14-292083
www.weidmueller.com



M12 distributors are available in various versions. The 4, 6 or 8 M12 slots are in 4 or 5 pole design. The group outlet is designed as a fixed cable version, hood version for connection by the user, or with M23. Special versions are also available. For instance, there are 1-to-1 distributors for use with any connection types, or distributors approved for Ex Zone 1.

General ordering data

Type	SAI-8-M 5P M12 ZF III
Order No.	1767880000
Version	SAI Passive, Sensor-actuator passive distributor, M12, Hood version, Yes
GTIN (EAN)	4032248111367
Qty.	1 pc(s).

SAI Passive SAI-8-M 5P M12 ZF III

Weidmüller Interface GmbH & Co. KG
 Klingenbergstraße 16
 D-32758 Detmold
 Germany
 Fon: +49 5231 14-0
 Fax: +49 5231 14-292083
 www.weidmueller.com

Technische Daten

Dimensions and weights

Length	152 mm	Net weight	287 g
--------	--------	------------	-------

General data

Connection type PE	Tension clamp connection	Number of contact sockets	8
Fire behaviour	V-0	Contact tube diameter	M12
No. of poles	8	Storage space	Standard
Plugging cycles	≤ 50	Pollution severity	3
Cable gland	M 20	Distributor outlet	Hood version
Insulation resistance	10 ⁹ Ω	Rated voltage , max.	30 V
Rated voltage , min.	10 V	Electrical isolation available	Yes
Test voltage	1 kV	Current per signal	2 A
Total current	10 A	Max. current-carrying capacity per slot	4 A
Housing main material	Pocan	Housing colour	grey, RAL 7032
Screw socket	CuZn, nickel-plated	Hood sealing material	Viton
Contact material	CuZn	Contact surface	Gold-plated
Contact carrier material	PBT (UL 94 V0)	Sheathing stripping length	100 mm
Clamping range, rated connection, max.	1.5 mm ²	Clamping range, rated connection, min.	0.08 mm ²
Conductor O.D.	6 - 12mm	Conductor O.D., max.	12 mm
Conductor O.D., min.	6 mm	LED initiator	Yes
LED	Yes	LED colour for indicating operation	green
LED colour for I/O function	yellow		

Classifications

ETIM 3.0	EC001856	UNSPSC	30-21-18-01
eClass 6.2	27-06-91-90	eClass 7.1	27-06-91-90

Approvals

Approvals



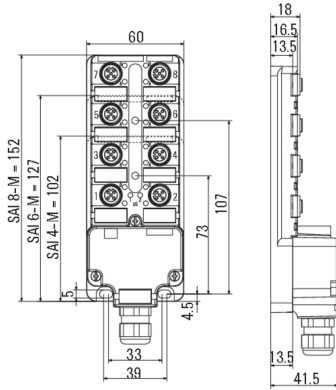
ROHS Conform

**SAI Passive
SAI-8-M 5P M12 ZF III**

Weidmüller Interface GmbH & Co. KG
 Klingenbergstraße 16
 D-32758 Detmold
 Germany
 Fon: +49 5231 14-0
 Fax: +49 5231 14-292083
 www.weidmueller.com

Zeichnungen

Dimensioned drawing



Circuit diagram

