

SAI-4-MF 5P PUR 10M

Weidmüller Interface GmbH & Co. KG
Klingenbergstraße 16
D-32758 Detmold
Germany
Fon: +49 5231 14-0
Fax: +49 5231 14-292083
www.weidmueller.com



M12 distributors are available in various versions. The 4, 6 or 8 M12 slots are in 4 or 5 pole design. The group outlet is designed as a fixed cable version, hood version for connection by the user, or with M23. Special versions are also available. For instance, there are 1-to-1 distributors for use with any connection types, or distributors approved for Ex Zone 1.

General ordering data

Type	SAI-4-MF 5P PUR 10M
Order No.	1804580000
Version	Sensor-actuator passive distributor, M12, Hood version, 10 m, Yes
GTIN (EAN)	4032248266326
Qty.	1 pc(s).

SAI-4-MF 5P PUR 10M

Weidmüller Interface GmbH & Co. KG
 Klingenbergstraße 16
 D-32758 Detmold
 Germany
 Fon: +49 5231 14-0
 Fax: +49 5231 14-292083
 www.weidmueller.com

Technische Daten

Dimensions and weights

Net weight 1,211 g

General data

Connection type PE	Screw connection	Number of contact sockets	4
Fire behaviour	V-0	Contact tube diameter	M12
No. of poles	5	Storage space	Standard
Plugging cycles	≤ 50	Pollution severity	3
Distributor outlet	Hood version	Insulation resistance	10 ⁹ Ω
Rated voltage , max.	30 V	Rated voltage , min.	10 V
Test voltage	1 kV	Max. current-carrying capacity per slot	4 A
Housing main material	Pocan	Housing colour	grey, RAL 7032
Screw socket	CuZn, nickel-plated	Hood sealing material	Viton
Contact material	CuZn	Contact surface	Gold-plated
Contact carrier material	PBT (UL 94 V0)	Cable length	10 m
Clamping range, rated connection, max.	1.5 mm ²	Clamping range, rated connection, min.	0.08 mm ²
Conductor O.D.	-	LED initiator	Yes
LED	Yes	LED colour for indicating operation	green
LED colour for I/O function	yellow		

Classifications

ETIM 3.0	EC001856	UNSPSC	30-21-18-01
eClass 6.2	27-06-91-90	eClass 7.1	27-06-91-90

Approvals

Approvals



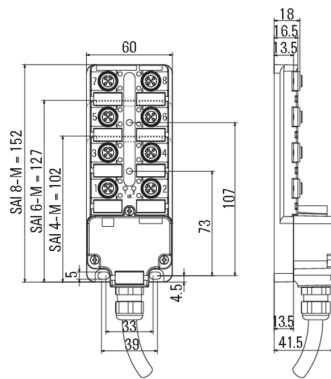
ROHS Conform

SAI-4-MF 5P PUR 10M

Weidmüller Interface GmbH & Co. KG
 Klingenbergstraße 16
 D-32758 Detmold
 Germany
 Fon: +49 5231 14-0
 Fax: +49 5231 14-292083
 www.weidmueller.com

Zeichnungen

Dimensioned drawing



Circuit diagram

