

**950D SERIES SINGLE RATIO METAL GEARBOX**

**(RE 385 MOTOR)**



**RATIOS NOW AVAILABLE AS EX-STOCK ITEMS.**

950D2.51	(4.5v - 15v)	WITH RE 385 MOTOR. RATIO 2.5:1
950D61	(4.5v - 15v)	WITH RE 385 MOTOR. RATIO 6:1
950D111	(4.5v - 15v)	WITH RE 385 MOTOR. RATIO 11:1
950D501	(4.5v - 15v)	WITH RE 385 MOTOR. RATIO 50:1
950D1481	(4.5v - 15v)	WITH RE 385 MOTOR. RATIO 148:1
950D8101	(4.5v - 15v)	WITH RE 385 MOTOR. RATIO 810:1
950D30001	(4.5v - 15v)	WITH RE 385 MOTOR. RATIO 3000:1

Designed for heavy-duty industrial and model applications this robust unit boasts a powerful high quality, five pole motor with sintered bronze bearings. The all steel gearbox incorporates bronze output bearings, enabling the high torque transfer from the motor to be transmitted through the gearbox. The unit is mounted on a 1mm thick plated steel bracket.

**MOTOR DATA. (RE-385)**

MODEL	VOLTAGE		NO LOAD		AT MAXIMUM EFFICIENCY						STALL TORQUE	
	OPERATING RANGE	NOMINAL	SPEED	CURRENT	SPEED	CURRENT	TORQUE		OUTPUT	EFF	oz - in	g - cm
			R.P.M.	A	R.P.M.	A	oz - in	g - cm	W	%		
RE - 385	6.0 - 15.0	12v CONSTANT	11000	0.155	9281	0.837		65.3	6.21	61.85		417.6

**REDUCTION TABLE. R.P.M.**

SUPPLY VOLTAGE	4.5v	6.0v	9.0v	12.0v	15.0v
950D2.51	1890	2520	3375	5040	6300
950D61	787	1050	1575	2100	2625
950D111	429	572	858	1145	1430
950D501	94	126	189	252	315
950D1481	32	42	64	85	106
950D8101	5	7	11	15	18
950D30001	1.5	2	3	4	5

WEIGHT	
950D2.51	146g
950D6	144g
950D111	148g
950D501	156g
950D1481	162g
950D8101	164g
950D30001	168g

**TORQUE TABLE (g.cm). (Theoretical rating for motor & gearbox combined).**

	AT MAXIMUM EFFICIENCY		STALL TORQUE	
	6V	12V	6V	12V
RE 385 (2.5)	88	176	516	1032
RE 385 (6:1)	211	423	1239	2478
RE 385 (11:1)	388	776	2271	4543
RE 385 (50:1)	1765	3530	10325	20650
RE 385 (148:1)	5224	10448	30562	61124
RE 385 (810:1)	2938	57186		334530
RE 385 (3000:1)	105900	211800	619500	1239000

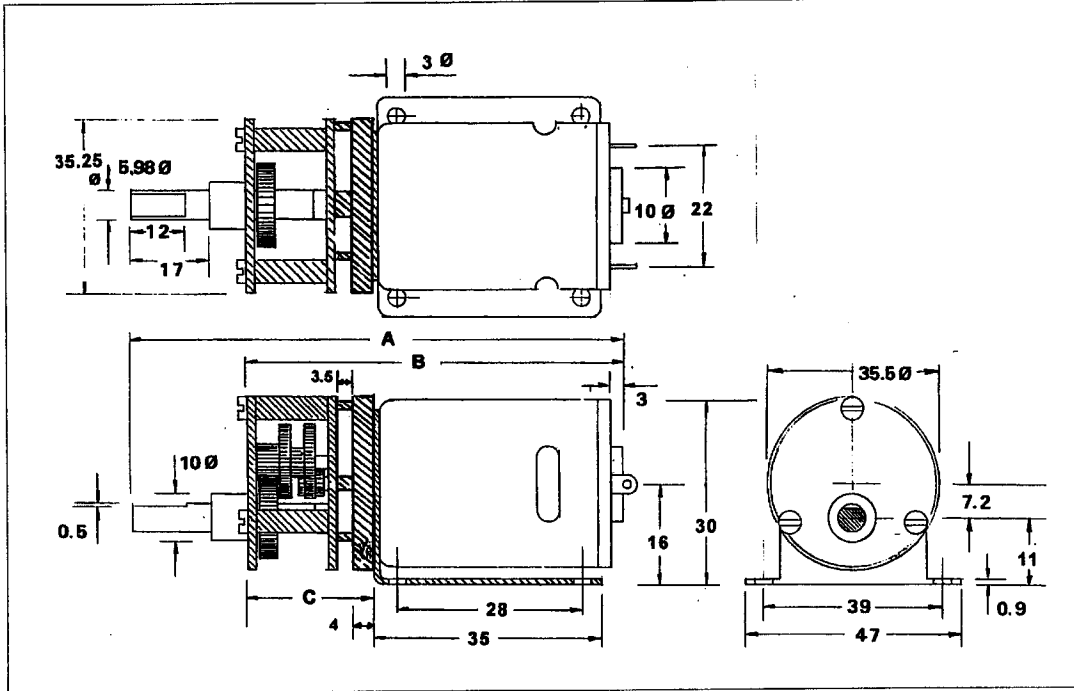
**IMPORTANT NOTICE**  
Due to the wide range of applications for this product it is the users responsibility to establish the products suitability for their individual purpose(s).

NOTE: To establish Torque Rating in nM divide g.cm by 10,197.0

**950D SERIES SINGLE RATIO METAL GEARBOX**

**(RE 385 MOTOR)**

**GEARBOX DIMENSIONS**



GEARBOX REF.	A	B	C
950D2.5:1	85	60	19
950D61 (6:1)	85	60	19
950D111 (11:1)	85	60	19
950D501 (50:1)	90	65	24
950D1481 (148:1)	92	67	26
950D8101 (810:1)	95	70	29
950D3000:1	102	87	31

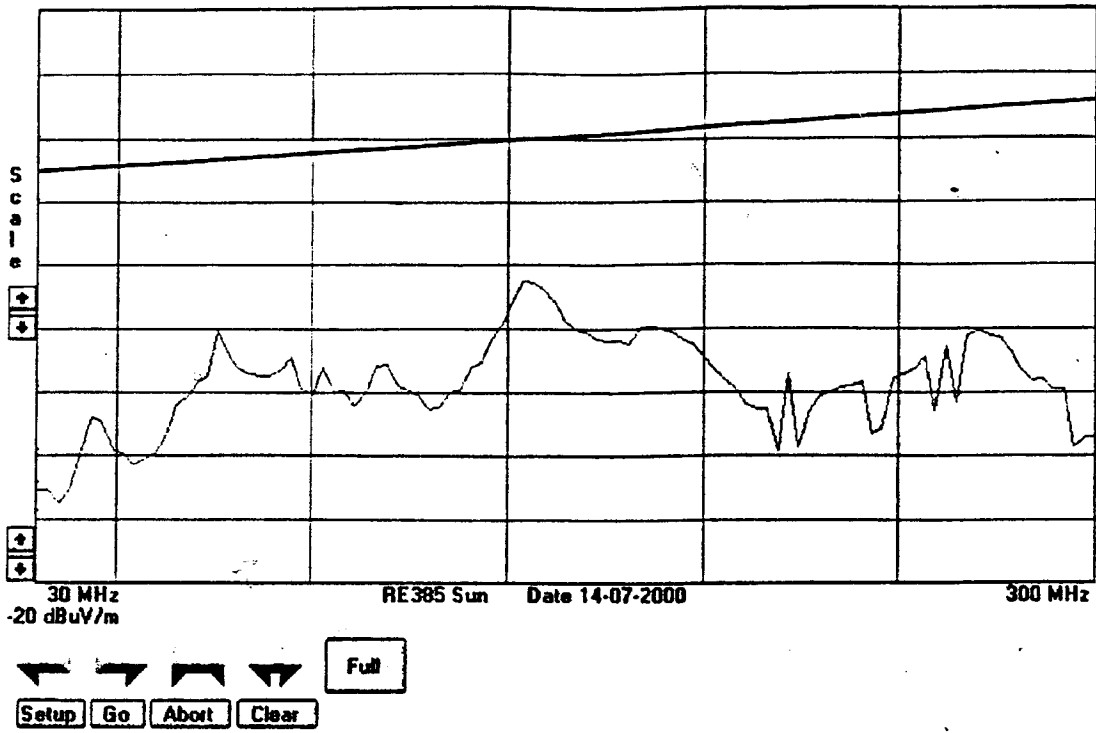
FOR ACCESSORIES TO FIT THIS SERIES GEARBOX, REFER TO 919D SERIES PAGE.

Subject to minimum order quantities of 250 units, the following ratios are also available with a six week lead-time. The physical dimensions of these other gearboxes may vary from the data as illustrated above. Details of individual gearboxes are available upon request.

GEARBOX 18:1 WITH 385 MOTOR.  
 GEARBOX 70:1 WITH 385 MOTOR.  
 GEARBOX 100:1 WITH 385 MOTOR  
 GEARBOX 200:1 WITH 385 MOTOR  
 GEARBOX 350:1 WITH 385 MOTOR  
 GEARBOX 500:1 WITH 385 MOTOR  
 GEARBOX 900:1 WITH 385 MOTOR  
 GEARBOX 3000:1 WITH 385 MOTOR

GEARBOX 30:1 WITH 385 MOTOR.  
 GEARBOX 75:1 WITH 385 MOTOR.  
 GEARBOX 120:1 WITH 385 MOTOR  
 GEARBOX 250:1 WITH 385 MOTOR  
 GEARBOX 400:1 WITH 385 MOTOR  
 GEARBOX 600:1 WITH 385 MOTOR  
 GEARBOX 1000:1 WITH 385 MOTOR

GEARBOX 60:1 WITH 385 MOTOR  
 GEARBOX 90:1 WITH 385 MOTOR.  
 GEARBOX 180:1 WITH 385 MOTOR  
 GEARBOX 300:1 WITH 385 MOTOR  
 GEARBOX 450:1 WITH 385 MOTOR  
 GEARBOX 700:1 WITH 385 MOTOR  
 GEARBOX 1500:1 WITH 385 MOTOR



**RE385SUM**

Test Name	RE385 Sun
Date	14-07-2000
Unit under test	RE385SUN @ 12V
Operators name	Robert Pang
Run number	1
Start frequency	30 MHz
Stop frequency	300 MHz
Pre-amplifier	on
Test limits	<del>EN55013</del> EN55014
Detector type	Q-peak

The applicable standard used is BS EN 55014 : 1993.

The test limit average increases with respect to frequency from 35 to 45dBuV/m over the range 30MHz to 300MHz.

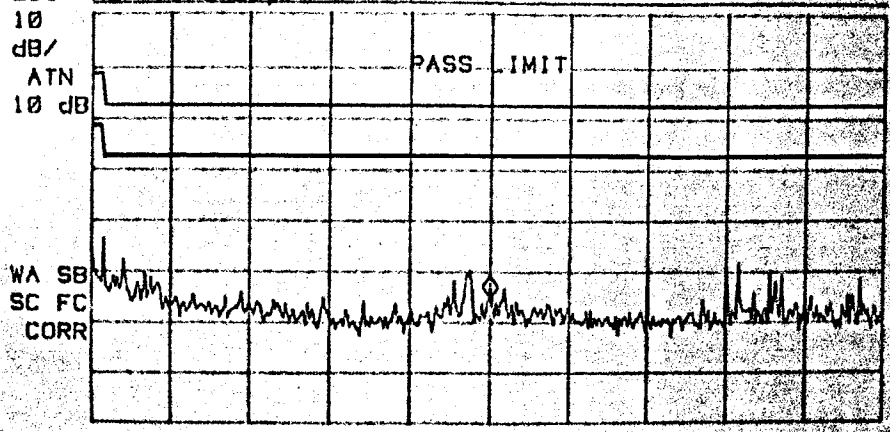
The test limits Quasi-Peak increases with respect to frequency ranging from 45 to 55dBuV/m over the range 30MHz to 300MHz.

18:11:19 JUL 11, 2000

RE 385 (SUN)  
MILROY d.c.  
With VOLTAGE PROBE  
(See MILROY MOTOR  
TEST 12-2-96)

ACTV DET: PEAK  
MEAS DET: PEAK QP AVG  
MKR 15.00 MHz  
19.65 dB $\mu$ V

LOG REF 75.0 dB $\mu$ V



START 150 kHz #IF BW 0.0 kHz AVG BW 30 kHz STOP 30.00 MHz SWP 1.11 oct

RE385sun