

2.00 ϕ POWER CONNECTOR

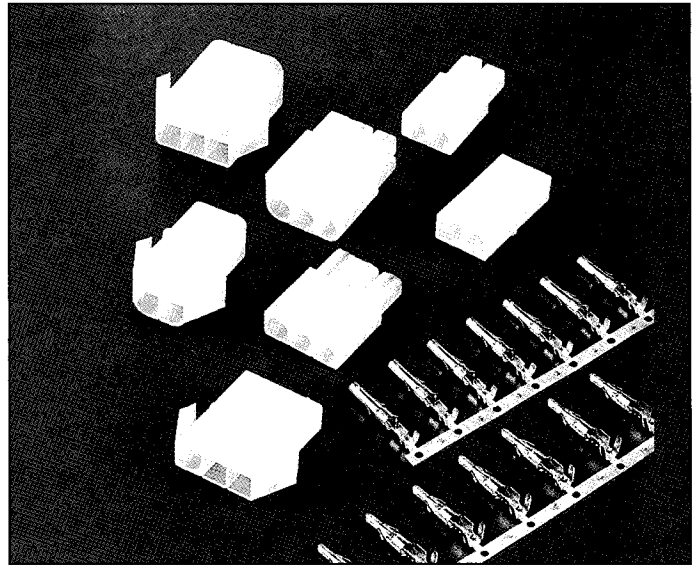
7708 Series

Features:

- 1-15 Circuits
- Voltage rating: 300-600V AC, DC
- Current rating: 9-15A AC, DC
- Withstanding voltage: 1500V AC/minute
- Insulation resistance: 1000M Ω min.
- Temperature range: -25°C to +85°C
(Including temperature rise in applying electrical current)
- Contact resistance: Initial value/10m Ω max.
After environmental testing/20m Ω max.
- Material : Nylon 66 UL 94V-2

Terminal:

- Part No : 7708F-TH, 7708M-TH(AWG-14-18)
7708F-TL, 7708M-TL(AWG 18-22)
- Material : Brass
- Finish : Tin plated
- Thickness : 0.25mm

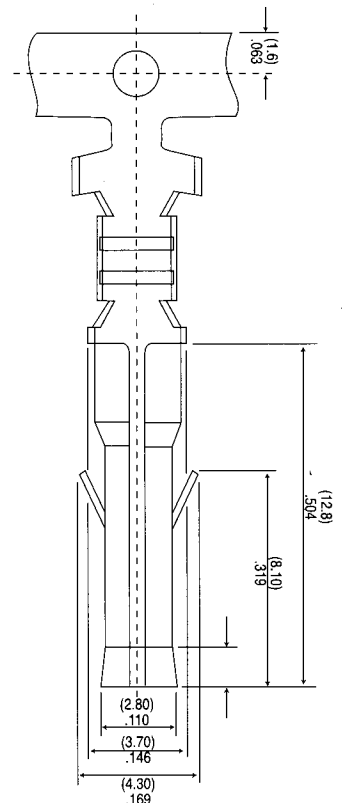
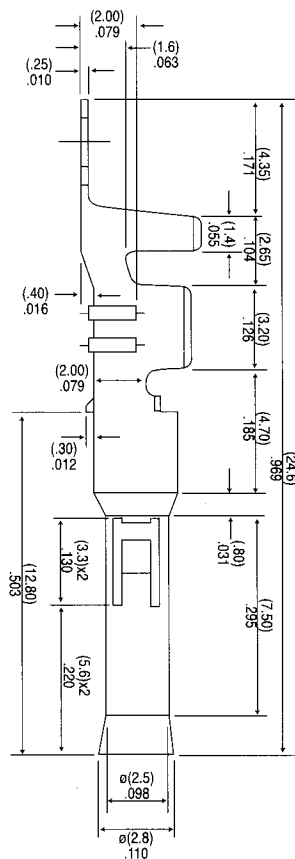
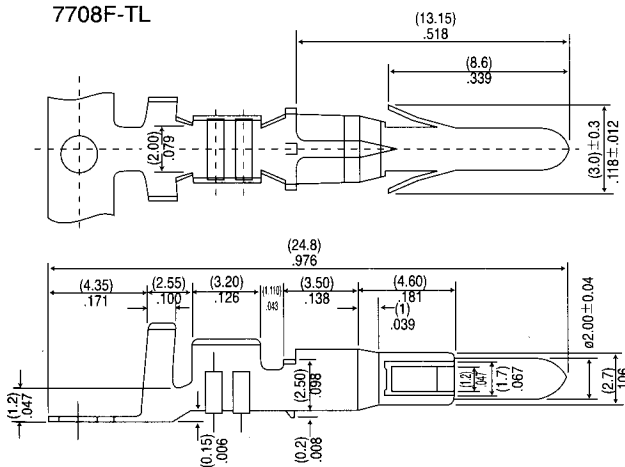


TERMINAL

7708M-TH
7708M-TL

TERMINAL

7708F-TH
7708F-TL



Ordering information 7708 series

Series No.

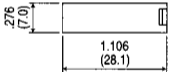

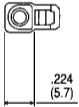
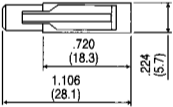
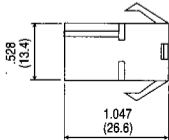

No. of Contacts

7708	—	10P
------	---	-----

7708 Series

2P-15P

(2.00 ϕ) POWER CONNECTORS

Poles	Max. Rated		Dimensional Information			
	Amps	Voltage	Plug		Receptacle	
1	15A	600V	7708F-01	 	7708M-01	 
2	15A	300V	7708F-02E 7708F-02	 	7708M-02	