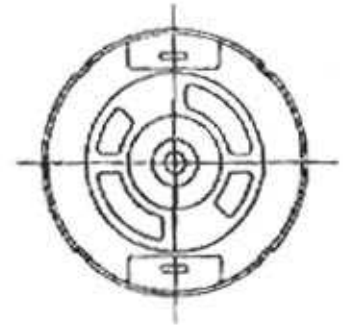
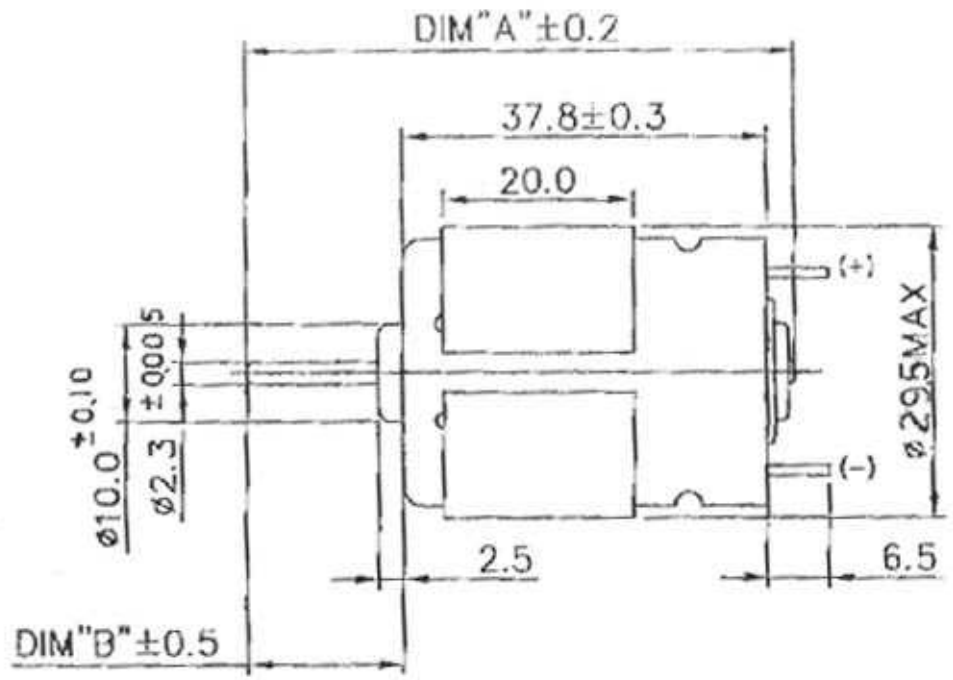
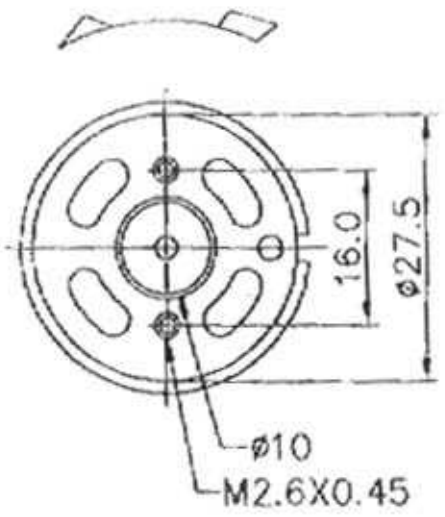


114078. 224803. 5-16-01

DIRECTION OF ROTATION



NOTE :

- 1.LENGTH OF SHAFT DIM "A" 57.0 mm.
- 2.FRONT EXTENSION DIM "B" 16.3 mm.
- 3.END PLAY : 0.05-0.6mm.

MATERIAL	Nichibo Taiwan Corp.
TITLE	TYPE LD3F-4528/57