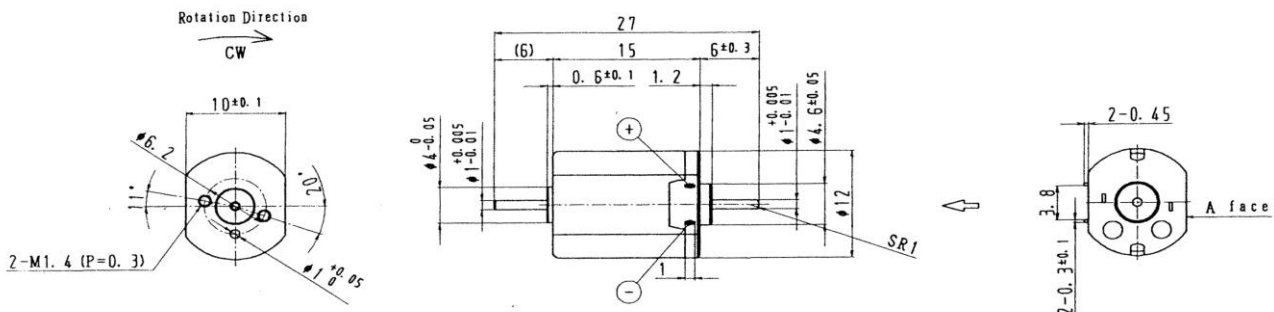
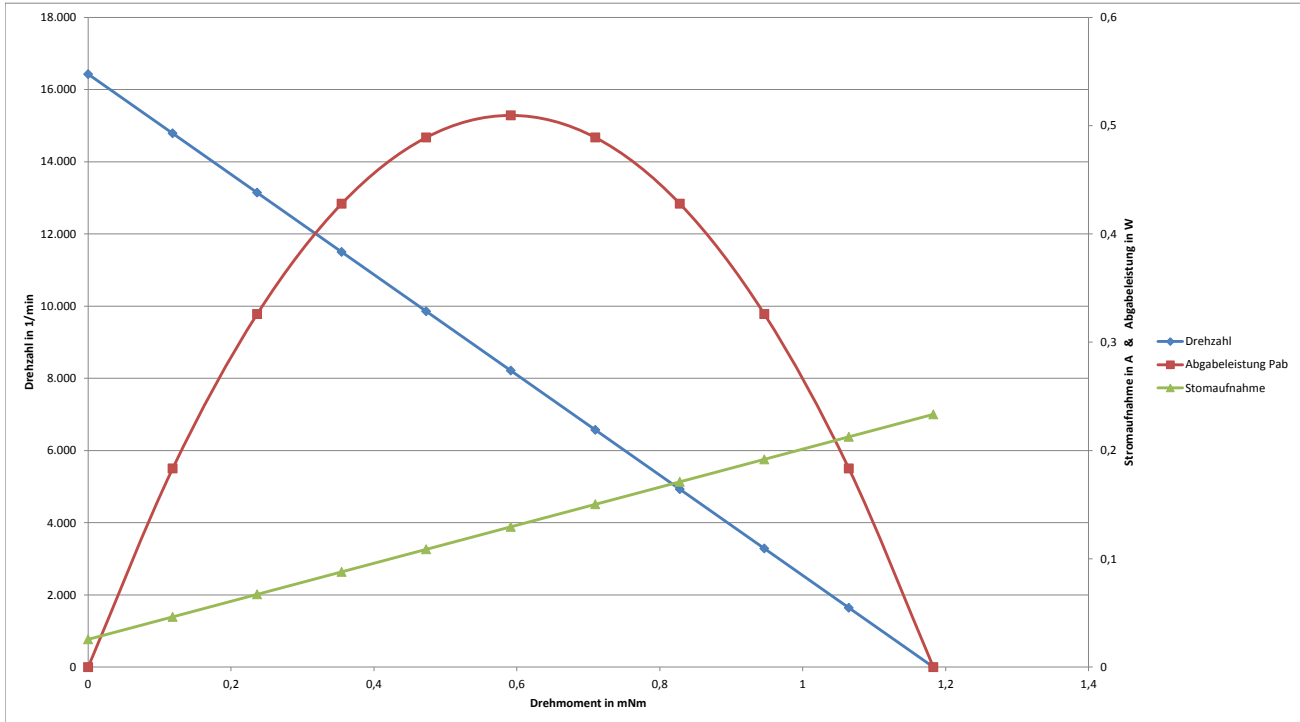


MODEL	VOLTAGE		NO LOAD		AT MAXIMUM EFFICIENCY				STARTING		max. OUTPUT POWER W	POLES	CAPACITOR	BRUSHES
	Operating Range	Nominal	Speed	Current	Speed	Current	Torque	Output Power	Current	Torque				
	VDC	VDC	rpm	A	rpm	A	mNm	W	A	mNm				
12C-124L-CB-12V	9,0-14V	12,0	16.427	0,03	12.300	0,09	0,29	0,27	0,23	1,18	0,46	3	none	carbon



Irrtum und Druckfehler vorbehalten / Errors and Omissions excepted