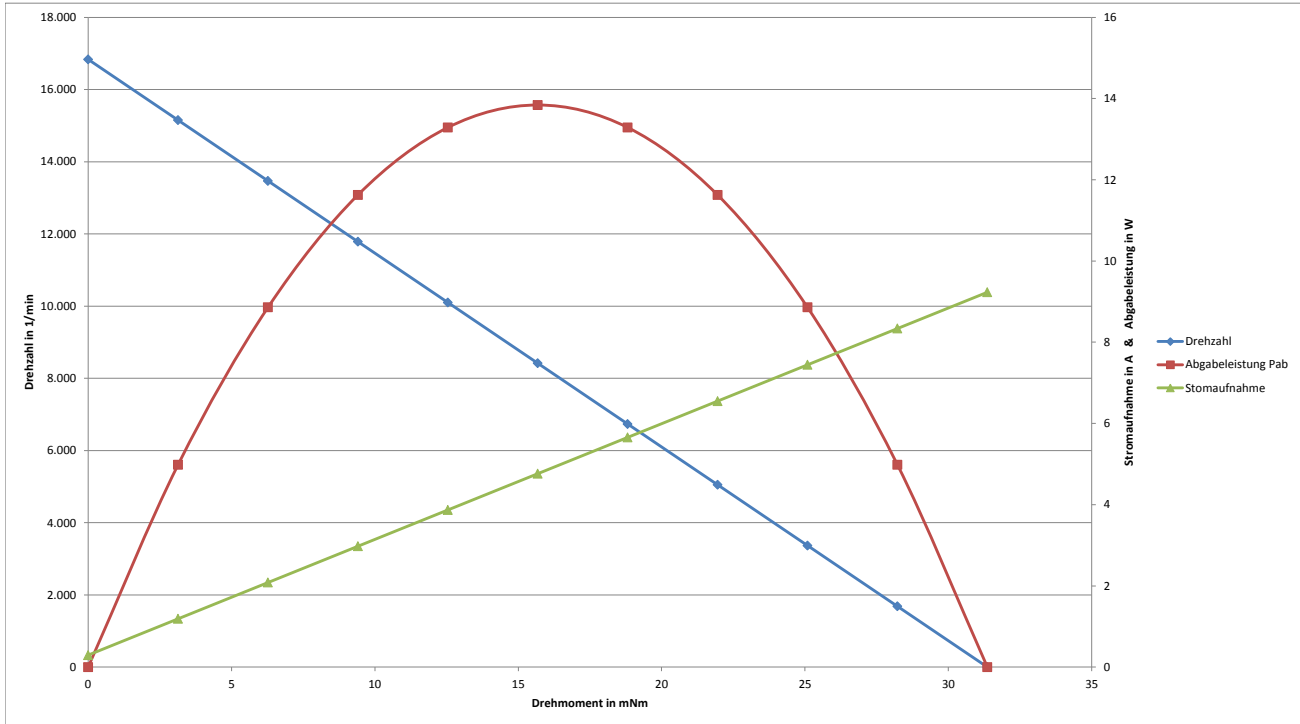
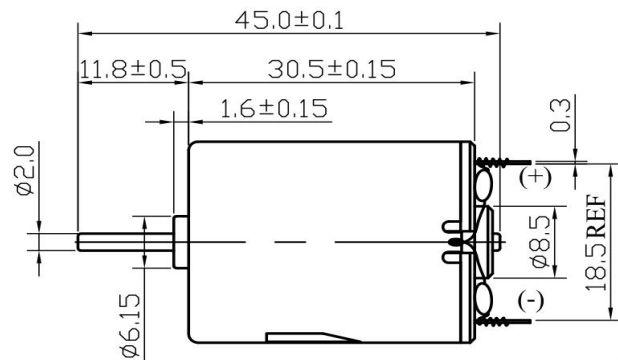
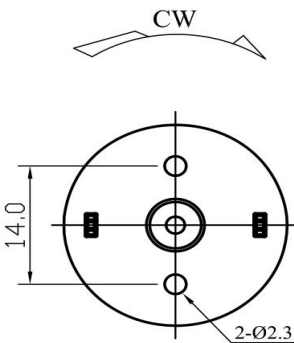


MODEL	VOLTAGE		NO LOAD		AT MAXIMUM EFFICIENCY				STARTING		max. OUTPUT POWER W	POLES	CAPACITOR	BRUSHES
	Operating Range	Nominal	Speed	Current	Speed	Current	Torque	Output Power	Current	Torque				
	VDC	VDC	rpm	A	rpm	A	mNm	W	A	mNm				
SR30L-3055S-45HRACB	3,0-6,0	6,0	16.835	0,30	14.310	1,64	4,70	7,05	9,23	31,36	13,83	3	2x47nF	carbon



DIRECTION OF ROTATION



UNIT: MILLIMETER

