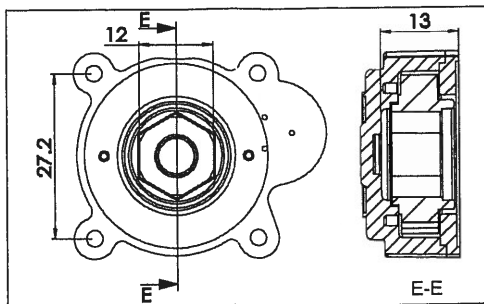
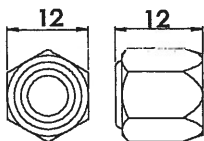


E-starter black plate specification



Please check the thickness of one way bearing seat, and use suitable washer to fit the engine.

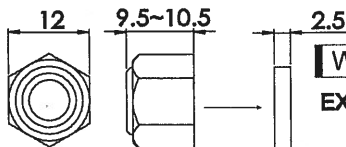


One way bearing seat

No need extra washer

EX:

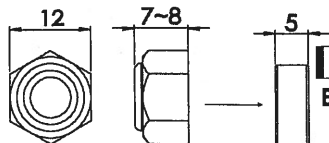
FC engine



Within 2.5mm washer

EX:

Alpha engine



Within 5mm washer

EX:

SH engine