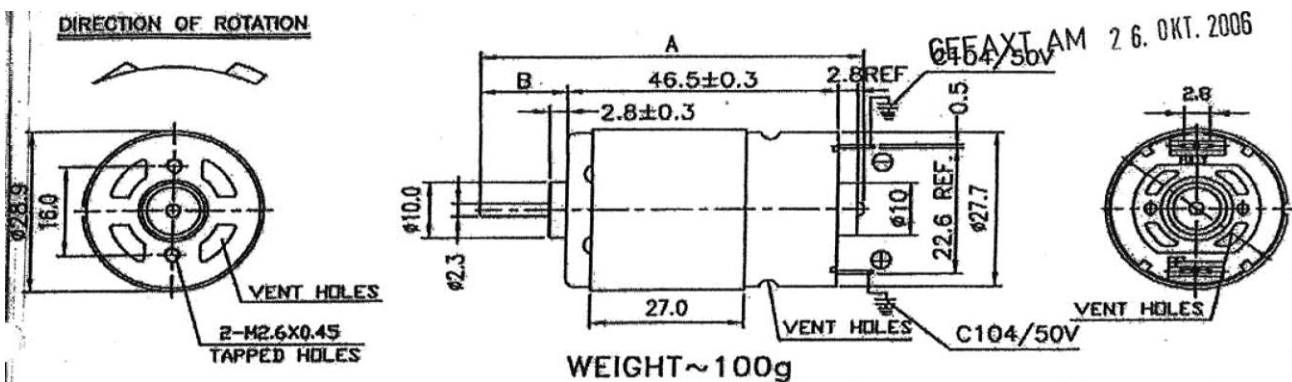
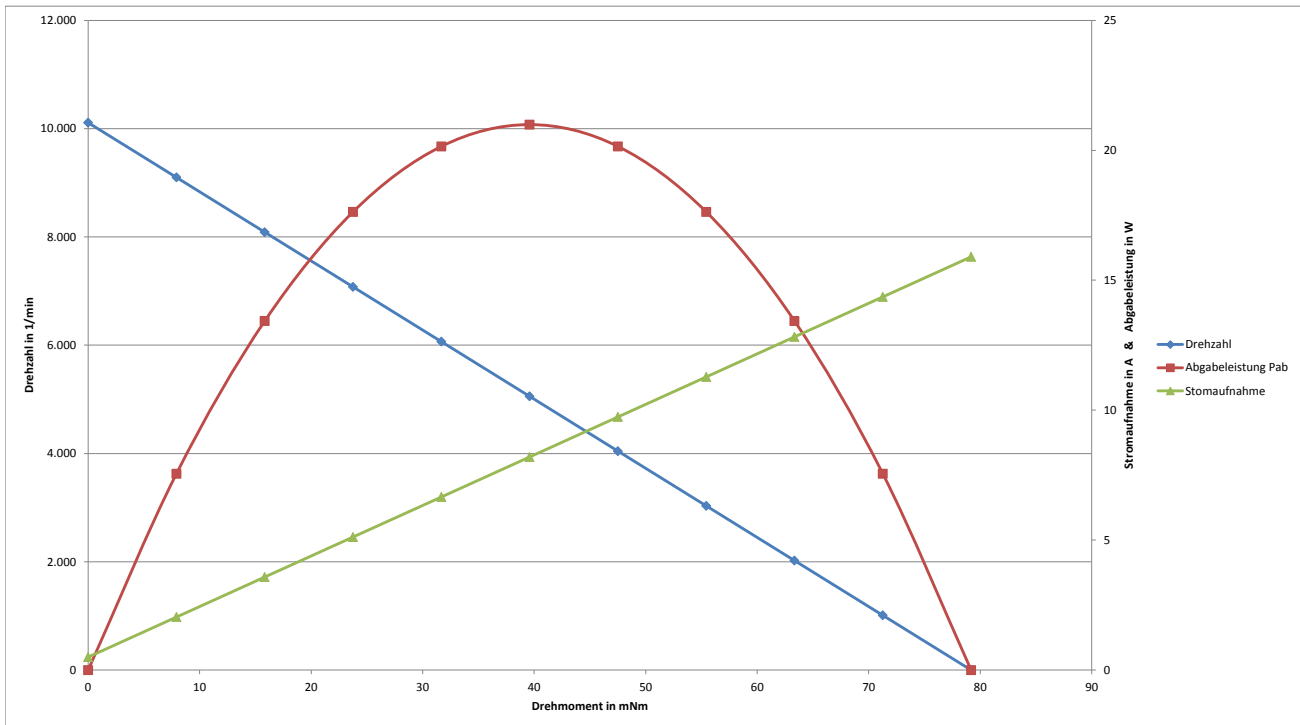


MODEL	VOLTAGE		NO LOAD		AT MAXIMUM EFFICIENCY				STARTING		max. OUTPUT POWER W	POLES	CAPACITOR	BRUSHES
	Operating Range	Nominal	Speed	Current	Speed	Current	Torque	Output Power	Current	Torque				
	VDC	VDC	rpm	A	rpm	A	mNm	W	A	mNm				
FRSEPML3C-K5916B11	6,0-9,0	6,0	10.110	0,50	8.860	2,40	9,80	9,08	15,90	79,18	21,00	3	2x47nF	carbon



Irrtum und Druckfehler vorbehalten / Errors and Omissions excepted