


## Step 1 Front and Rear Differentials

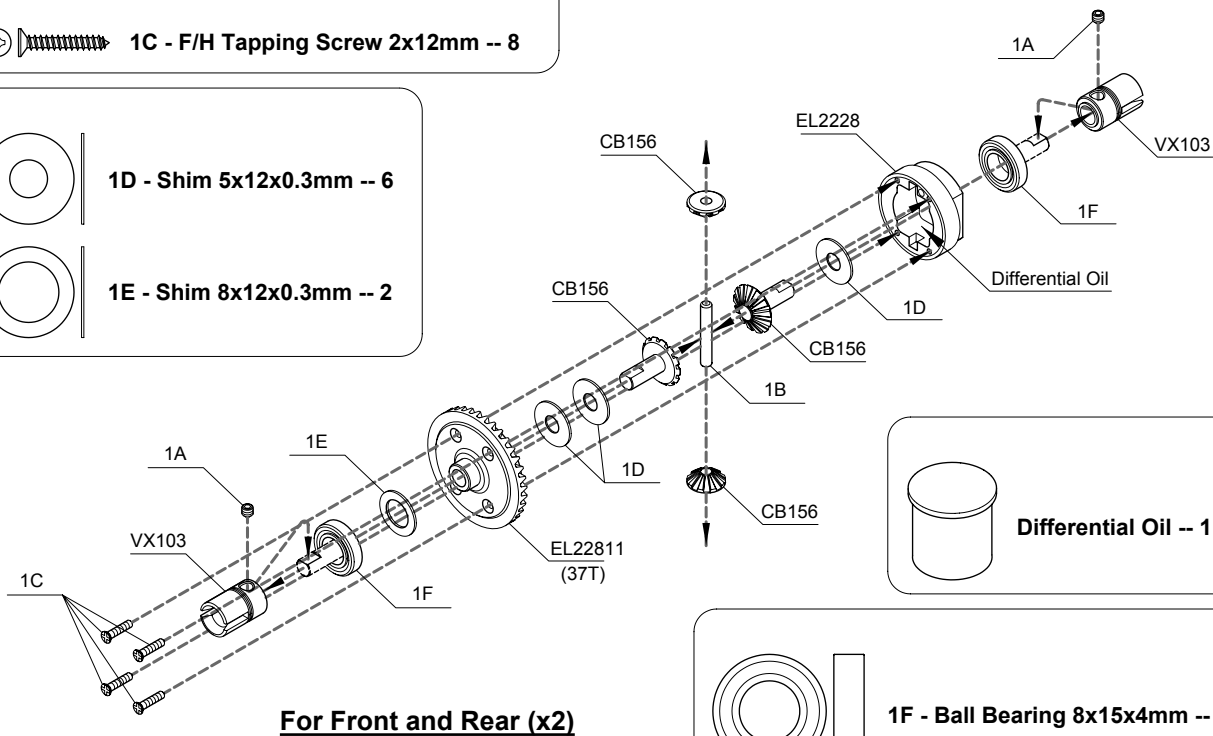
 1A - Grub Screw w/Threadlock 4x4mm -- 4

 1B - Pin 3x19.8mm -- 2

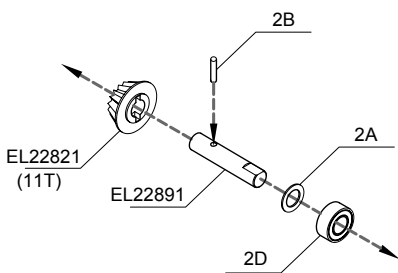
 1C - F/H Tapping Screw 2x12mm -- 8

 1D - Shim 5x12x0.3mm -- 6

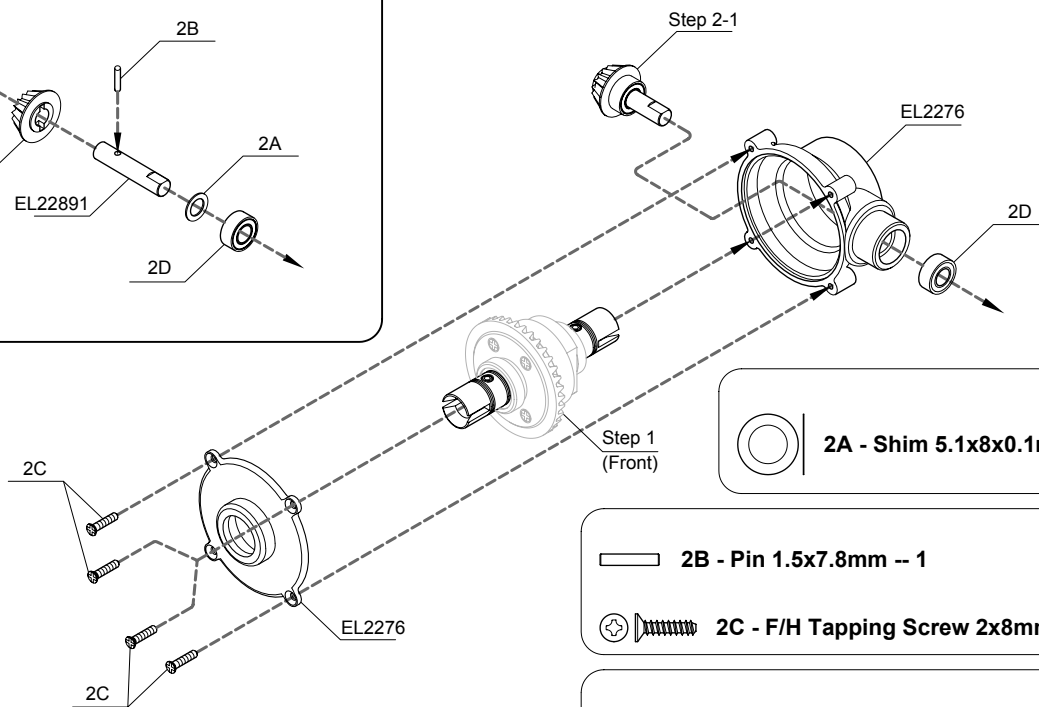
 1E - Shim 8x12x0.3mm -- 2




## Step 2 Front Differential Housing



<2-1>



 2A - Shim 5.1x8x0.1mm -- 1

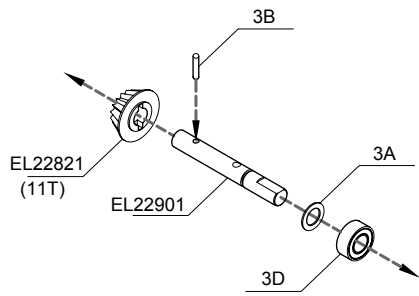
 2B - Pin 1.5x7.8mm -- 1

 2C - F/H Tapping Screw 2x8mm -- 4

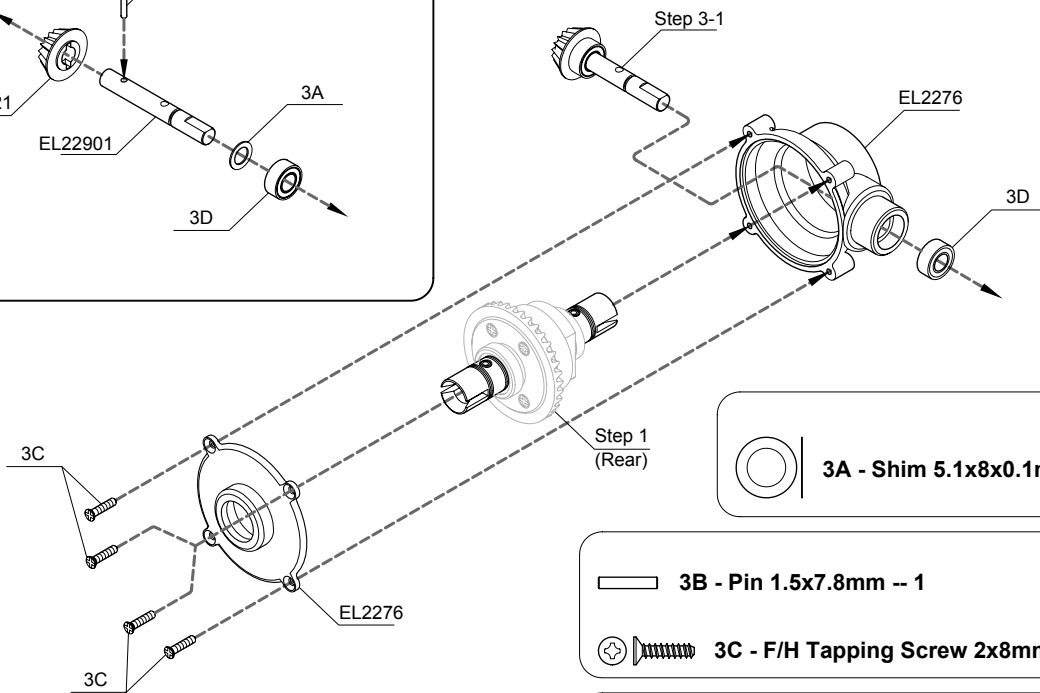
 2D - Ball Bearing 5x10x4mm -- 2

### Step 3

### Rear Differential Housing



<3-1>



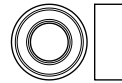
3A - Shim 5.1x8x0.1mm -- 1



3B - Pin 1.5x7.8mm -- 1



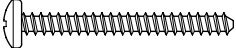
3C - F/H Tapping Screw 2x8mm -- 4



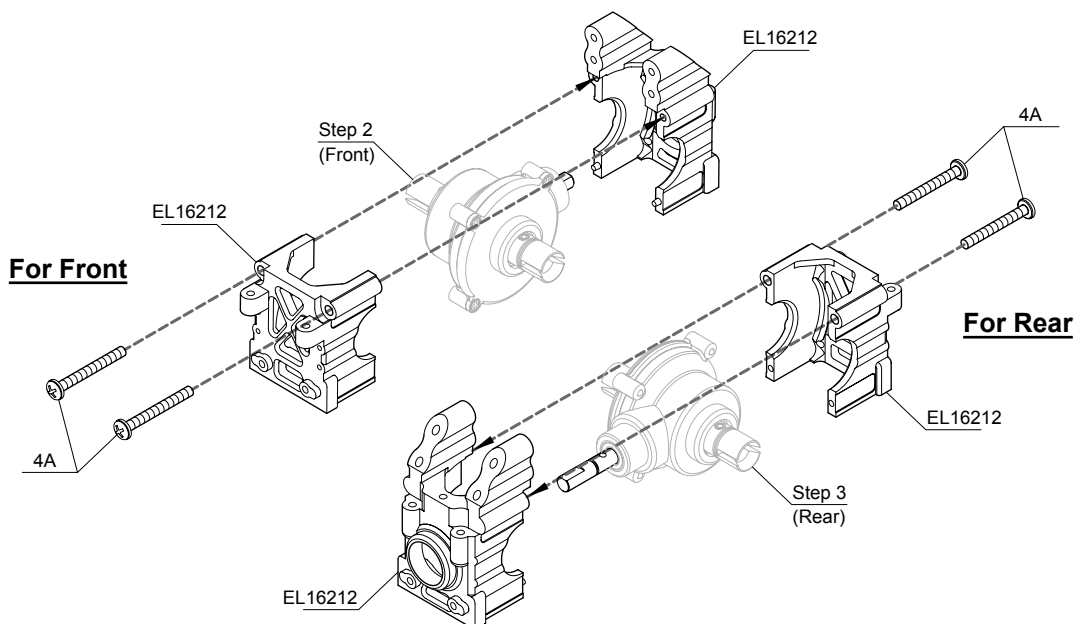
3D - Ball Bearing 5x10x4mm -- 2

### Step 4

### Front and Rear Gearbox



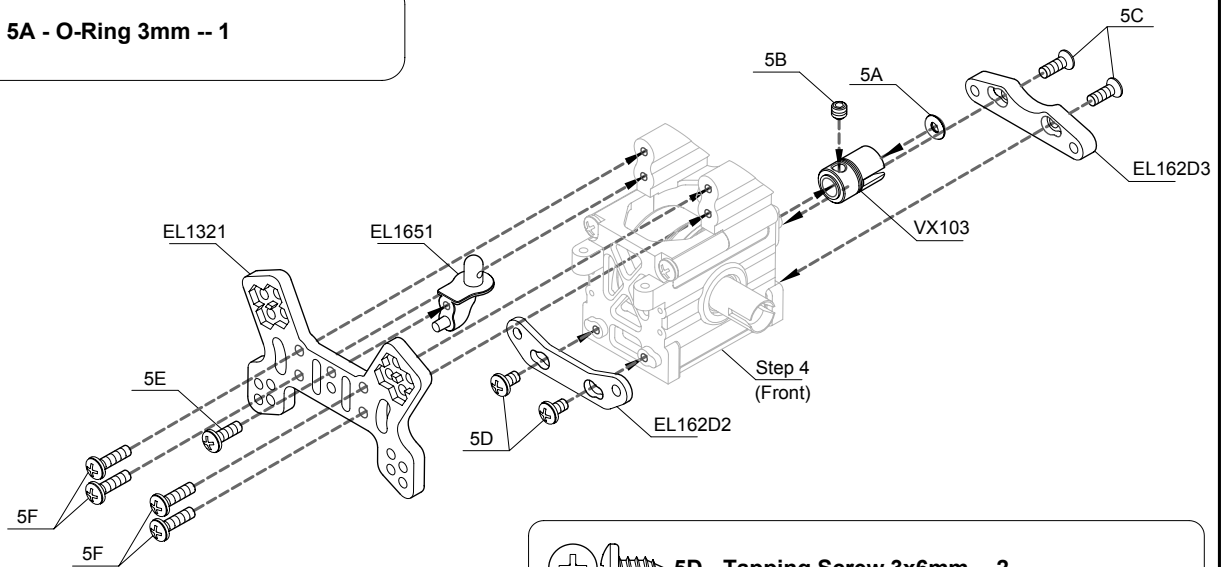
4A - Button Head Tapping Screw 3x28mm -- 4



## Step 5

## Front Shock Tower

 5A - O-Ring 3mm -- 1



 5D - Tapping Screw 3x6mm -- 2

 5E - Tapping Screw 3x10mm -- 1

 5B - Grub Screw w/Glue 4x4mm -- 1

 5C - F/H Tapping Screw 3x10mm -- 2

 5F - Tapping Screw 3x12mm -- 4

## Step 6

## Front CVD and Steering Knuckles

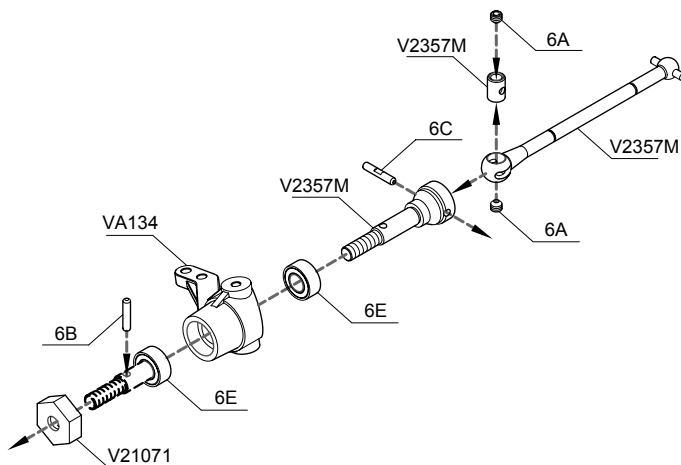
 6A - Grub Screw w/Glue 3x2.6mm -- 4

 6B - Pin 2x9.8mm -- 2

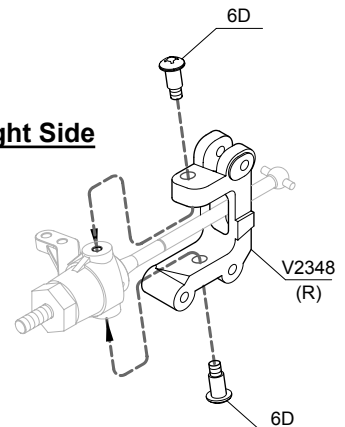
 6C - Pin 2x11mm -- 2

 6D - Rocker Arm Pin 3x10mm -- 4

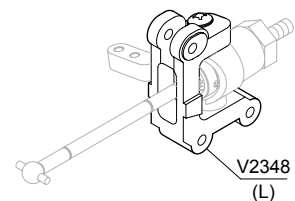
 6E - Ball Bearing 5x10x4mm -- 4



**For Right Side**




**For Left Side**




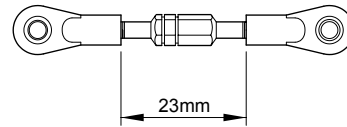
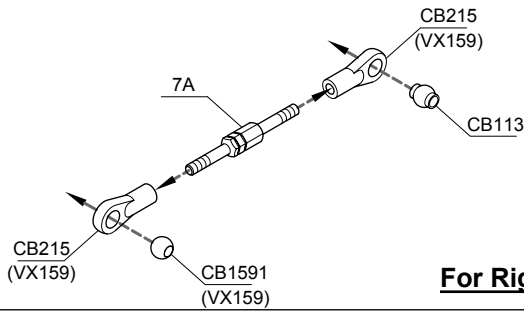
# Step 7

## Front Upper, Lower Suspension Arms and CVD

 7A - Turnbuckle 5x40mm -- 2

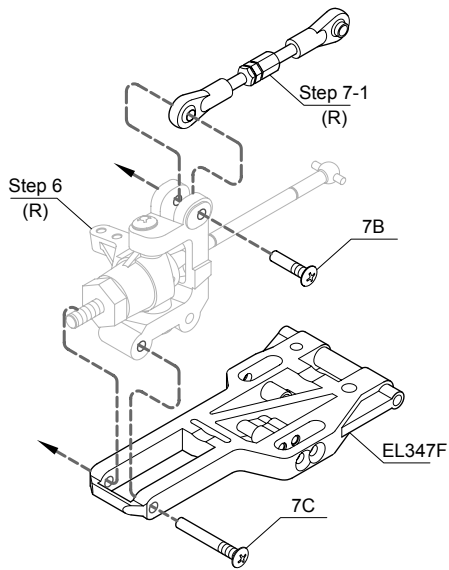
 7B - Hub Studs 3x13.5mm -- 2

 7C - Hub Studs 3x22.5mm -- 2

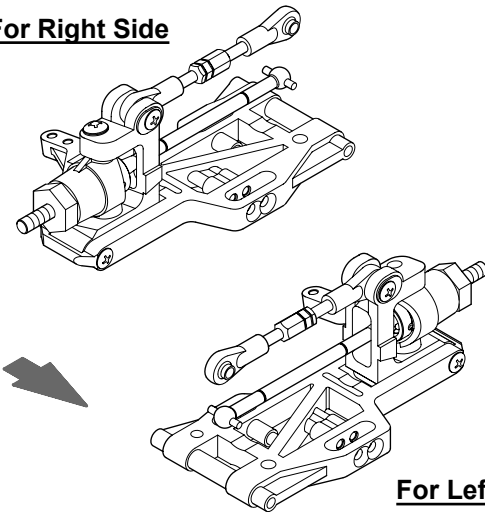


**For Right and Left Sides (x2)**

**<7-1>**



**For Right Side**

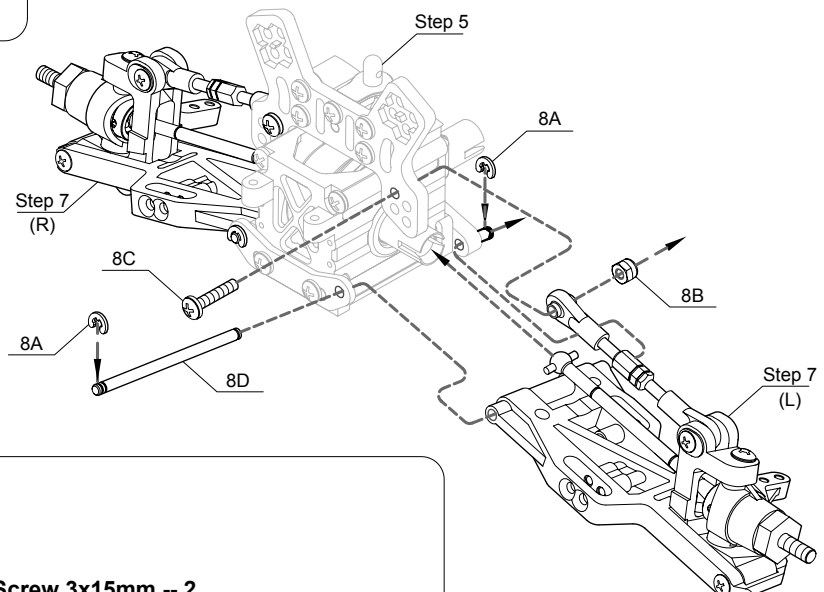


**For Left Side**

# Step 8

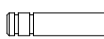
## Front Suspension

 8A - E-Ring 2.5mm -- 4



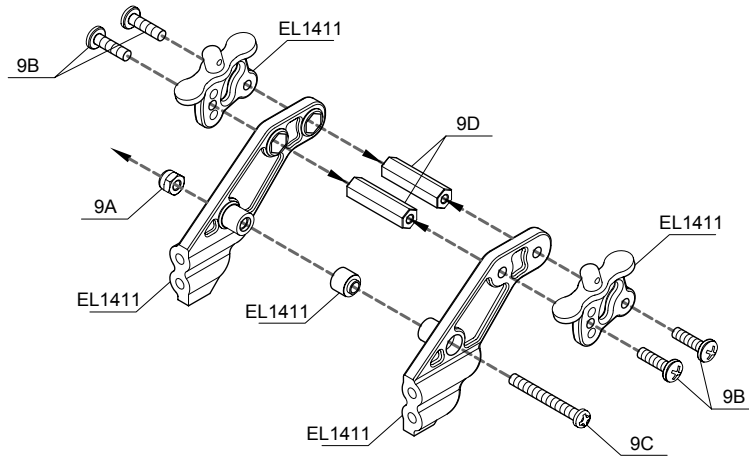
 8B - Lock Nut 3mm -- 2

 8C - Button Head Screw 3x15mm -- 2

 8D - Hinge Pin 3x54mm -- 2

## Step 9

## Wing Stay



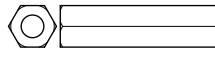
9A - Lock Nut 3mm -- 1



9C - Round Head Machine Screw 3x25mm -- 1



9B - Tapping Screw 3x12mm -- 4



9D - Post 6x21mm -- 2

## Step 10

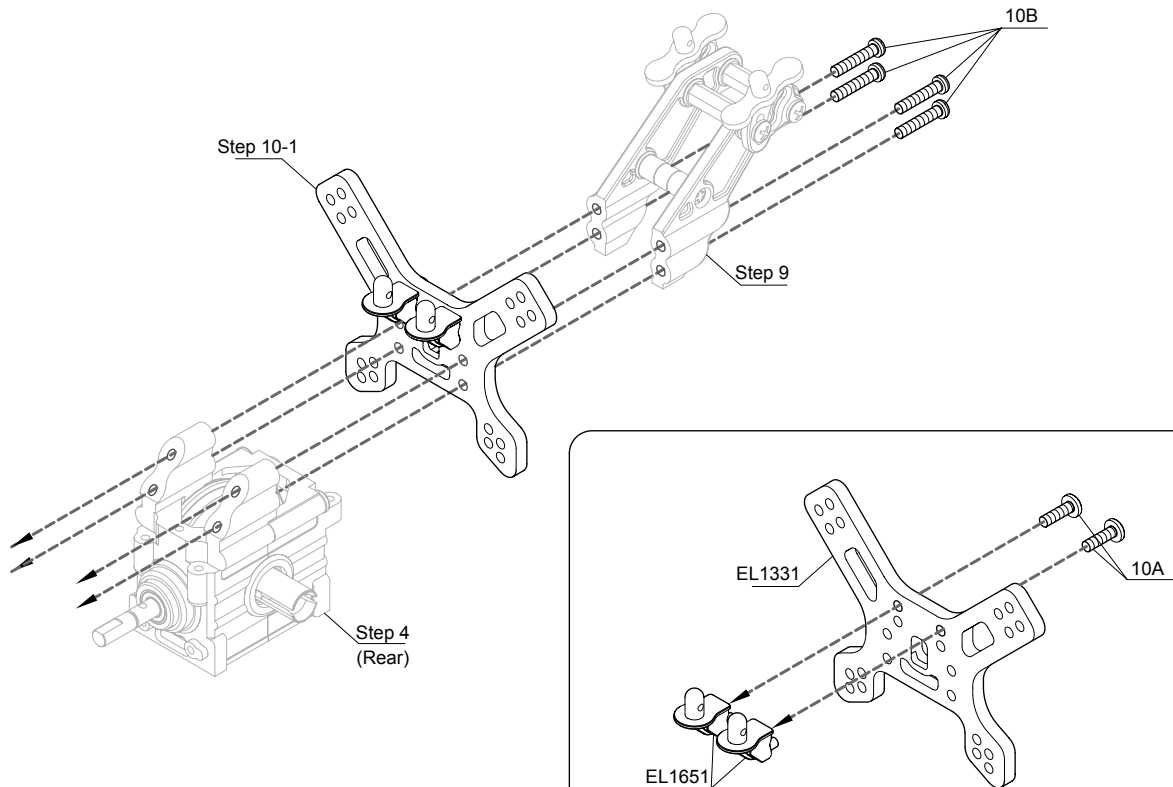
## Rear Shock Tower and Wing Mounting



10A - Tapping Screw 3x10mm -- 2



10B - Tapping Screw 3x15mm -- 4



<10-1>

## Step 11

## Main Gear and Main Gear Mounting



11A - E-Ring 4mm -- 1



11B - Pin 2x9.8mm -- 1



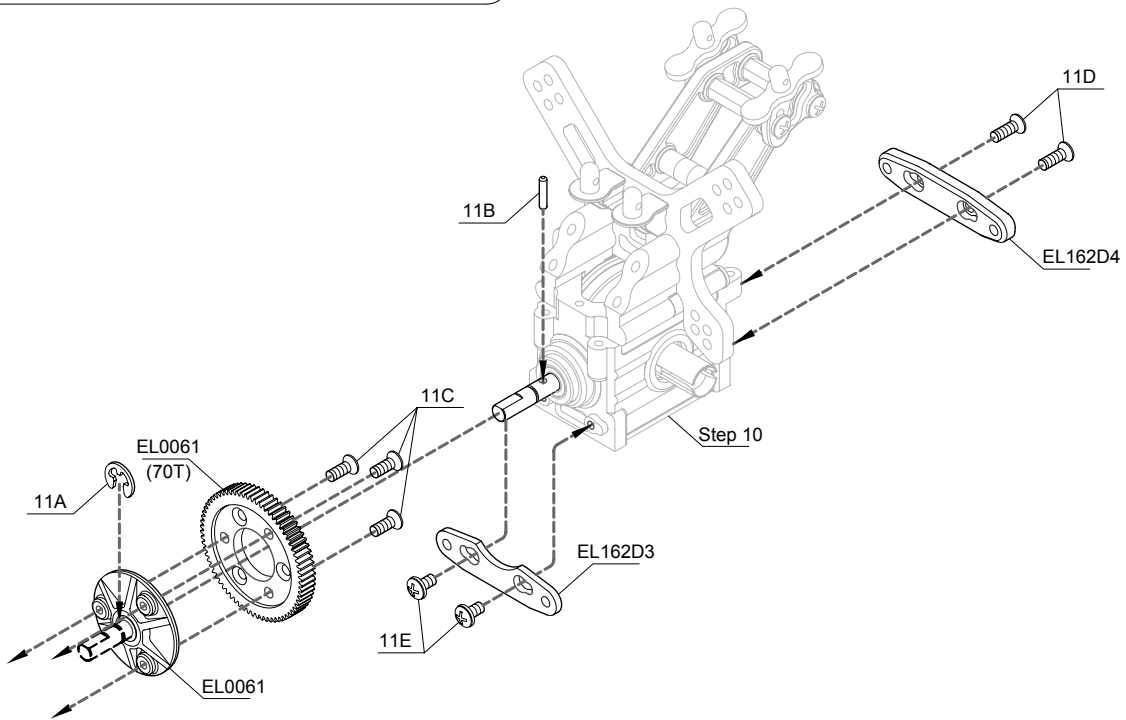
11C - F/H Tapping Screw 3x7mm -- 3



11D - F/H Tapping Screw 3x10mm -- 2



11E - Tapping Screw 3x6mm -- 2



## Step 12

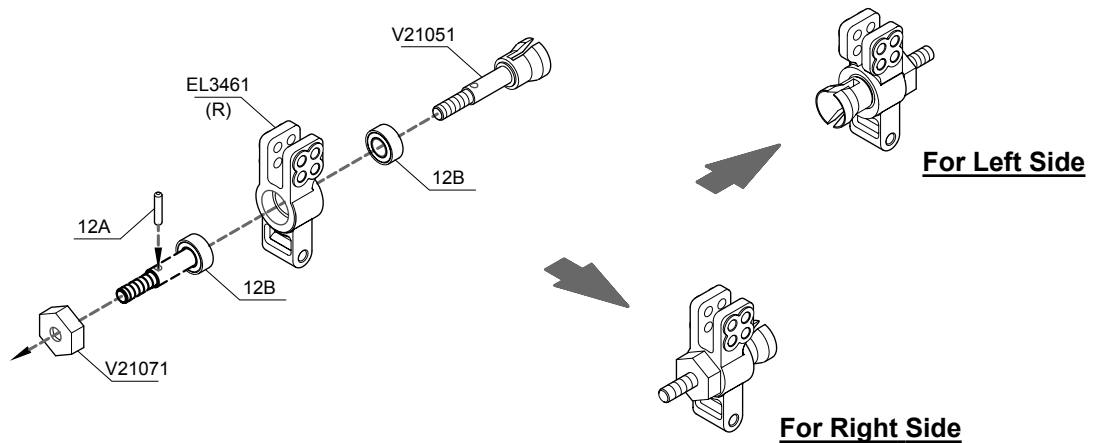
## Rear Hubs



12A - Pin 2x9.8mm -- 2

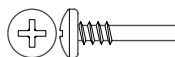


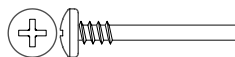
12B - Ball Bearing 5x10x4mm -- 4

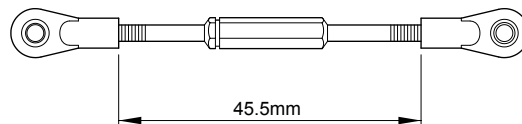
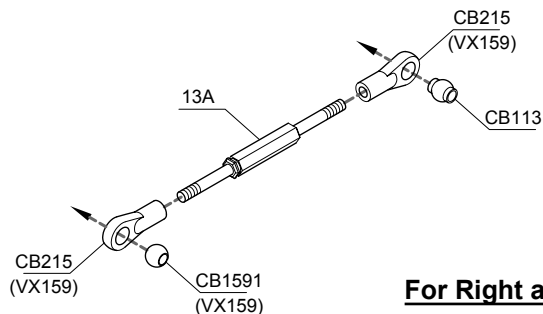


## Step 13 Rear Upper, Lower Suspension Arms and Hubs

 13A - Turnbuckle 5x60mm -- 2

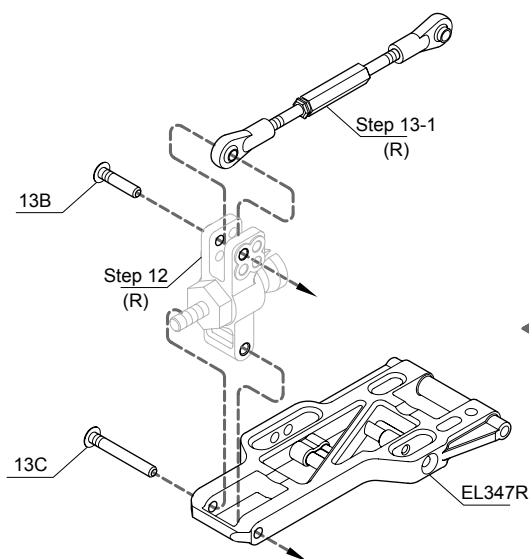
 13B - Hub Studs 3x13.5mm -- 2

 13C - Hub Studs 3x22.5mm -- 2

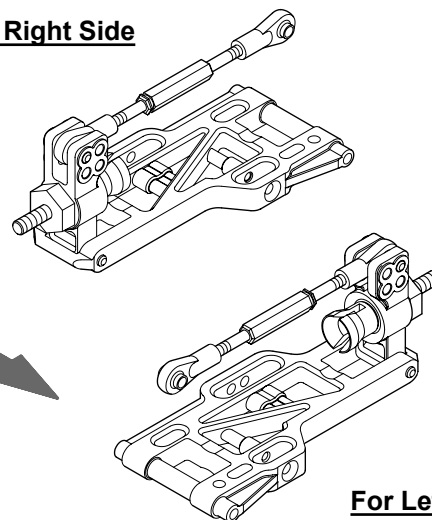


**For Right and Left Sides (x2)**

**<13-1>**




**For Right Side**



**For Left Side**

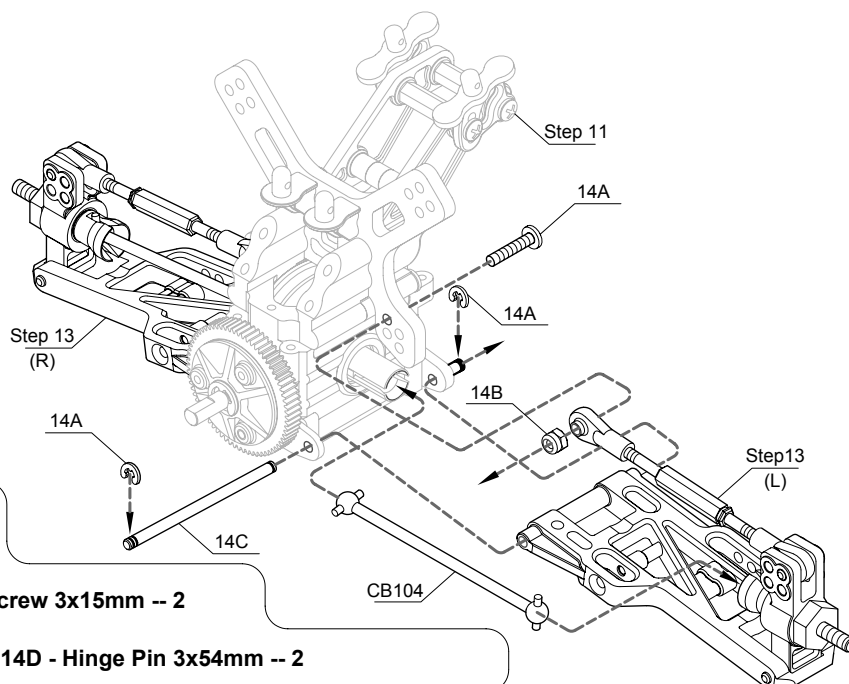
## Step 14 Rear Suspension

 14A - E-Ring 2.5mm -- 4




 14B - Lock Nut 3mm -- 2


 14C - Button Head Screw 3x15mm -- 2

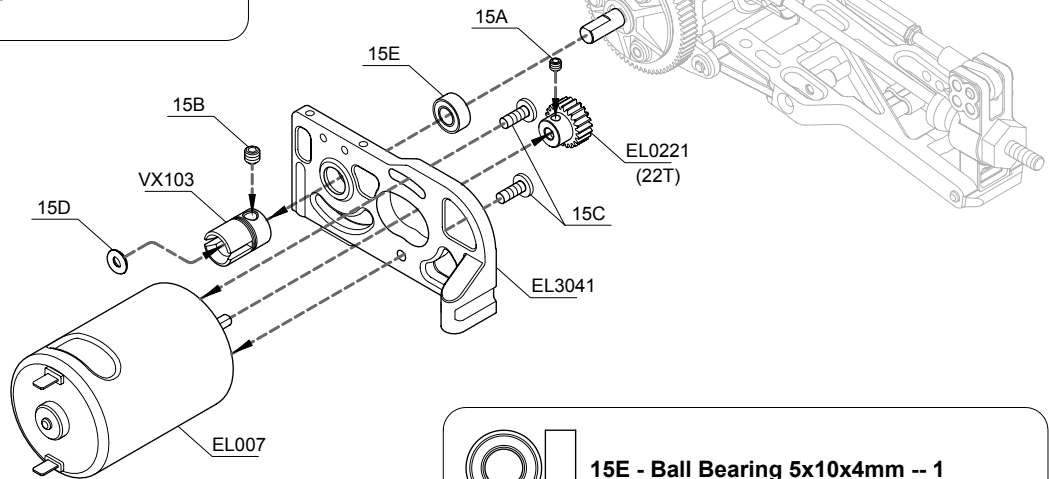
 14D - Hinge Pin 3x54mm -- 2



## Step 15 Motor

-  15A - Grub Screw w/Glue 3x3mm -- 1
-  15B - Grub Screw w/Glue 4x3mm -- 1
-  15C - Button Head Screw w/Glue 3x8mm -- 2

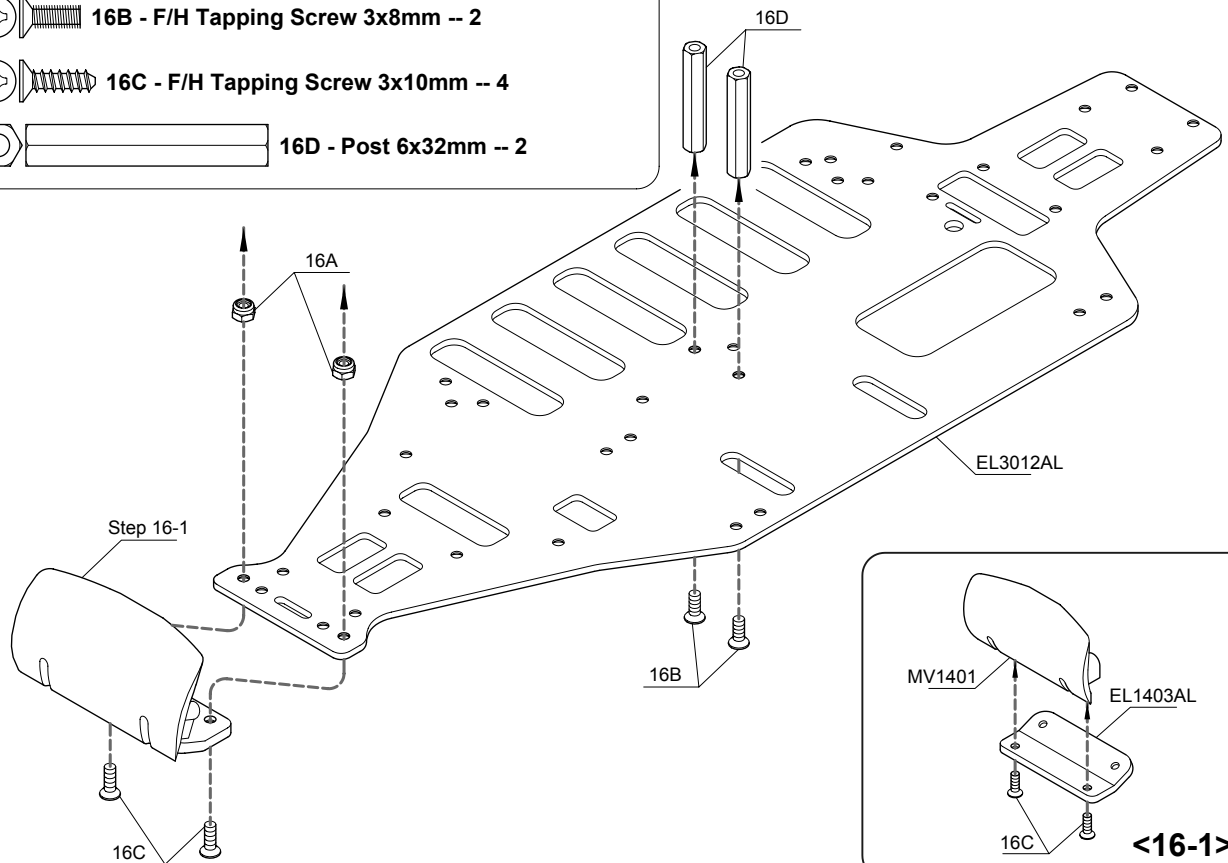
-  15D - O-Ring 3mm -- 1



-  15E - Ball Bearing 5x10x4mm -- 1

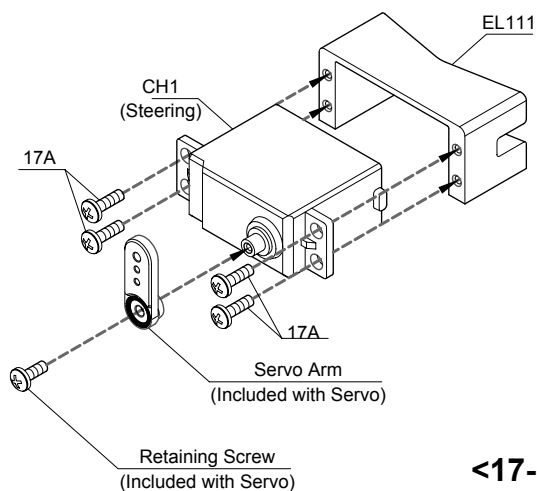
## Step 16 Chassis Plate

-  16A - Lock Nut 3mm -- 2
-  16B - F/H Tapping Screw 3x8mm -- 2
-  16C - F/H Tapping Screw 3x10mm -- 4
-  16D - Post 6x32mm -- 2





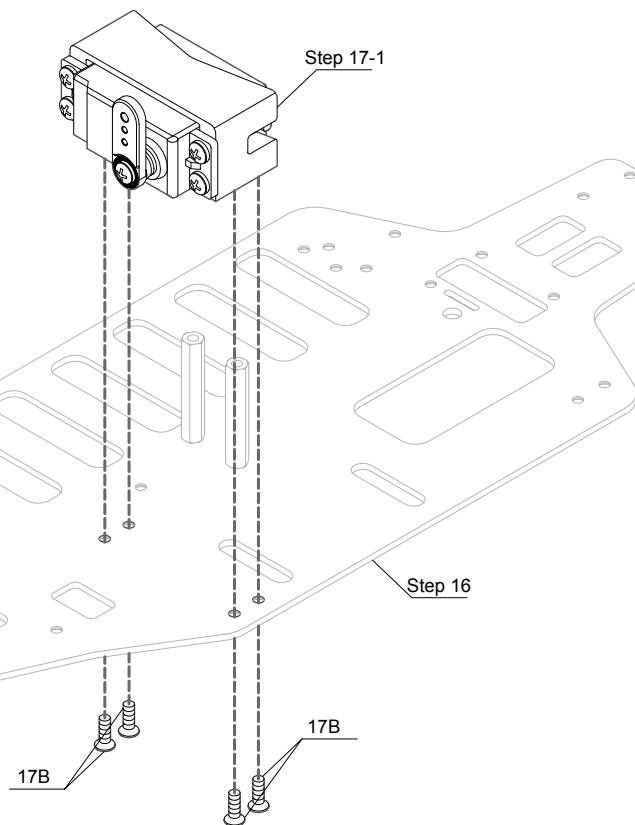
## Step 17 Steering Servo



<17-1>

17A - Tapping Screw 3x10mm -- 4

17B - F/H Tapping Screw 3x10mm -- 4



## Step 18 Servo Saver

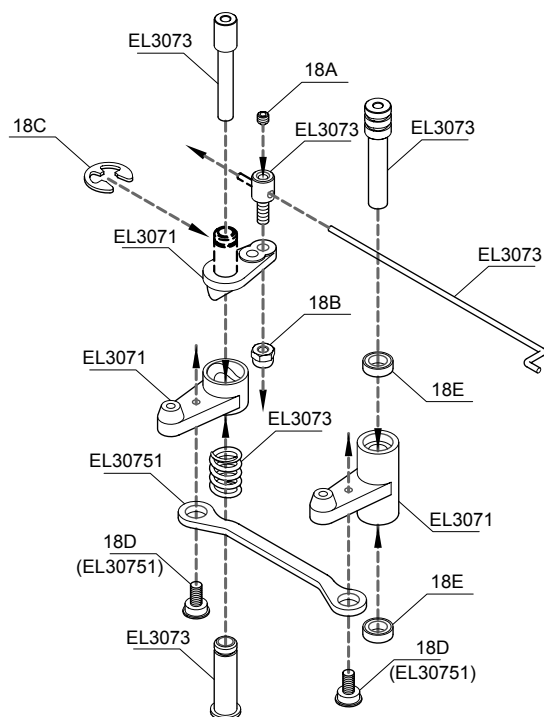
18A - Grub Screw w/Glue 3x3mm -- 1

18B - Lock Nut 3mm -- 1

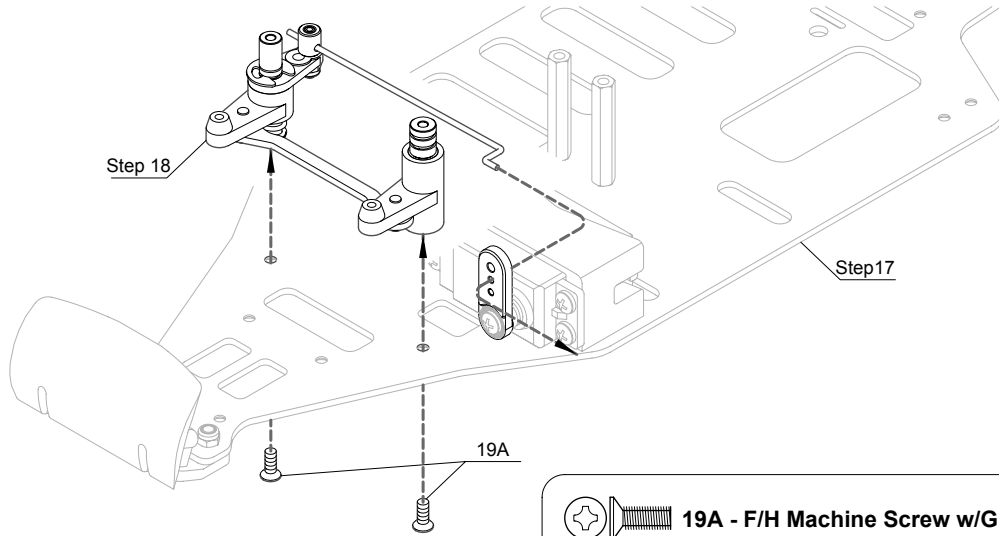
18C - E-Ring 5mm -- 1

18D - Tapping Screw 3x6mm -- 2

18E - Bushing 5x8x2.5mm -- 2

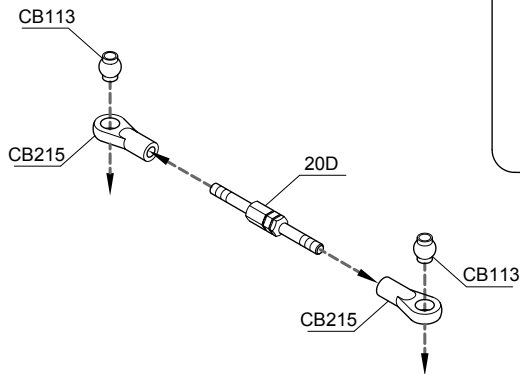
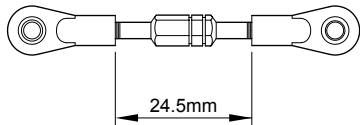


## Step 19 Servo Saver






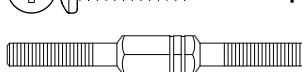
 19A - F/H Machine Screw w/Glue 3x8mm -- 4

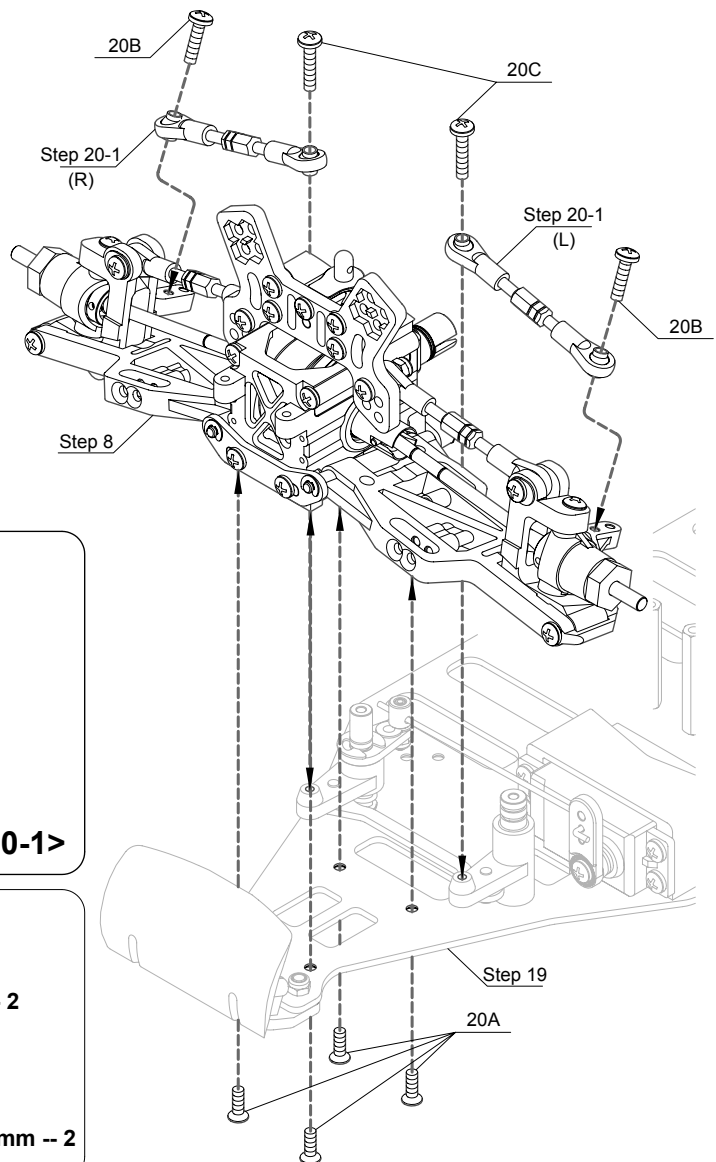
## Step 20 Front Suspension Mounting and Steering Tie-Roads



**For Right and Left Sides (x2)**

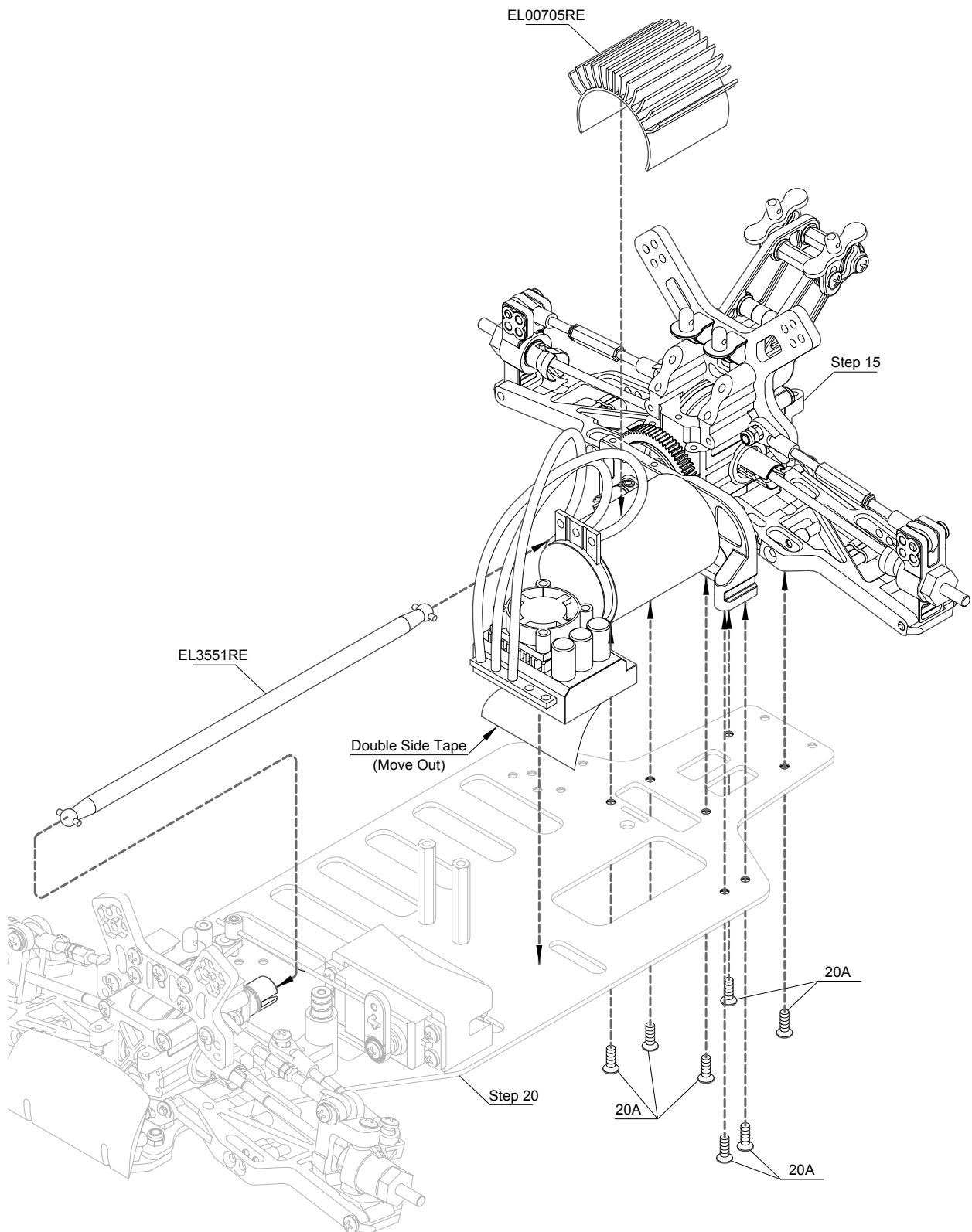
**<20-1>**

-  20A - F/H Tapping Screw 3x10mm -- 4
-  20B - Button Head Screw 3x12mm -- 2
-  20C - Tapping Screw 3x15mm -- 2
-  20D - Turnbuckle 5x40mm -- 2



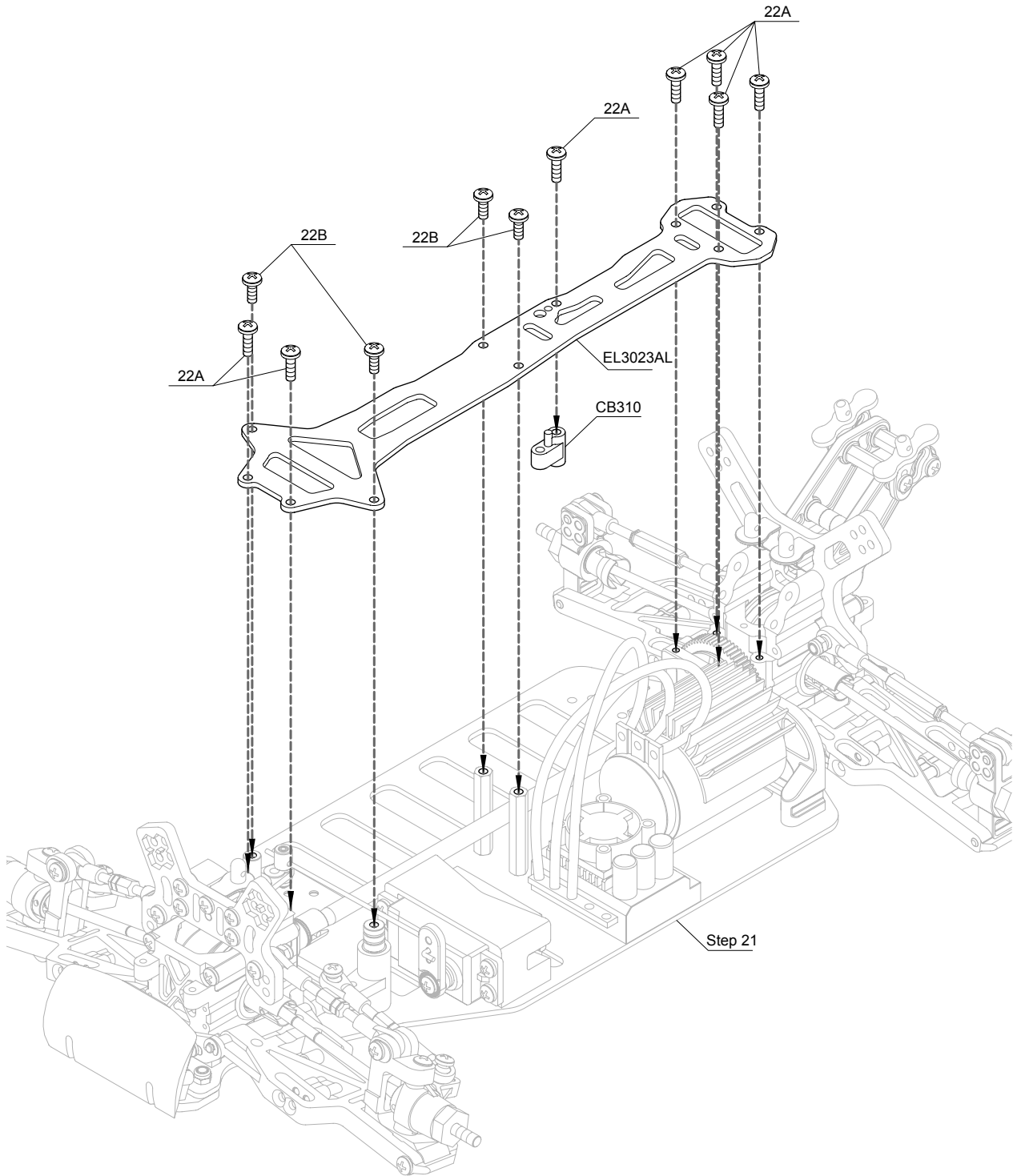
## Step 21 Rear Suspension Mounting

 21A - F/H Tapping Screw 3x10mm -- 7



# Step 22

# Radio Plate Mounting

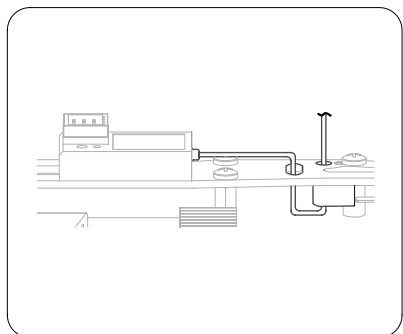


 22A - Tapping Screw 3x10mm -- 7

 22B - Button Head Machine Screw w/Glue 3x8mm -- 4

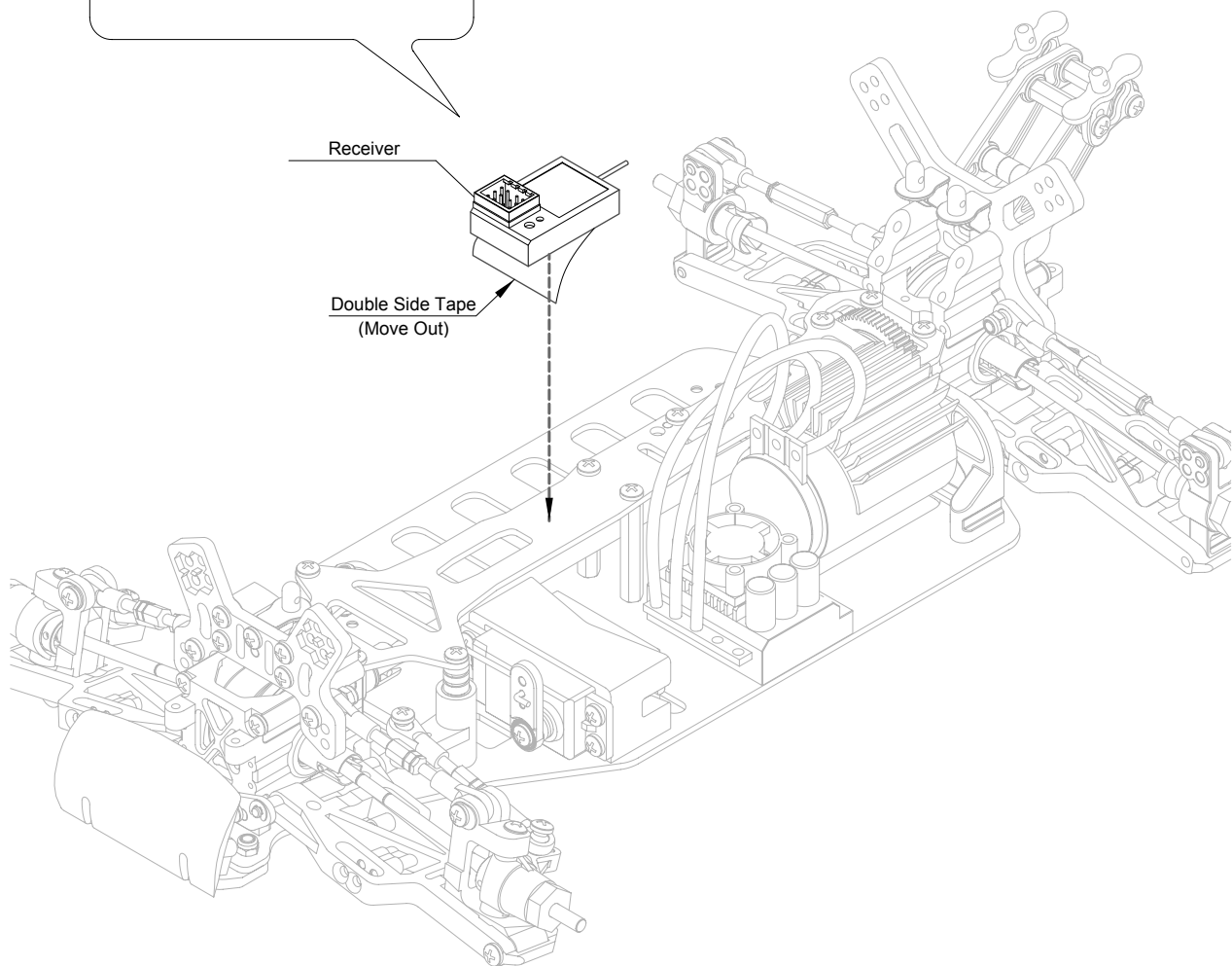
# Step 23

# Electric Speed Control and Receiver Mounting

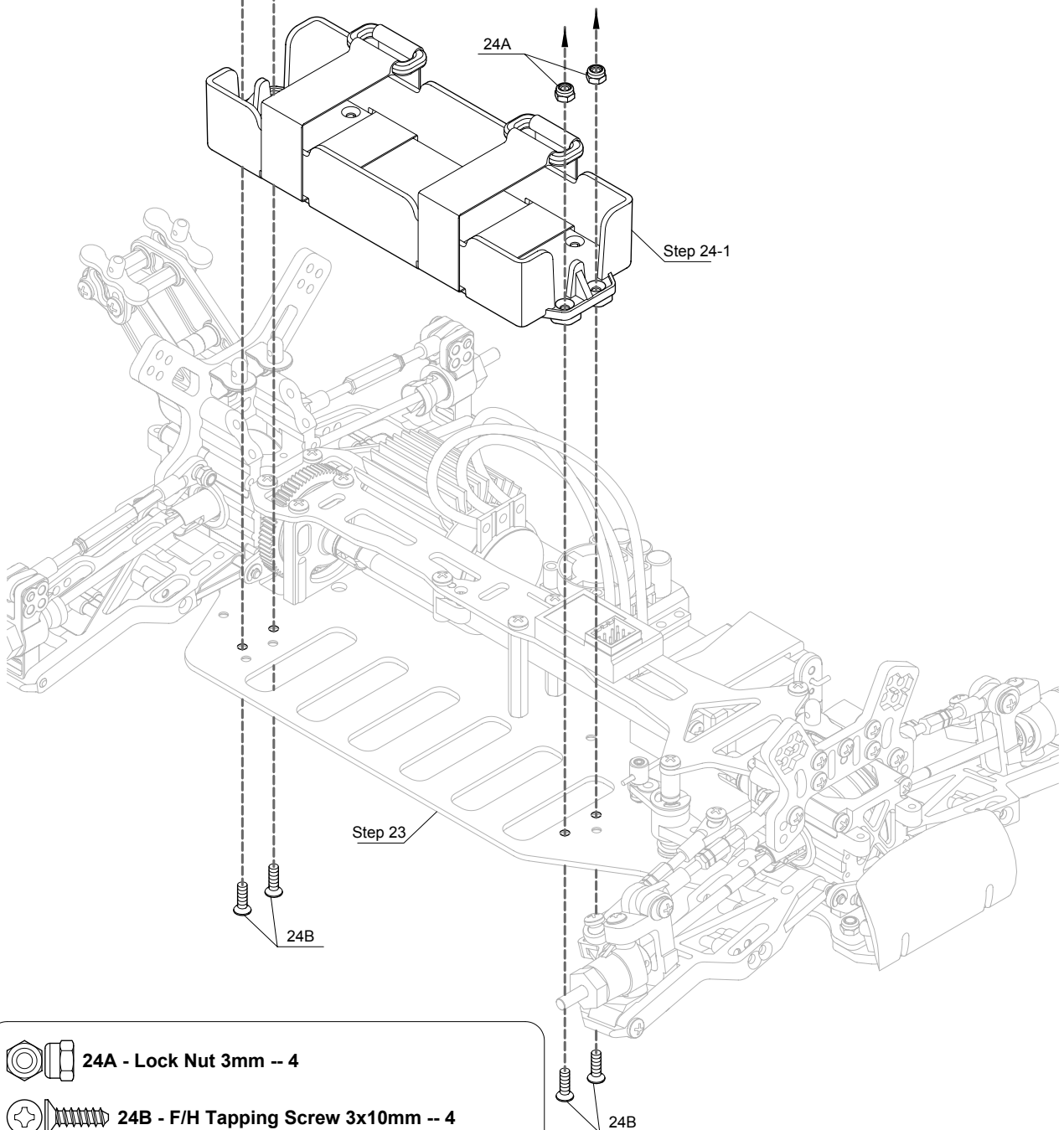
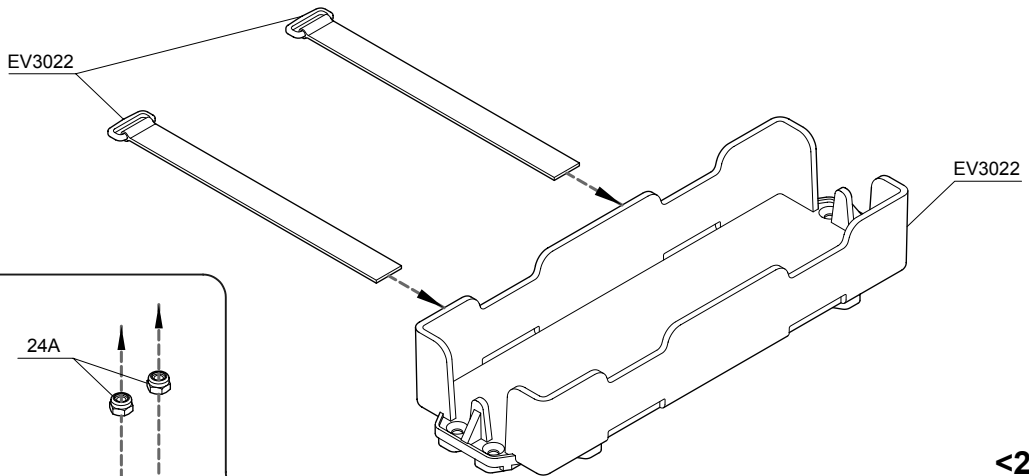



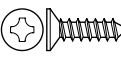
Receiver

Double Side Tape  
(Move Out)



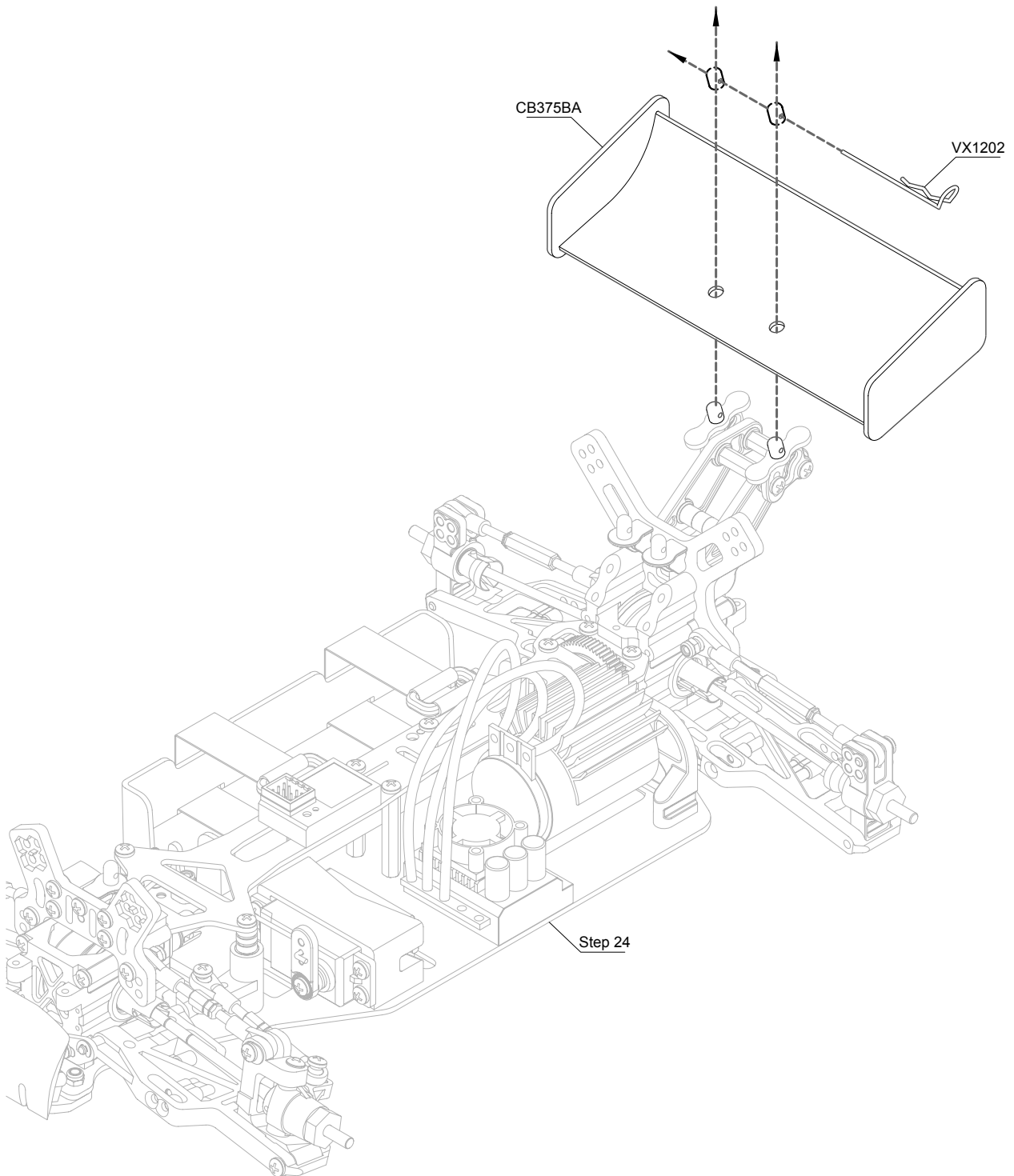
# Step 24 Battery Box






-  24A - Lock Nut 3mm -- 4
-  24B - F/H Tapping Screw 3x10mm -- 4

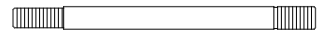
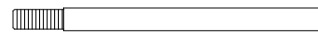
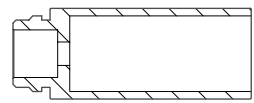
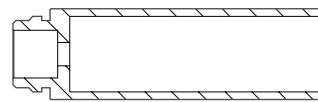
# Step 25

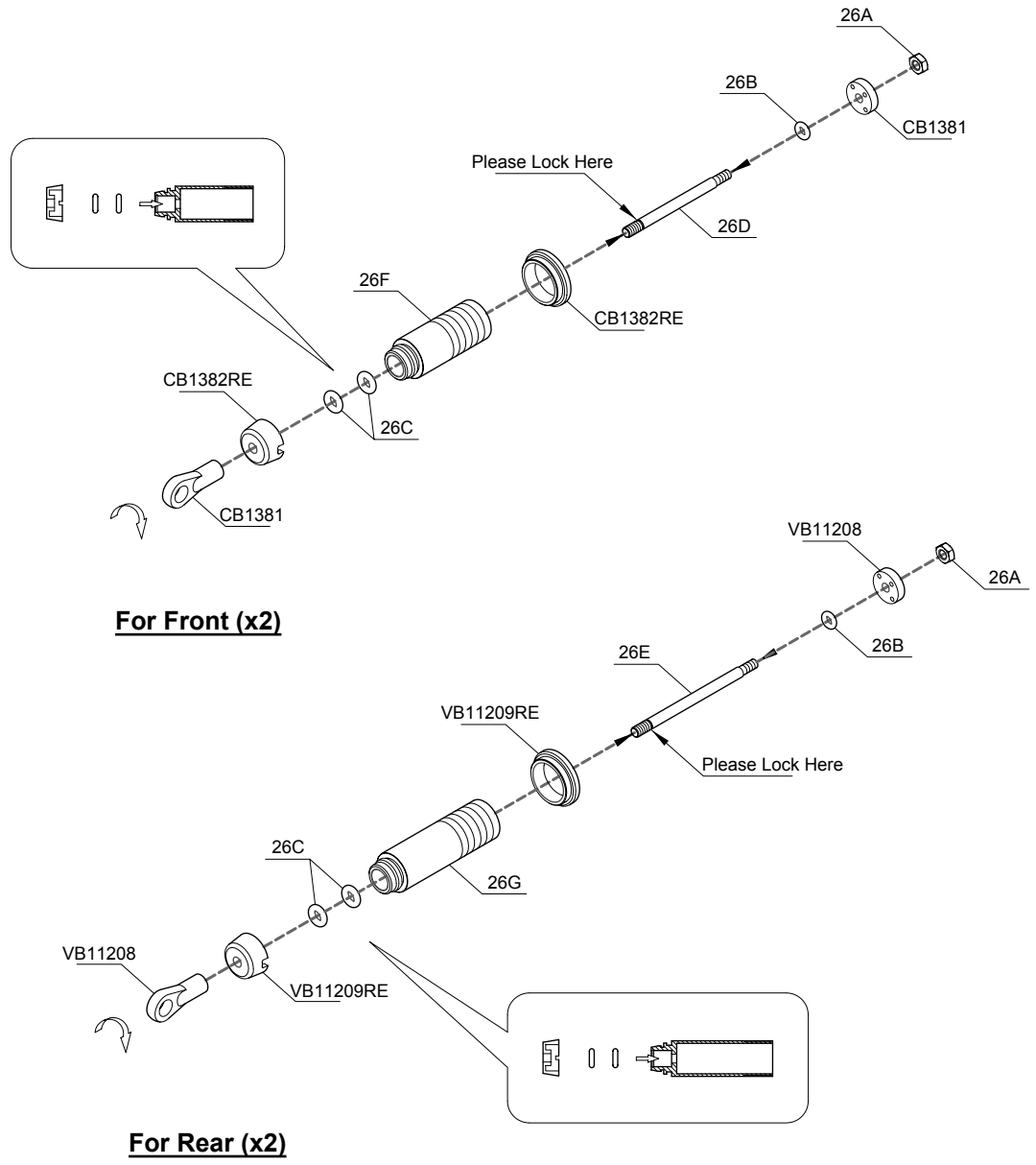
# Wing Mounting



# Step 26 Shock Bodies and Shock Shafts

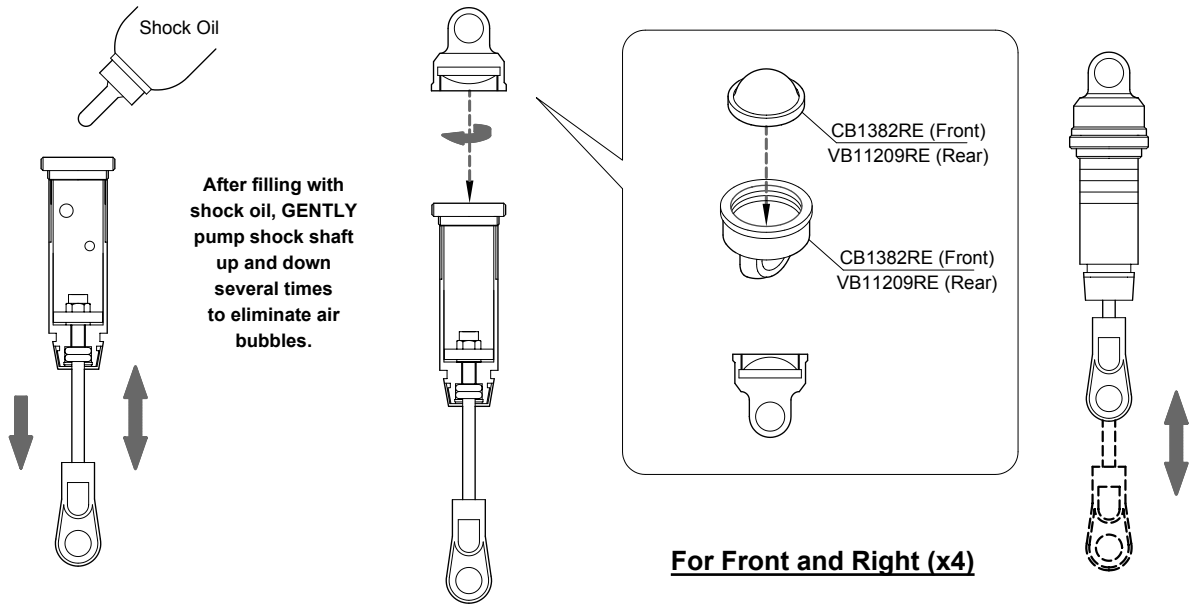
-  26A - Lock Nut 2.6mm -- 4
-  26B - O-Ring 2.5x1mm -- 4
-  26C - O-Ring 3mm -- 8

-  26D - Shock Shaft 3x40mm -- 2
-  26E - Shock Shaft 3x47mm -- 2
-  26F - Shock Body 12x31.5mm -- 2
-  26G - Shock Body 12x41mm -- 2

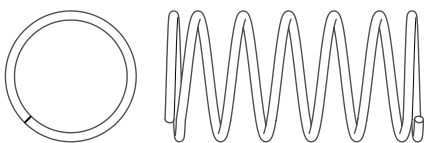
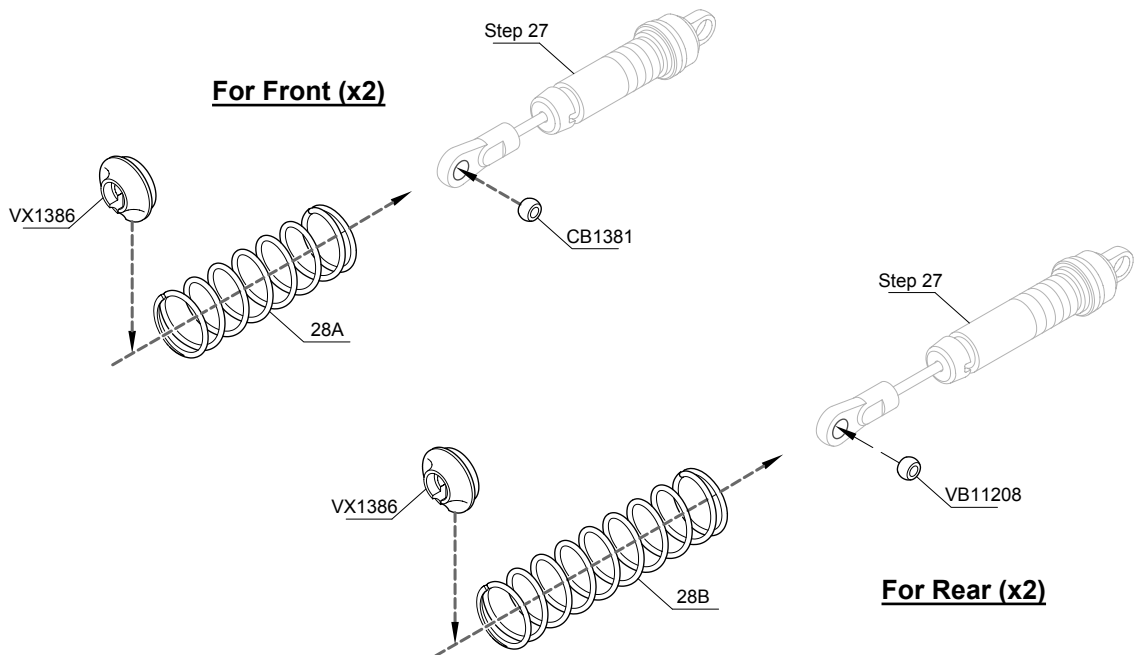




## Step 27 Shock Oil



## Step 28 Shock Springs



28A - Front Shock Spring 50x1.1mm -- 2



28B - Rear Shock Spring 69x1.1mm -- 2

## Step 29 Front and Rear Shock Mounting



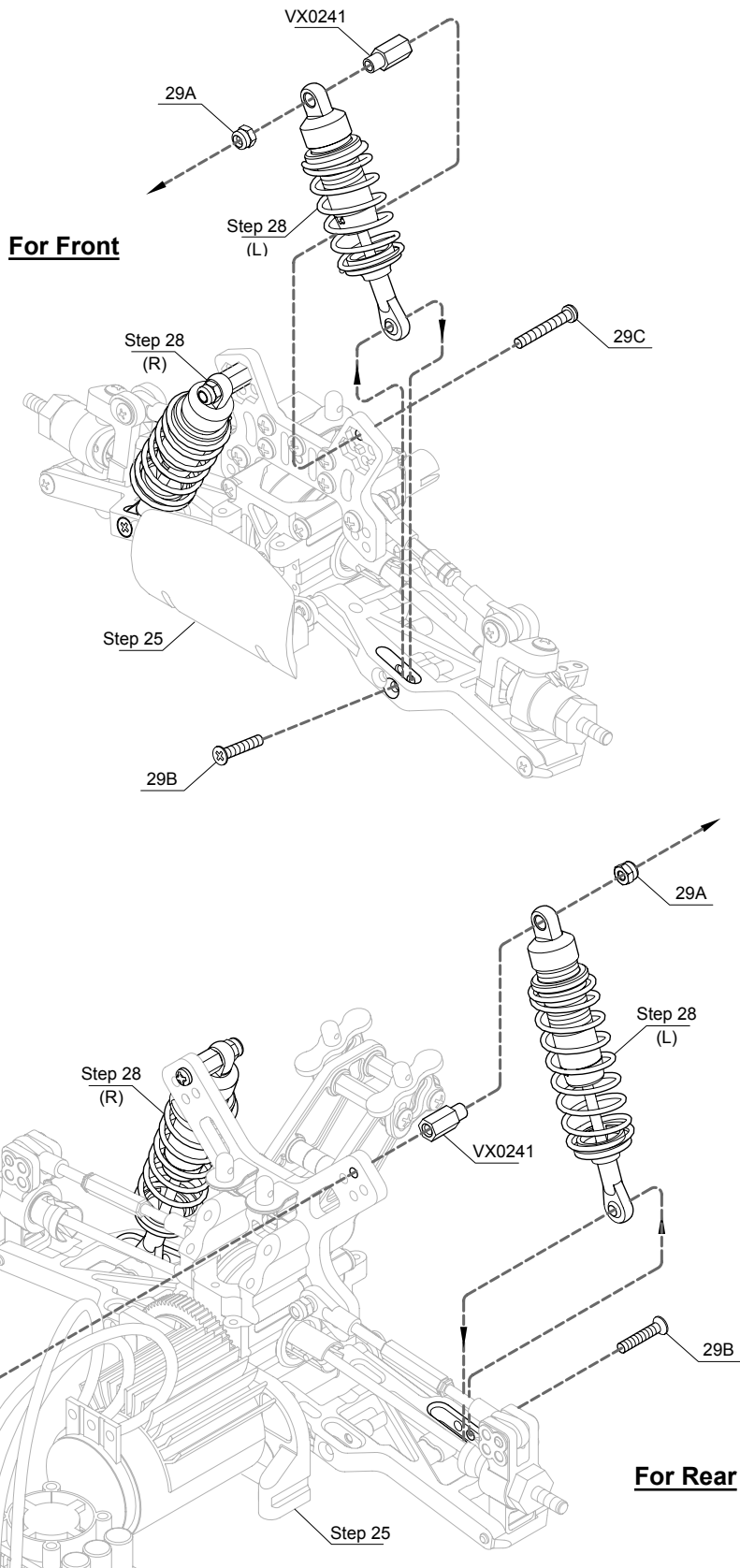
29A - Lock Nut 3mm -- 4



29C - Round Head Machine Screw 3x20mm -- 4

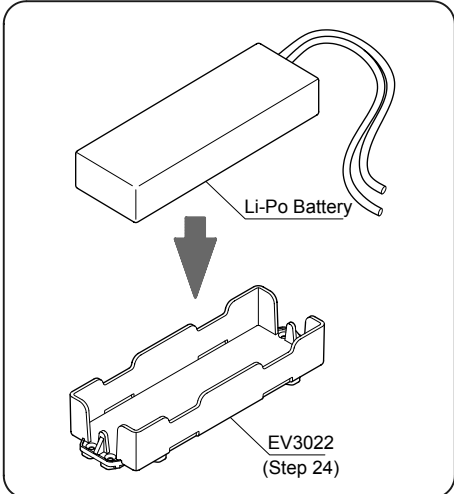
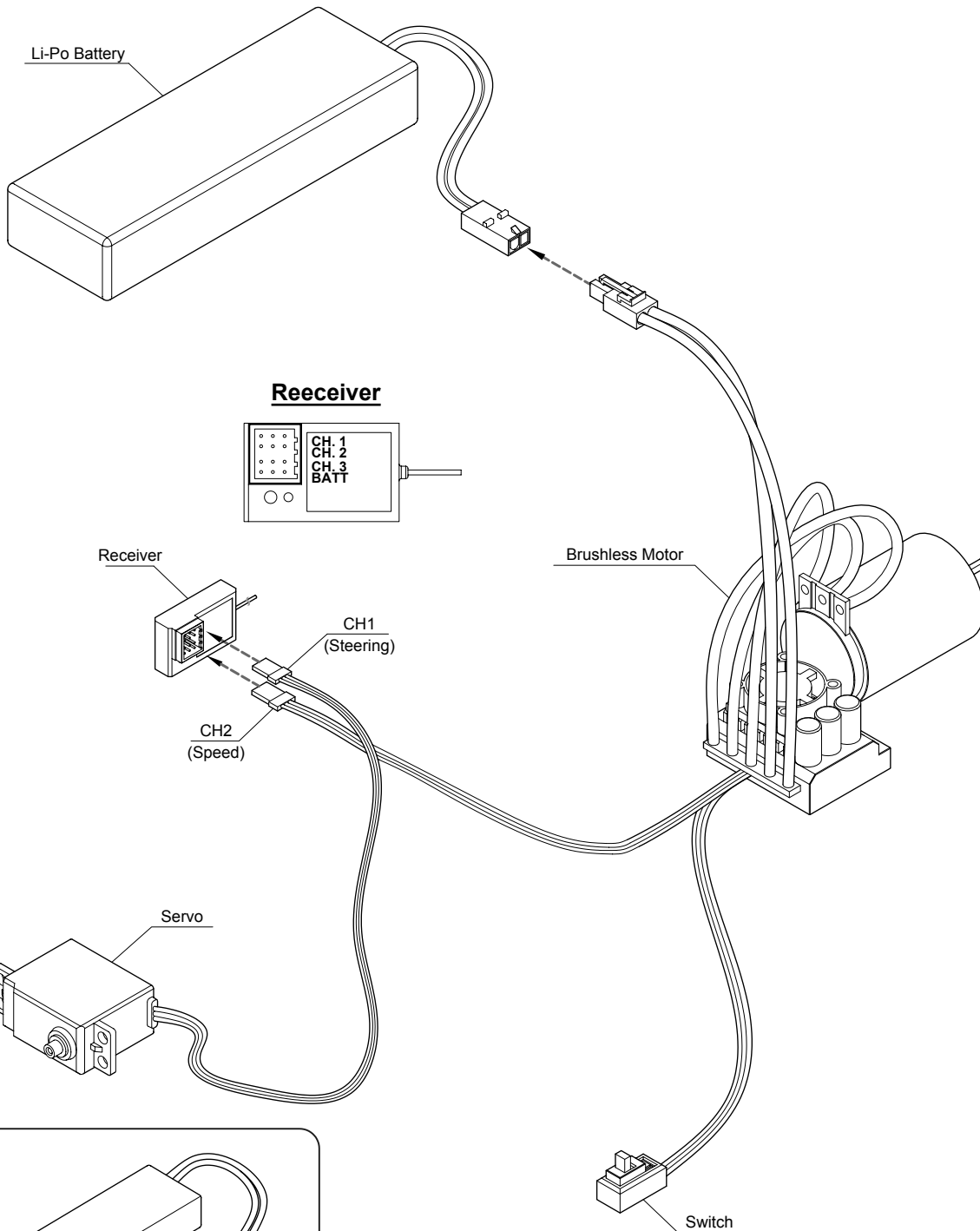


29B - F/H Tapping Screw 3x16mm -- 4



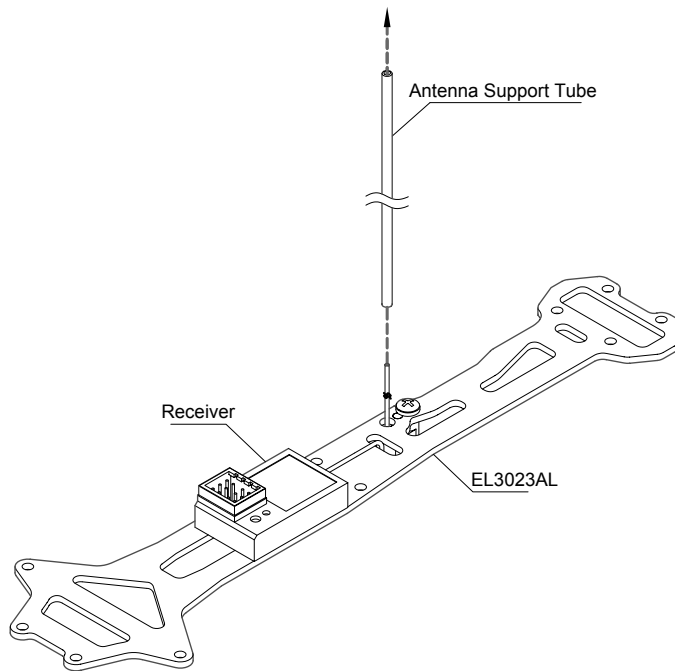
# Step 30

# Electric Speed Control Install Diagram



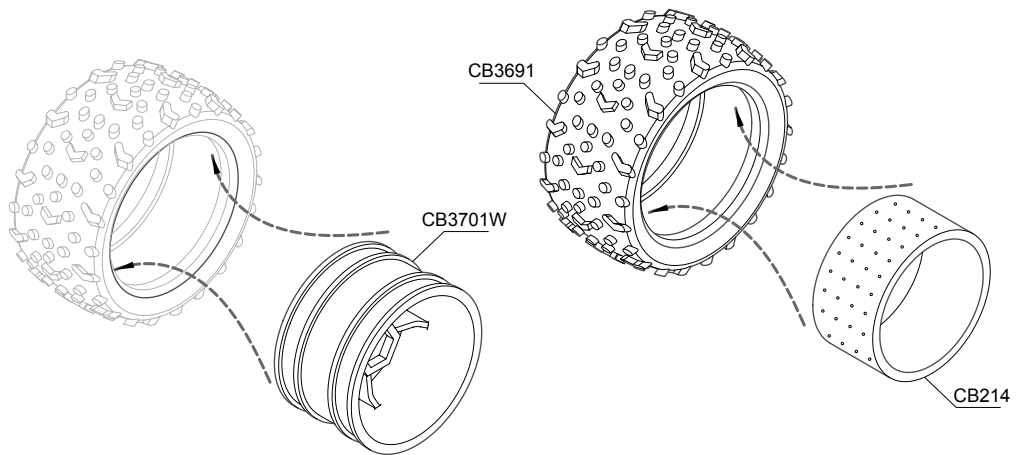
## Step 31

## Antenna Support Tube Mounting



## Step 32

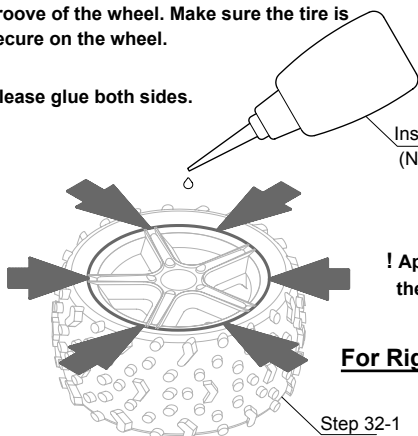
## Wheels and Tires



<32-1>

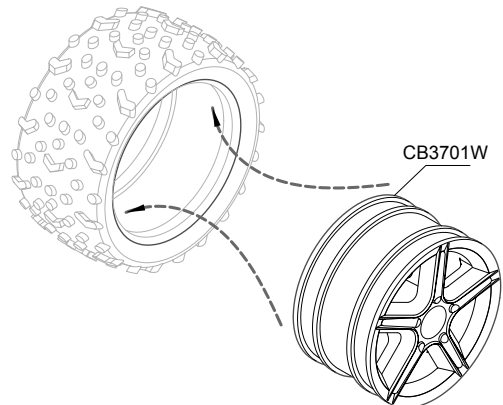
! Use small amount instant cement into the groove of the wheel. Make sure the tire is secure on the wheel.

! Please glue both sides.

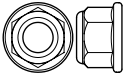


! Apply instant cement into the groove of the wheel.

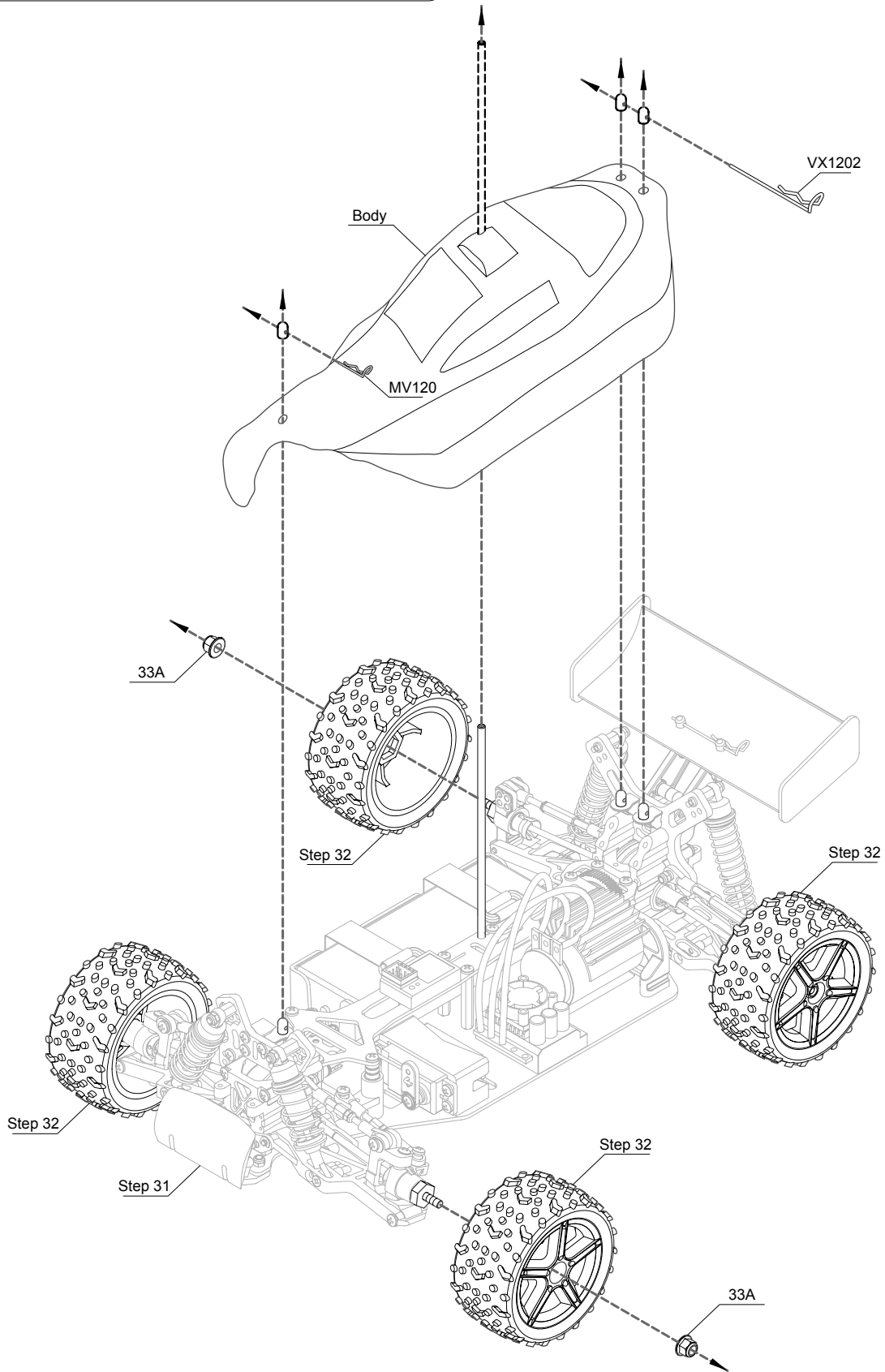
**For Right and Left Sides (x4)**




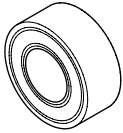
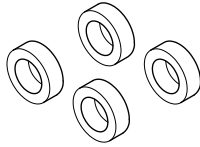
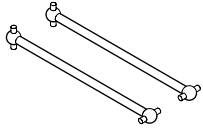
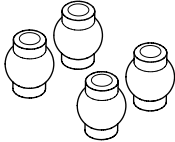
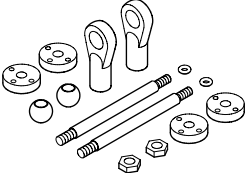
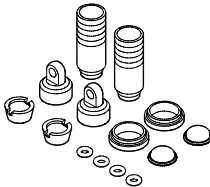
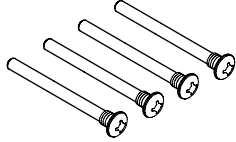
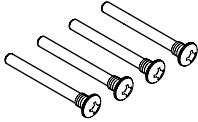
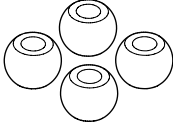
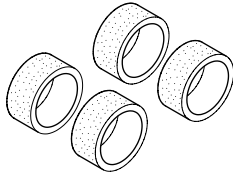
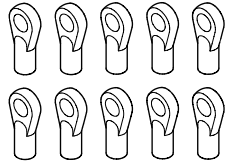
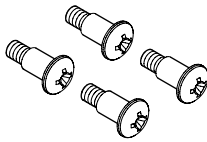
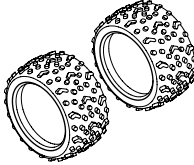
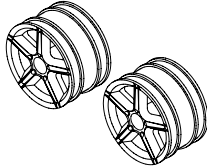
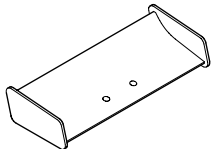
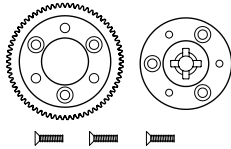
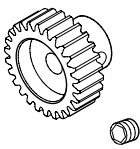
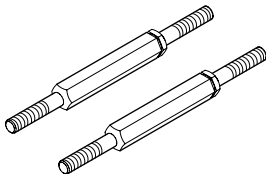
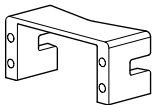
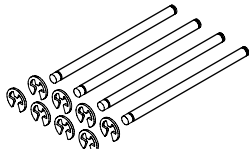
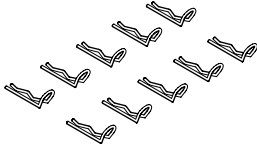
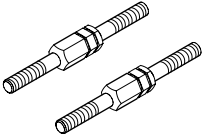
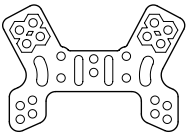
# Step 33 Wheels and Body Mounting

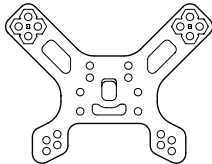
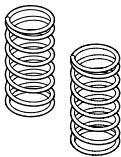
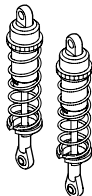
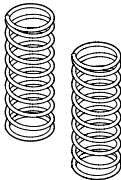
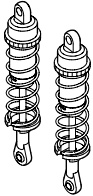
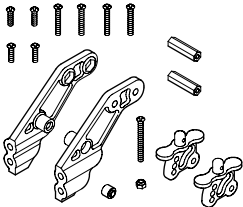
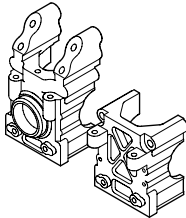
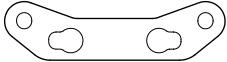

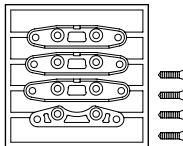
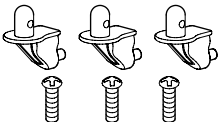
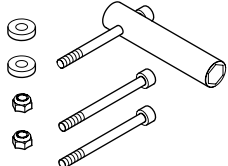
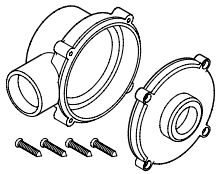
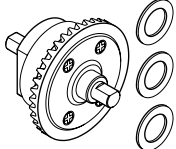
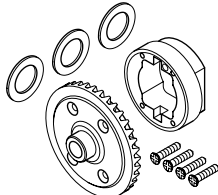
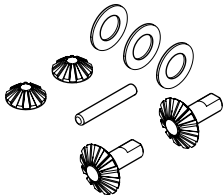


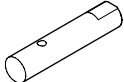
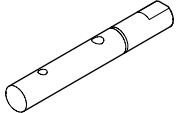
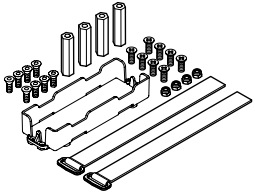
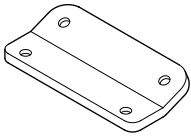
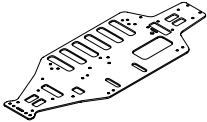
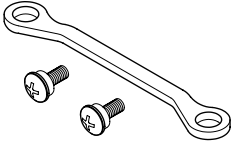


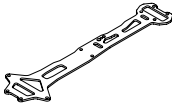
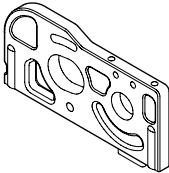
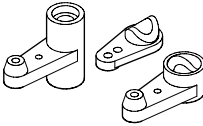
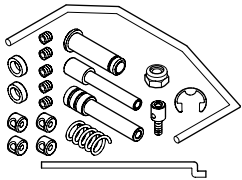
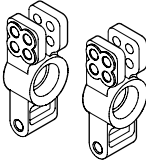
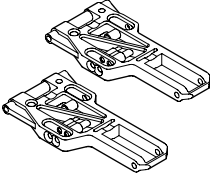
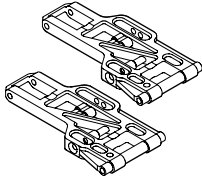
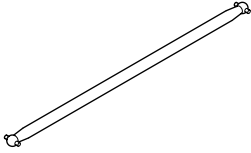
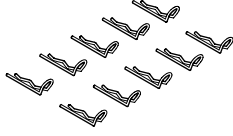
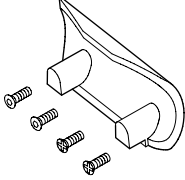
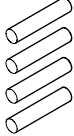
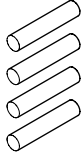
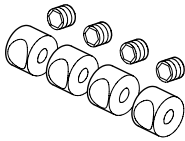
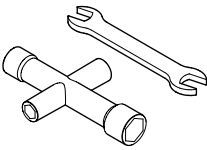
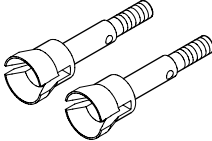
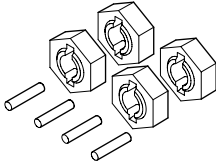
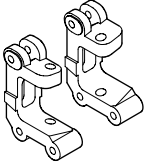
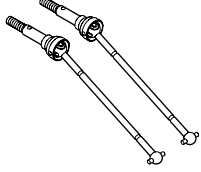
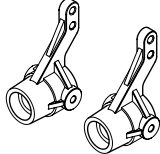
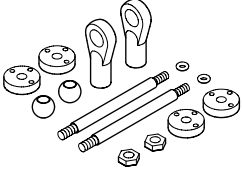
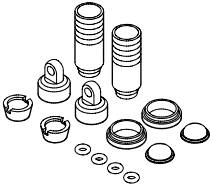
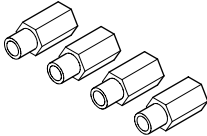
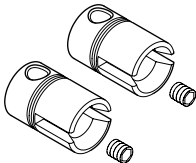

33A - Flanged Lock Nut 4mm -- 4



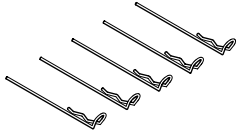
## 1/10 EP BUGGY REPLACEMENT PARTS LIST

			
<b>BB051004</b>	<b>BB101504</b>	<b>BU0508025</b>	<b>CB104</b> L=71mm
Ball Bearings 5x10x4mm	Ball Bearings 10x15x4mm	Bushings 5x8x2.5mm	Rear Dog Bones
			
<b>CB113</b>	<b>CB1381</b> L=40mm	<b>CB1382RE</b> L=31.5mm	<b>CB150A</b> L=22.5mm
Balls - Copper 7x3mm	Front Shock Shaft Set 3mm	Front Shock Body Set 3mm - Red	Hub Studs - Down
			
<b>CB150S</b> L=13.5mm	<b>CB1591</b>	<b>CB214</b>	<b>CB215</b>
Hub Studs - Up	Balls - Alu 6x4.9mm	Inner Foam	Ball Ends
			
<b>CB353</b>	<b>CB3691</b>	<b>CB3701W</b>	<b>CB375BA</b>
Rocker Arm Pin	Buggy Tires	Wheels - White	Special Wing - Black
			
<b>EL0701S</b>	<b>EL0221S</b>	<b>EL032</b> L=60mm	<b>EL111</b>
Main Gear & Main Gear Mount - 70T	Motor Pinion Gear - 22T	Motor Pinion Gear - 22T (for Buggy)	Servo Mount
			
<b>EL1111</b> L=54mm	<b>EL120</b>	<b>EL130</b> L=40mm	<b>EL1321</b>
Lower Hinge Pins	Body Clips - Type "R"	Turnbuckles 5mm - Upper Front	Shock Tower 4mm - Front

			
<b>EL1331</b>	<b>VA136BA5211</b> L=50mm	<b>44A315RE05011BA</b>	<b>VB11204BA</b> L=72.5mm
Rear Shock Tower 4mm	Front Shock Spring 1.1mm - Black	Shock Assemblies - Front	Rear Shock Springs 1.1mm - Black
			
<b>44A410RE07211BA</b> L=100mm	<b>EL1411</b>	<b>EL16212</b>	<b>EL162D2</b>
Shock Assemblies - Rear	Wing Mount	Gearbox Halves - Front/Rear	Suspension Plate - Front
			
<b>EL162D3</b>	<b>EL162D4</b>	<b>EL1651</b>	<b>EL2292</b>
Suspension Plate - Rear	Suspension Plate Holders	Body Mounts (For Buggy)	Differential Screw & Tool
			
<b>EL2276</b>	<b>EL2227</b>	<b>EL2228</b>	<b>CB156</b>
Differential Housing - Front/Rear	Differential Set	Differential Case w/Gear	Differential Gear Set
			
<b>EL22811</b>	<b>EL22821</b>	<b>EL22891</b> L=21.8mm	<b>EL22901</b> L=35.6mm
Bevel Gear 37T	Pinion Gear 11T	Pinion Gear Shaft - Front	Pinion Gear Shaft - Rear
			
<b>EV3022</b>	<b>EL1403AL</b>	<b>EL3012AL</b>	<b>EL30751</b>
Battery Box	Reinforcement Plate for Bumper - Alu	Chassis 2mm - Alu	Servo Saver Steering Plate 2mm - Alu

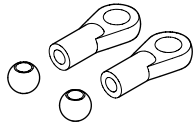
			
<b>EL3023AL</b>	<b>EL3041</b>	<b>EL3071</b>	<b>EL3073</b>
Radio Plate 2mm - Alu	Motor Mount	Servo Saver - Plastic	Servo Saver Metal Set
			
<b>EL3461</b>	<b>EL347F</b>	<b>EL347R</b>	<b>EL3551RE</b> L=178mm
Rear Hubs - Left & Right	Suspension Arms - Lower Front	Suspension Arms - Lower Rear	Centre Swing Shaft
			
<b>MV120</b> L=27mm	<b>MV1401</b>	<b>PINR15x78</b>	<b>PINR20x98</b>
Body Clips - Type "R"	Bumper	Pin 1.5x7.8mm	Pin 2x9.8mm
			
<b>SE002</b>	<b>SE285</b>	<b>V21051</b> L=36.9mm	<b>V21071</b> L=5mm
Rod Stopper Set	Tool Set	Rear Wheel Shafts	Driver Washer Hex
			
<b>V2348</b>	<b>V2357M</b> L=100mm	<b>VA134</b>	<b>VB11208</b> L=47mm
Front Hub Carriers - Left & Right	CVD Universal Joint	Steering Knuckles	Rear Shock Shaft Set 3mm
			
<b>VB11209RE</b> L=41mm	<b>VX0241</b>	<b>VX103</b> L=16mm	<b>VX1386</b>
Rear Shock Body Set 3mm - Red	Shock Stud	Pinion Output Joints	Shock Spring Mount



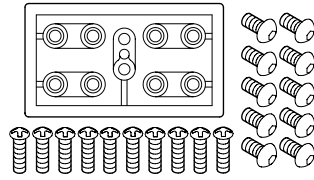


**VX1202**

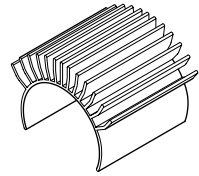
L=48mm



**VX159**



**CB310**



**EL00705RE**

L=38mm

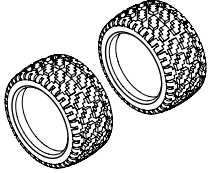
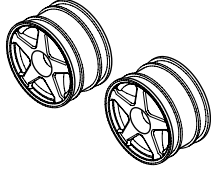
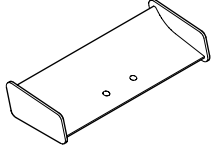
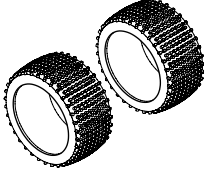
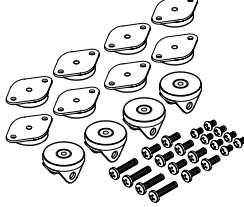
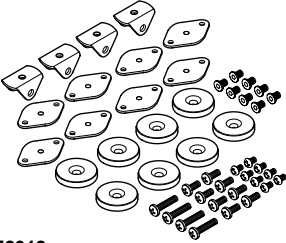
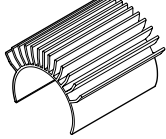
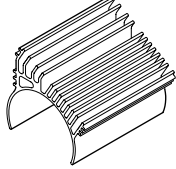
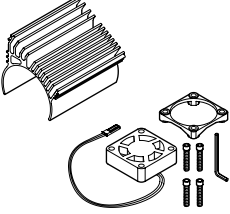
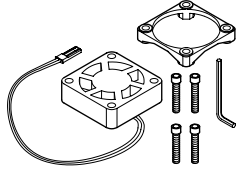
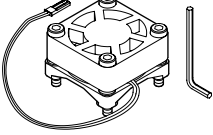
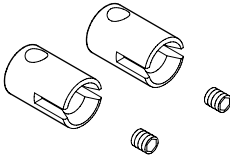
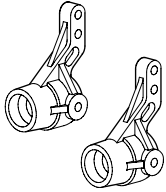
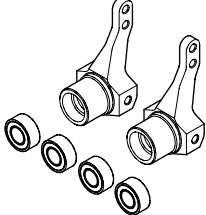



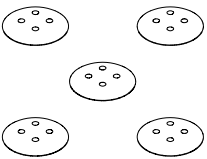
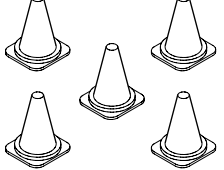
Body Clips - Type "R"







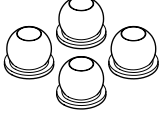
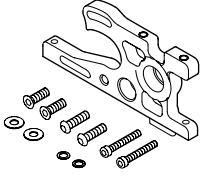
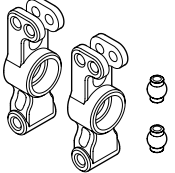
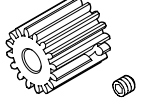
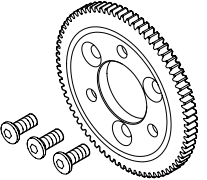
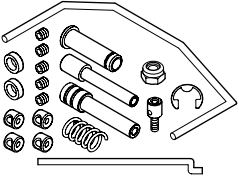
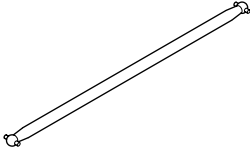
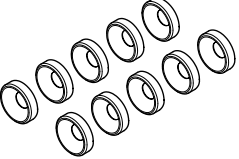
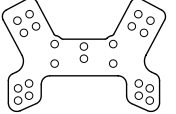
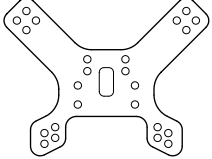
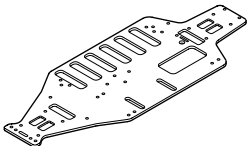
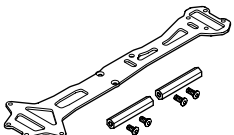
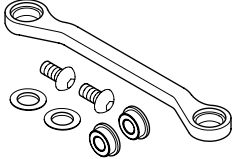
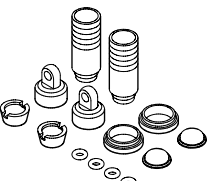
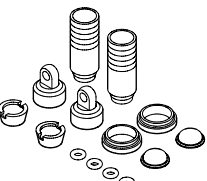
Ball Ends w/Balls

Servo Mount Set

Motor Heat Sind - Red

## 1/10 EP BUGGY OPTION PARTS LIST

 <b>CB36901</b>	 <b>CB370</b>	<b>CB370B</b> Wheels "Star" - Black	 <b>CB375</b>
		<b>CB370G</b> Wheels "Star" - Gold	
		<b>CB370S</b> Wheels "Star" - Silver	
		<b>CB370W</b> Wheels "Star" - White	
Rally Tires	Wheels "Star" - Alu	Wheels "Star" - White	Special Wing - White
<b>CB375Y</b> Special Wing - Yellow	 <b>CB3771</b>	 <b>SE2911</b>	 <b>SE2912</b>
	Arrow Tires	Magnet Holder - Assembly	Magnet Holder
 <b>EL00703T</b> L=48mm	 <b>EL00704B</b> L=47mm	<b>EL00704PU</b> Motor Heat Sink - Purple	 <b>EL00704BF</b>
		<b>EL00704T</b> Motor Heat Sink - Alu	
Motor Heat Sink - Alu	Motor Heat Sink - Blue		Motor Heat Sink & Cooling Fan - Blue
<b>EL00704PUF</b> Motor Heat Sink & Cooling Fan - Purple	 <b>EL0074</b>	 <b>EL00752</b>	 <b>EL103</b> L=16mm
<b>EL00704TF</b> Motor Heat Sink & Cooling Fan - Alu			
	Speed Control Cooling Fan - 30x30x10	Motor Cooling Fan - 40x40x10	Motor Cooling Fan - 40x40x10
 <b>EL134</b>	 <b>SE033BL</b>	<b>SE033BU</b> Steering Knuckles - Blue	 <b>SE110</b>
		<b>SE033P</b> Steering Knuckles - Purple	
		<b>SE033</b> Steering Knuckles - Alu	
Steering Knuckles - Plastic	Steering Knuckles - Black		Silicone Shock Oil - 40Wt
 <b>SE111</b>	 <b>SE112</b>	 <b>SE93010Y</b>	 <b>SE93020R</b>

			
<b>SEG010</b>	<b>SEG030</b>	<b>SEG050</b>	<b>SEG070</b>
Silicone Differential Oil - 10k Wt	Silicone Differential Oil - 30k Wt	Silicone Differential Oil - 50k Wt	Silicone Differential Oil - 70k Wt
			
<b>SEG100</b>	<b>SEG200</b>	<b>VX1591</b> L=5mm	<b>SEL3041H</b>
Silicone Differential Oil - 100k Wt	Silicone Differential Oil - 200k Wt	Ball w/Flange	Alu Motor Mount
			
<b>SEL3461BL</b>	<b>EL0161S</b>	<b>EL0761S</b>	<b>EL3073BL</b>
Alu Rear Hubs - Left & Right / Blue	Motor Pinion Gear 16T - Steel	Main Gear 76T - Steel	Servo Saver Metal Set - Blue
	<b>EL3551</b> Centre Swing Shaft - Alu		
<b>EL3551BL</b> L=178mm		<b>WWAV3BL</b>	<b>SEL1321</b>
Centre Swing Shaft - Blue		Alu Washers 3mm - Blue	Front Shock Tower 3mm - Carbon
			
<b>SEL1331</b>	<b>SEL3011</b>	<b>SEL3021</b>	<b>SEL30751</b>
Rear Shock Tower 3mm - Carbon	Chassis 3mm - Carbon	Radio Plate 2mm - Carbon	Servo Saver Steering Plate 2mm - Carbon
	<b>CB1382B</b> Front Shock Body Set 3mm - Blue		<b>VB11209B</b> Rear Shock Body Set 3mm - Blue
<b>CB1382</b> L=31.5mm	<b>CB1382BA</b> Front Shock Body Set 3mm - Black	<b>VB11209</b> L=41mm	<b>VB11209BA</b> Rear Shock Body Set 3mm - Black
Front Shock Body Set 3mm - Alu	<b>CB1382P</b> Front Shock Body Set 3mm - Purple	Rear Shock Body Set 3mm - Alu	<b>VB11209P</b> Rear Shock Body Set 3mm - Purple
	<b>CB1382TA</b> Front Shock Body Set 3mm - Titanium		<b>VB11209TA</b> Rear Shock Body Set 3mm - Titanium

## **Spare Parts for 102C145r**

<b>Marks &amp; Nos.</b>	<b>B/N</b>	<b>Description Goods</b>
BU0508025	235196	BUSHING 5x8x2.5 (4)
CB104	223465	SWING SHAFT <L=71MM>
CB113	223422	COPPER BALL 3MM (4PCS)
CB1381	223438	SHOCK SHAFT <L=40MM> (2)
CB150A	223515	HUB STUD <DOWN> <L=22.5MM> (4)
CB150S	223516	HUB STUD <UP> <L=13.5MM> (4)
CB1591	232765	BALL <ALU, 4PCS>
CB214	223445	INNER SPONGE (4)
CB215	223428	STEERING ROD HEAD <BLACK> (10)
CB353	223431	ROCKER ARM PIN (4PCS)
CB3691	223418	BUGGY TIRES (2)
CB3701W	223437	WHEEL <WHITE> (2)
CB375BA	230631	SPECIAL WING (FOR BUGGY) BLACK
EL0221S	237143	MOTOR PINION GEAR 22T, STEEL
EL032	232790	UPPER ROD <L=60> (2)
EL111	232791	LOWER HINGE PIN (4PCS)
EL1111	232791	LOWER HINGE PIN (4PCS)
EL120	232771	SNAP PIN TYPE - R (R=1.4, L=18)
EL130	232790	LIPPER ROD (L=40MM) (2PCS)
EL1321	232775	SHOCK TOWER FRONT(1PC)
EL1331	232775	SHOCK TOWER REAR (1PC)
EL1411	232792	WING MOUNT
EL16212	232779	GEAR BOX
EL162D2		SUSPENSION PLATE "F" (2MM)
EL162D3	232780	SUSPENSION PLATE "R" (2MM)
EL162D4		SUSPENSION HOLDER SET (0~3DEGREE)
EL1651	232792	BODY SUPPORT(3PCS)
EL2292	236486	BALL DIFF. LOCK NUT MOUNT (2PCS)
EL2276	232779	DIFF. HOUSING
EL2227	236808	DIFFERENTIAL SET
EL2228	236809	DIFFERENTIAL CASE W/GEAR
CB156	223486	DIFF.INNER GEAR SET
EL22811	236811	BEVEL GEAR 37T
EL22821	236812	PINION GEAR 11T
EL22891	236813	PINION GEAR SHAFT - FRONT
EL22901	236805	PINION GEAR SHAFT - REAR
EL30751	237734	SERVO SAVER STEERING PLATE 6061, 2MM
EL3041	232768	MOTOR MOUNT
EL3071		SERVO SAVER PLASTIC
EL3073	232787	SERVO SAVER METAL SET
EL3461	232776	HUB REAR
EL347F		SUSPENSION ARM LOWER "F" (2PCS)
EL347R	232789	SUSPENSION ARM LOWER "R" (2PCS)
MV120	223351	SNAP PIN TYPE "R" <L=27> (10)
MV1401	223353	BUMPER
PINR15X78	232773	PIN 1.5X7.8 (4PCS)
PINR20X98	226072	PIN 2x9.8 (4PCS)
SE002	234499	ROD STOPPER SET
SE285	232752	TOOL SET
V21051	229166	REAR SHAFT WHEEL (2)

V21071	225985	DRIVER WASHER HEX (4)
V2348	223542	V2 HUB CARRIER
V2357M	232774	CVD UNIVERSAL JOINT (L=97.5MM) (2)
VA134	234713	WHEEL HUB - FRONT
VX0241	236476	SHOCK STUD (4PCS)
VX103	230633	JOINT<L=16MM>(2)
VX159	236816	SHOCK STUD W/BALL END (2)
CB310	223521	SERVO MOUNT SET
EL00612	237260	MAIN GEAR MOUNT
CB103	223519	JOINT <L=15MM>

**Schnell - einfach - zuverlässig**

## Ersatzteilbestellung bei Conrad Electronic

Für viele Artikel können wir schnell und zuverlässig Ersatzteile liefern.  
Unser Lager hält im Bedarfsfall mehrere Tausend Teile für Sie bereit.

Bestellung per Telefon: 0180 - 531 21 11\*

Bestellung per Telefax: 0180 - 531 21 10\*

Bestellung per Mail: [sales@conrad.de](mailto:sales@conrad.de)

Bestellung per Internet: [www.conrad.de/ersatzteilservice](http://www.conrad.de/ersatzteilservice)

Wir freuen uns auf Ihre Bestellung

CONRAD ELECTRONIC SE

\* (0,14 €/Min. aus dem Festnetz, evtl. abweichende Preise für Anrufe aus dem Mobilfunknetz, ab 01.03.2010 maximal 0,42 €/Min. aus dem Mobilfunknetz)

