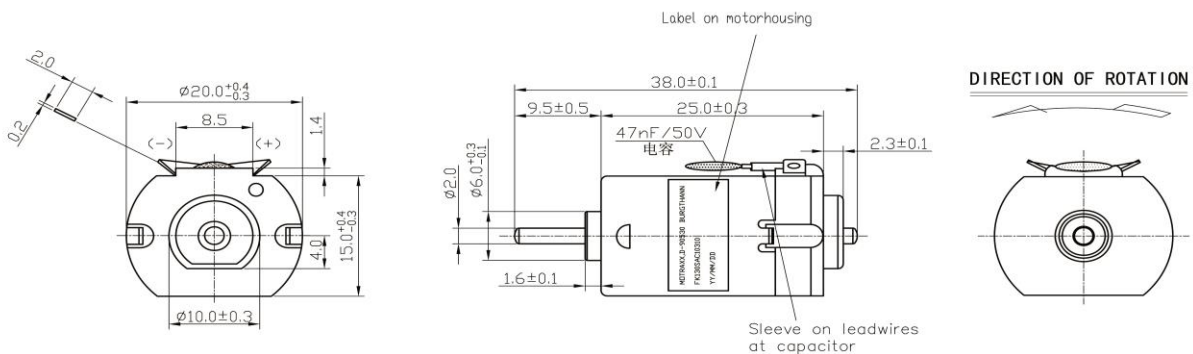
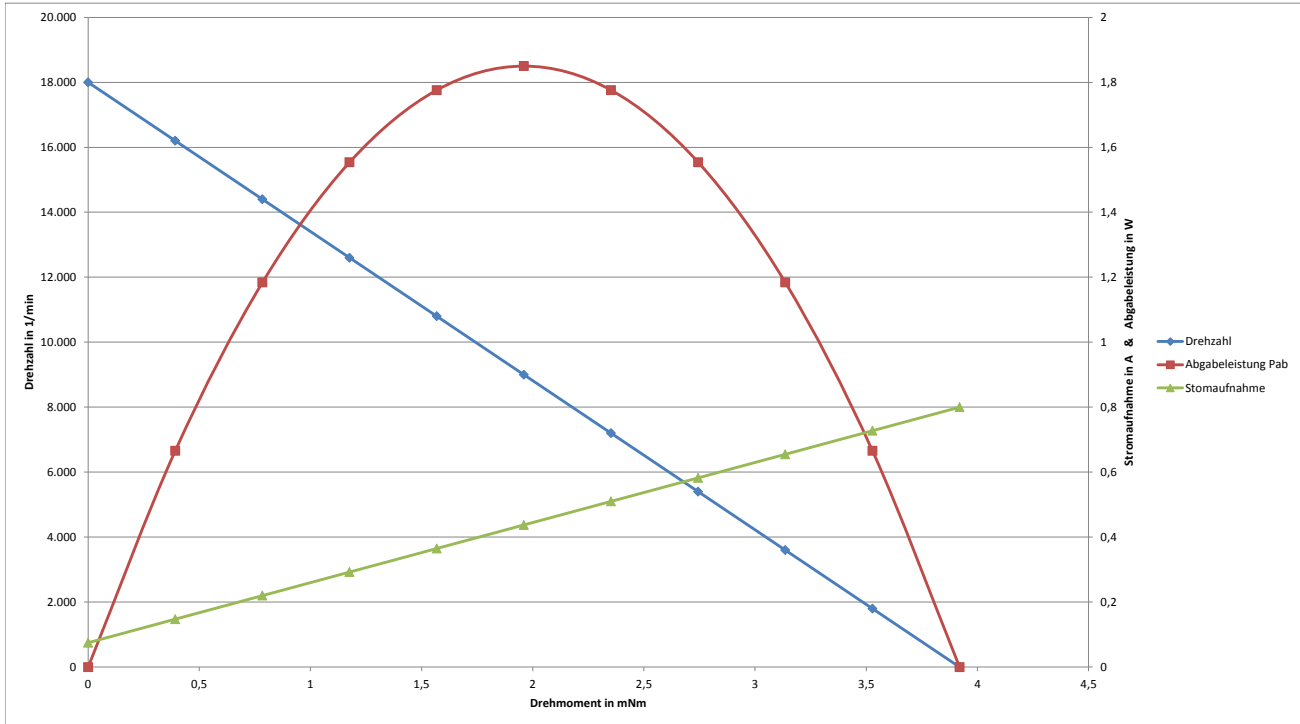


MODEL	VOLTAGE		NO LOAD		AT MAXIMUM EFFICIENCY			STARTING		max. OUTPUT POWER W	POLES	CAPACITOR	BRUSHES	
	Operating Range	Nominal	Speed	Current	Speed	Current	Torque	Output Power	Current					Torque
	VDC	VDC	rpm	A	rpm	A	mNm	W	A					mNm
FK-130RAC-10310-RU	9,0-12,0	12,0	18.000	0,08	13.800	0,24	0,91	1,32	0,80	3,92	1,85	3	47nF	carbon



Irrtum und Druckfehler vorbehalten / Errors and Omissions excepted