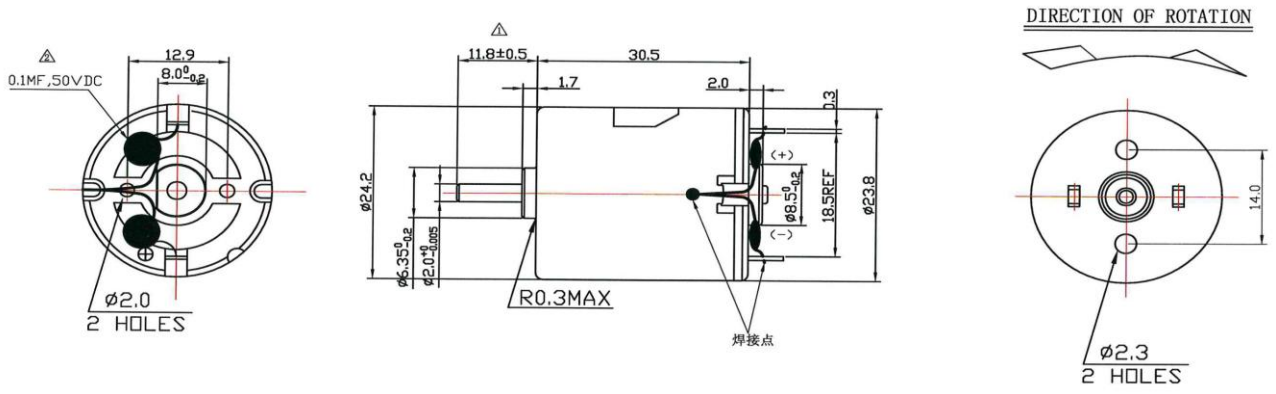
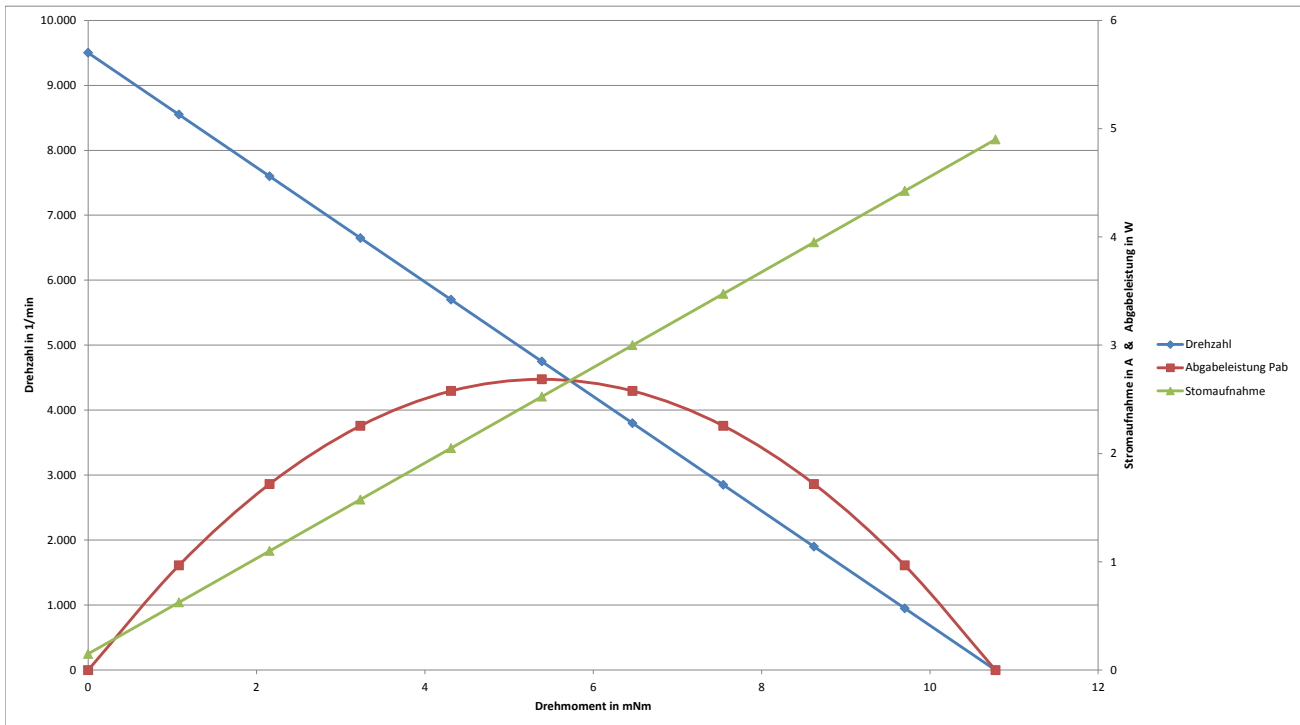


MODEL	VOLTAGE		NO LOAD		AT MAXIMUM EFFICIENCY				STARTING		max. OUTPUT POWER W	POLES	CAPACITOR	BRUSHES
	Operating Range	Nominal	Speed	Current	Speed	Current	Torque	Output Power	Current	Torque				
	VDC	VDC	rpm	A	rpm	A	mNm	W	A	mNm				
RE-280RAC-2865	1,5-4,5	3,0	9.500	0,15	8.107	0,85	1,58	1,34	4,90	10,78	2,68	3	47nF	metal



Irrtum und Druckfehler vorbehalten / Errors and Omissions excepted