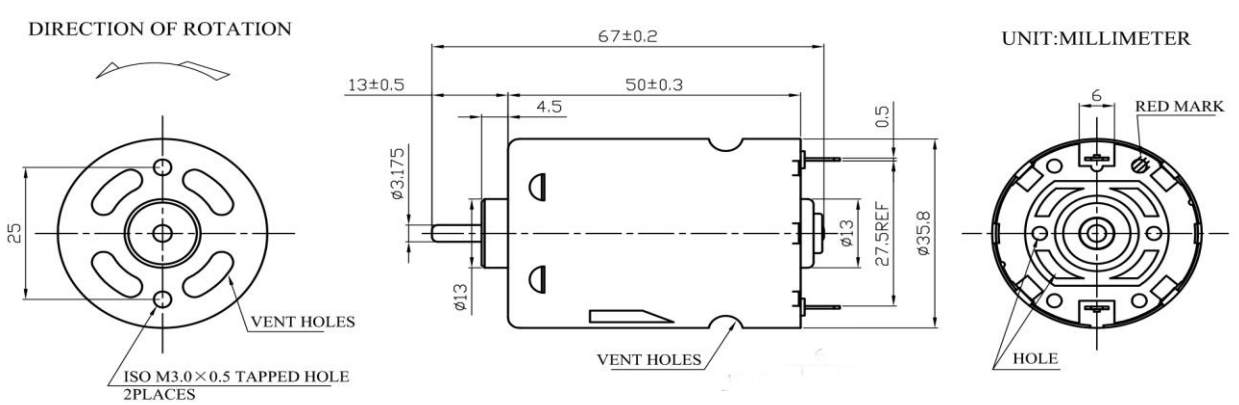
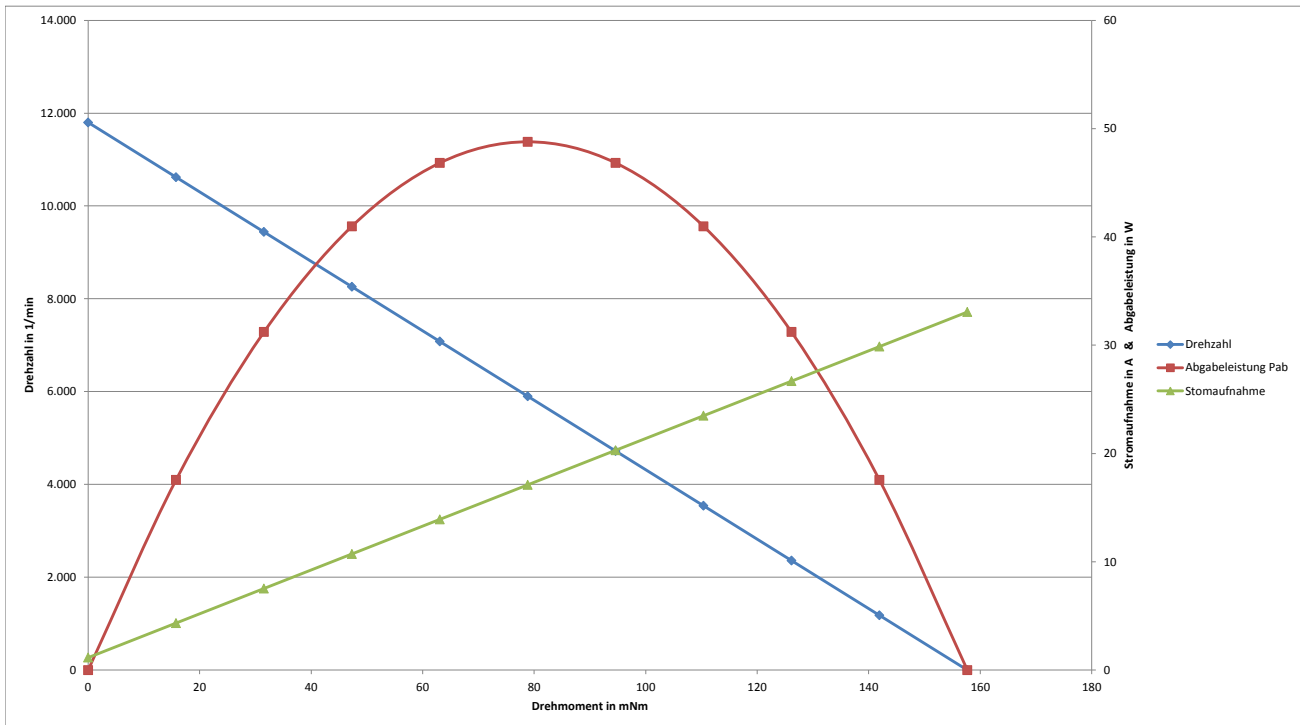


MODEL	VOLTAGE		NO LOAD		AT MAXIMUM EFFICIENCY				STARTING		max. OUTPUT POWER W	POLES	CAPACITOR	BRUSHES
	Operating Range	Nominal	Speed	Current	Speed	Current	Torque	Output Power	Current	Torque				
	VDC	VDC	rpm	A	rpm	A	mNm	W	A	mNm				
SR540SH-6230S-67	4,5-12,0	6,0	11.800	1,15	9.945	6,17	24,79	24,48	33,06	157,69	46,21	3	2x47nF	carbon



Irrtum und Druckfehler vorbehalten / Errors and Omissions excepted