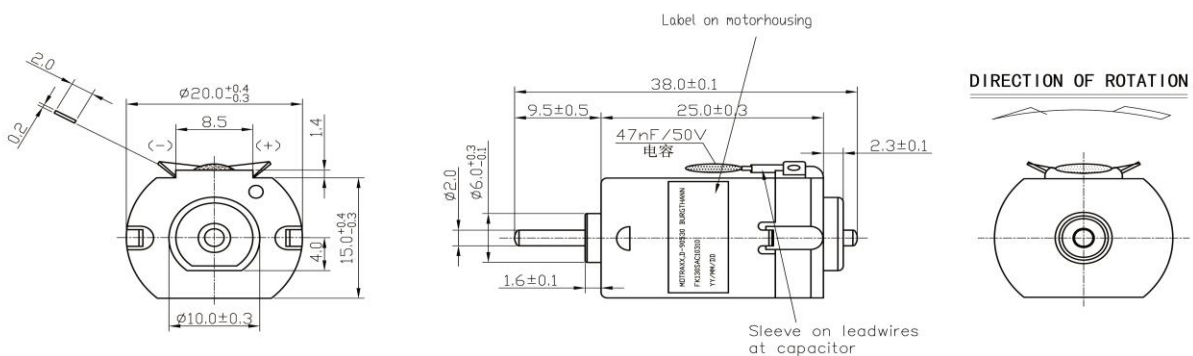
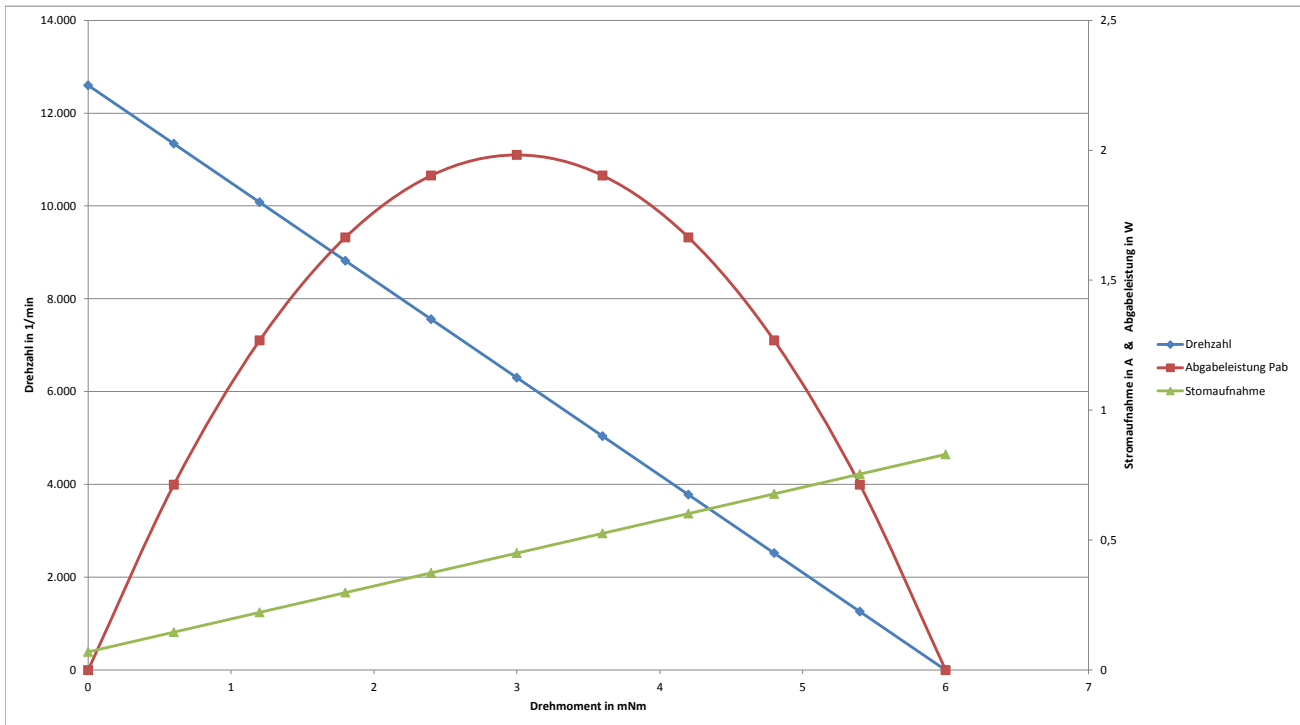


MODEL	VOLTAGE		NO LOAD		AT MAXIMUM EFFICIENCY			STARTING		max. OUTPUT POWER W	POLES	CAPACITOR	BRUSHES	
	Operating Range	Nominal	Speed	Current	Speed	Current	Torque	Output Power	Current					Torque
	VDC	VDC	rpm	A	rpm	A	mNm	W	A					mNm
FK-130SAC-10310-RU	9,0-12,0	12,0	12.600	0,07	9.900	0,23	1,30	1,33	0,83	6,00	1,96	3	47nF	carbon



Irrtum und Druckfehler vorbehalten / Errors and Omissions excepted