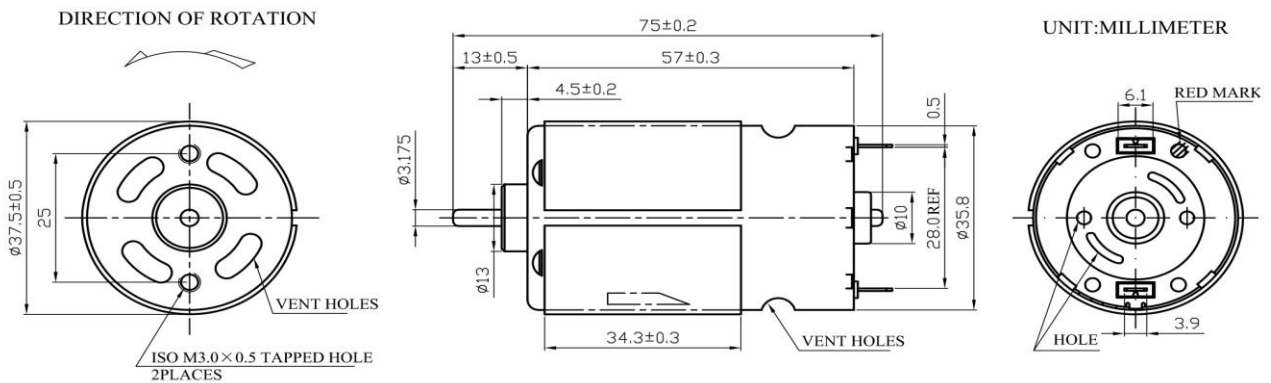
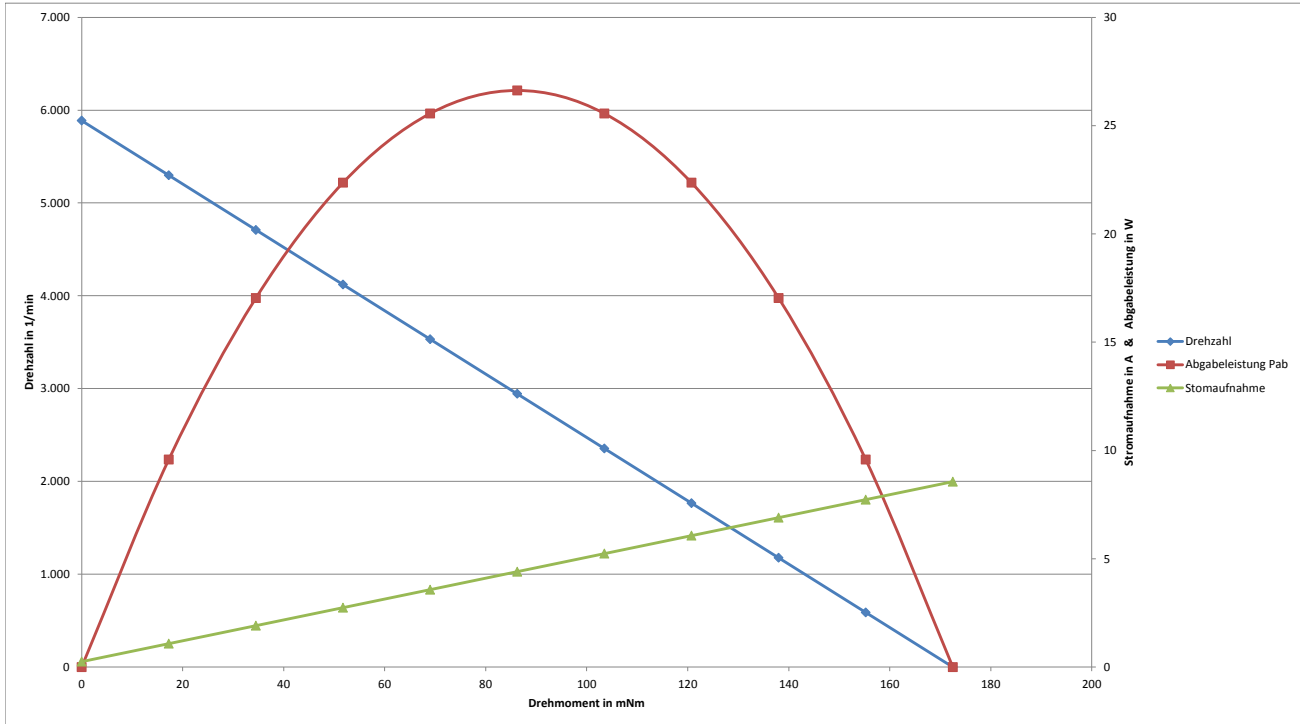


MODEL	VOLTAGE		NO LOAD		AT MAXIMUM EFFICIENCY				STARTING		max. OUTPUT POWER W	POLES	CAPACITOR	BRUSHES
	Operating Range	Nominal	Speed	Current	Speed	Current	Torque	Output Power	Current	Torque				
	VDC	VDC	rpm	A	rpm	A	mNm	W	A	mNm				
SR555SH-3247S-75C	10,0-14,0	12,0	5.887	0,25	5.028	1,46	25,18	12,07	8,56	172,50	24,21	5	2x47nF	carbon



Irrtum und Druckfehler vorbehalten / Errors and Omissions excepted