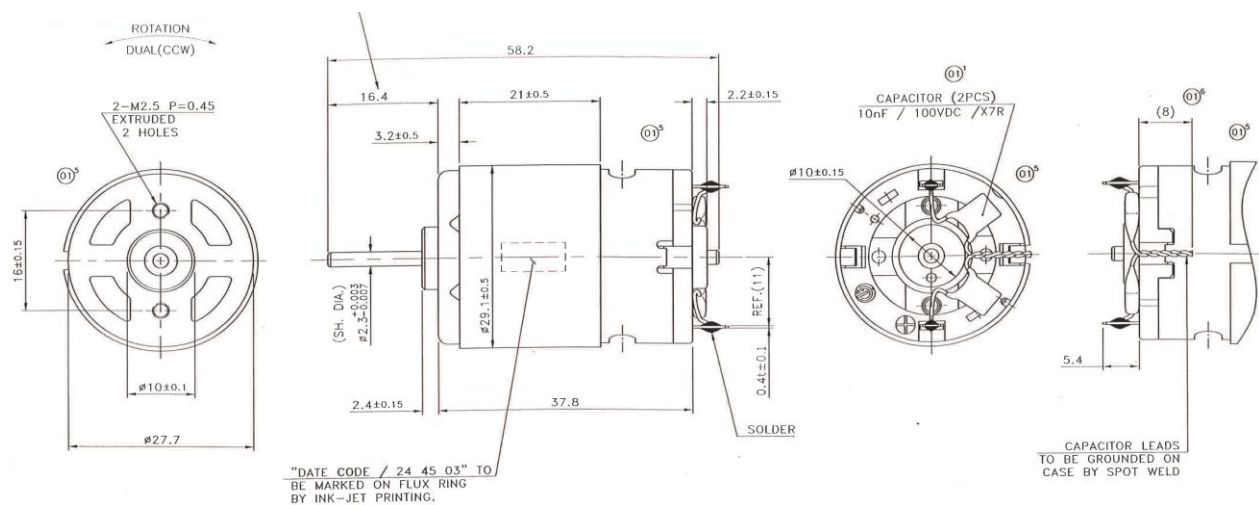
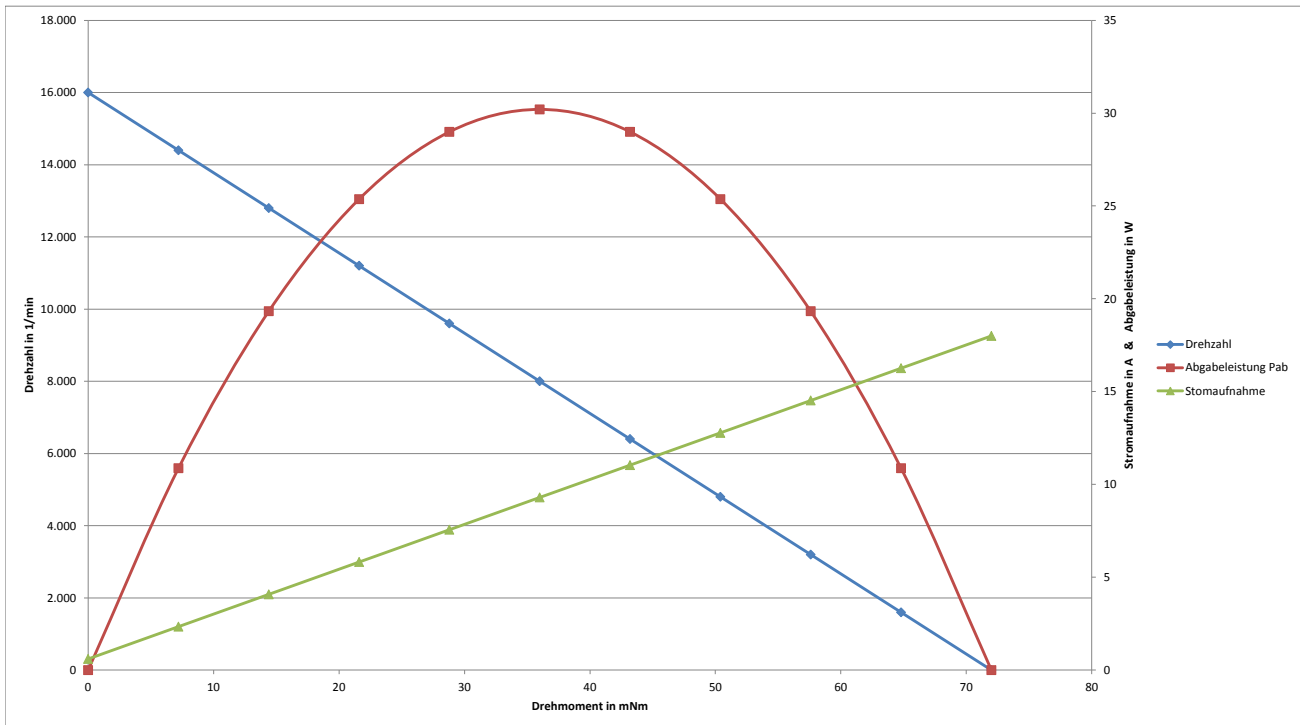


MODEL	VOLTAGE		NO LOAD		AT MAXIMUM EFFICIENCY			STARTING		max. OUTPUT POWER W	POLES	CAPACITOR	BRUSHES	
	Operating Range	Nominal	Speed	Current	Speed	Current	Torque	Output Power	Current					Torque
	VDC	VDC	rpm	A	rpm	A	mNm	W	A					mNm
2738-048-GF-3	3,0-9,0	7,2	16.000	0,60	13.600	3,50	12,00	16,00	18,00	72,00	3	2 x 47nF	carbon	



Irrtum und Druckfehler vorbehalten / Errors and Omissions excepted