

# USER MANUAL

Order No.: ER125

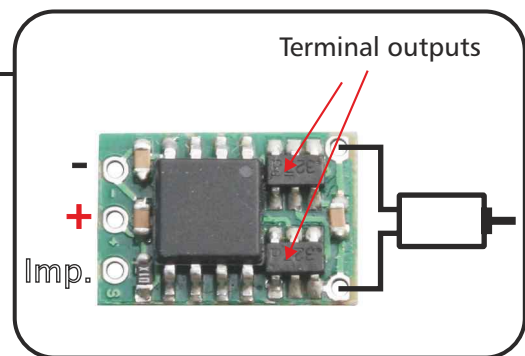
Conrad No. 248761

## ER125 SPEED CONTROLLER

### CONTROLLER FORWARD / REVERSE

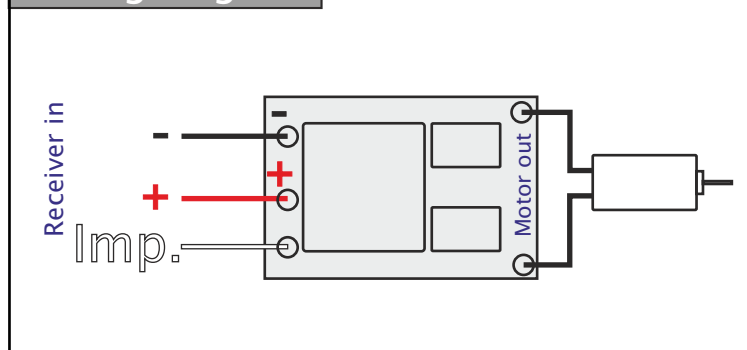
Technical data	ER125
Operating current in V	6 - 12
Motor current continuous in mA	1800 *
Motor current impulse in A	8*
Weight excluding cable in g	0,32
Dimensions in mm (l x b x h)	12,8 x 9 x 2,5
Automatic zero-point recognition	yes

(\* The output stage should be cooled in an appropriate manner that corresponds to the loading of the controller!

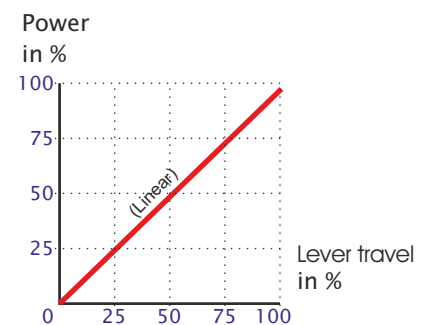


Dimensions: 12,8 x 9 x 2,5 mm

### Wiring diagram



### Characteristic line



### ER125 Functions and instructions

This speed controller stands out on account of its state-of-the-art functionality in the smallest possible space. With a continuous current of 1900 mA and an impulse current of 8 A, the ER125 is not only suitable for 1:87 scale modelling, but also for considerably larger scales, such as 1:32. The stored linear characteristic line guarantees a convenient control of DC motors.

#### Switching on the transmitter and receiver unit.

First the transmitter is switched on, then the receiver. The control knobs must not be moved until approx. 3 seconds. Now the precise zero point is registered.

#### Safety instructions to ensure long service from the ER125

Before first using the ER125, the following checks should be made to prevent any damage being caused to the controller:

- check on the polarity of the operating current
- check that there is no short-circuit at the motor outputs.

In case of faults or malfunction of the ER125, please read our suggested hints for suggested solutions under [www.1zu87modellbau.de](http://www.1zu87modellbau.de) here you will also find tips for correcting faults.