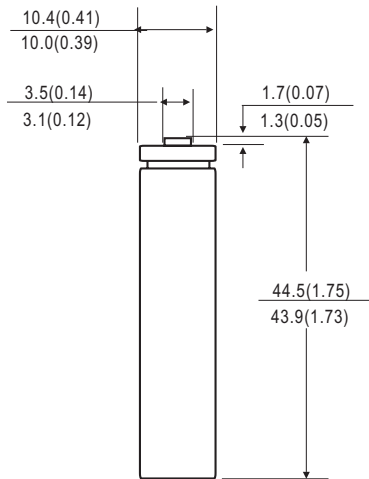


RECHARGEABLE BATTERY : Nickel Metal Hydride

Document Title: RB003111

NH-AAA1100

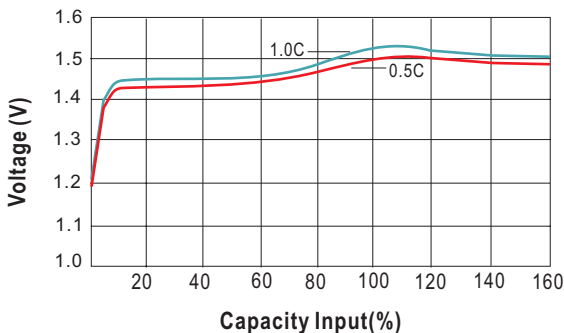
Dimensions:



Unit: mm(inch)

Chemical System	: Nickel Metal Hydride
Camelion Model	: NH-AAA1100
Average Weight	: 14.5g
Dimension (\varnothing x H)	: $10.2^{\pm 0.2} \times 44.2^{\pm 0.3}$ mm ($0.40^{\pm 0.01} \times 1.74^{\pm 0.01}$ inch)
Nominal Voltage	: 1.2 Volts
Nominal Internal Resistance	: 30 m-ohm @ 1kHz
Capacity(200mA constantly discharge to 1.0V at $20 \pm 2^\circ\text{C}$)	
Typical	: 1000mAh
Minimum	: 950mAh
Max. Charge Current	: 1100mA
Max. Discharge Current	: 2200mA
Relative Humidity	: $65 \pm 20\%$
Jacket	: PVC Label

Fast Charge Characteristics

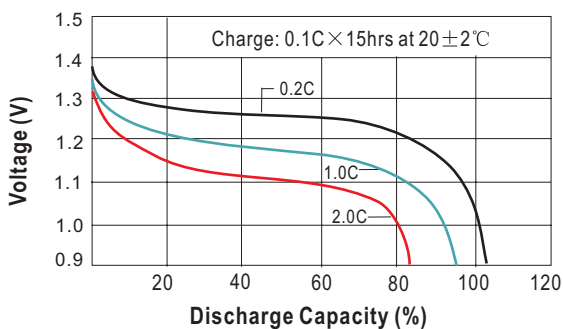


Charging Conditions

Mode	Current	Time	Temperature
Standard	110mA	15.0hrs	$0^\circ\text{C} \sim 45^\circ\text{C}$
Quick	550mA	2.5hrs	$10^\circ\text{C} \sim 45^\circ\text{C}$
Fast	1100mA	1.2hrs*	$10^\circ\text{C} \sim 45^\circ\text{C}$
Trickle	30~50mA	Continuously	$10^\circ\text{C} \sim 35^\circ\text{C}$

*Can also be controlled with - ΔV or dT/dt system
 - ΔV : 0-10mV
 dT/dt : $0.8^\circ\text{C}/\text{min}$ (0.5C to 0.9C)
 $0.8-1.0^\circ\text{C}/\text{min}$ (1C)
 Timer cut off : 120% nominal capacity
 Temp. cut off : 55°C

Discharge Characteristics



Continuous Overcharge

100mA maximum current for 28 days
 No conspicuous deformation and/or leakage

Operating and Storage Temperatures

Charge at 0.1C : 0°C to 50°C (32°F to 122°F)
Discharge at 0.1C : -20°C to 50°C (-4°F to 122°F)
Storage : -40°C to 50°C (-40°F to 122°F)
 (3 Months Max.)
 -20°C to 35°C (-4°F to 95°F)
 (2 Years Max.)

Service Life

>500 cycles (IEC standard)
 Up to 1000 cycles (not less than 60% of nominal at 0.1C Charge/0.2C discharge)

Notice:

Environmental elements comply with RoHS requirements. This information is subject to change without prior notice and for reference only. It should not be used as a basis for a product guarantee or warranty. For additional information, please consult your nearest Camelion Sales Office or Distributor or visit our website at: www.camelionbattery.com.