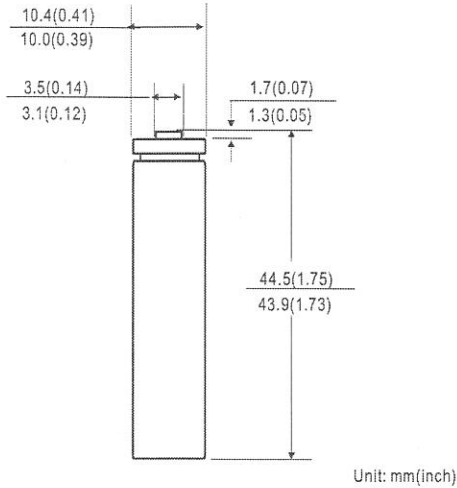


## RECHARGEABLE BATTERY : Nickel Metal Hydride

Document Title: RB003111

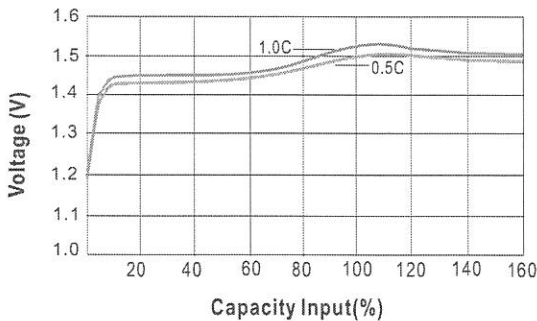
### NH-AAA1100

#### Dimensions:



Chemical System	:	Nickel Metal Hydride
Camelion Model	:	NH-AAA1100
Average Weight	:	14.5g
Dimension (Ø x H)	:	10.2 <sup>-0.2</sup> x 44.2 <sup>-0.3</sup> mm (0.40 <sup>-0.01</sup> x 1.74 <sup>-0.01</sup> inch)
Nominal Voltage	:	1.2 Volts
Nominal Internal Resistance	:	30 m-ohm @ 1kHz
Capacity(200mA constantly discharge to 1.0V at 20±2°C)	:	
Typical	:	1000mAh
Minimum	:	950mAh
Max. Charge Current	:	1100mA
Max. Discharge Current	:	2200mA
Relative Humidity	:	65±20%
Jacket	:	PVC Label

#### Fast Charge Characteristics



#### Charging Conditions

Mode	Current	Time	Temperature
Standard	110mA	15.0hrs	0°C~45°C
Quick	550mA	2.5hrs	10°C~45°C
Fast	1100mA	1.2hrs*	10°C~45°C
Trickle	30~50mA	Continuously	10°C~35°C

\*Can also be controlled with - ΔV or dT/dt system  
 - ΔV : 0-10mV  
 dT/dt : 0.8°C/min(0.5C to 0.9C)  
 0.8-1.0°C/min(1C)  
 Timer cut off : 120% nominal capacity  
 Temp. cut off : 55°C

#### Continuous Overcharge

100mA maximum current for 28 days  
 No conspicuous deformation and/or leakage

#### Operating and Storage Temperatures

Charge at 0.1C : 0°C to 50°C (32°F to 122°F )  
 Discharge at 0.1C : -20°C to 50°C (-4°F to 122°F)  
 Storage : -40°C to 50°C (-40°F to 122°F)  
 (3 Months Max.)  
 -20°C to 35°C (-4°F to 95°F)  
 (2 Years Max.)

#### Service Life

>500 cycles (IEC standard)  
 Up to 1000 cycles (not less than 60% of nominal at 0.1C Charge/0.2C discharge)

#### Discharge Characteristics

