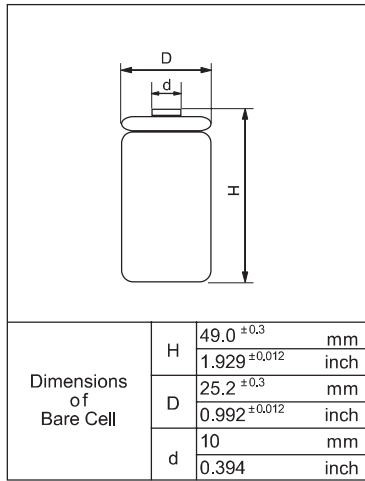


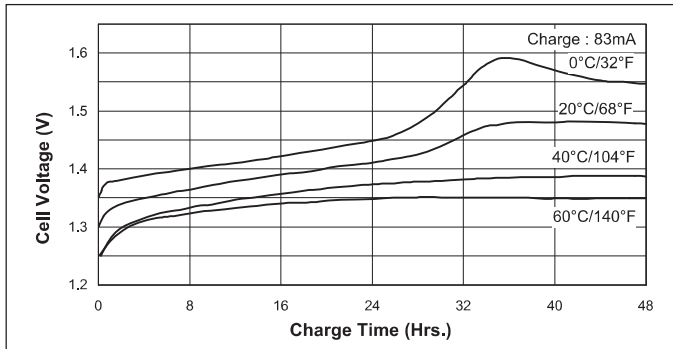
Cell Type KR-CH(2.5) Specifications



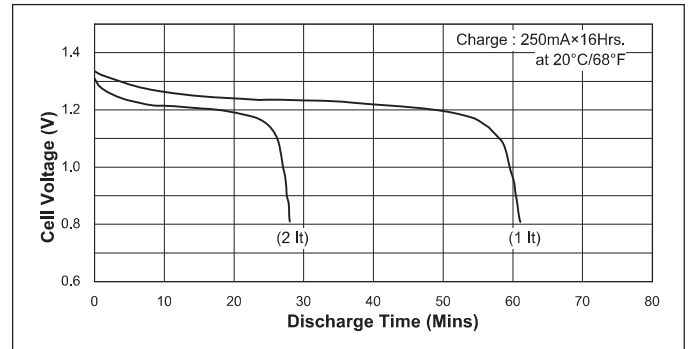
Nominal Capacity		2500mAh
Nominal Voltage		1.2V
Charging Current	Trickle	83mA
	Standard	250mA
Charging Time	Trickle	above 48Hrs.
	Standard	14 to 16Hrs.
Ambient Temperature	Charge	0°C to +70°C [+32°F to 158°F]
	Discharge	-20°C to +70°C [-4°F to 158°F]
	Storage	-30°C to +70°C [-22°F to 158°F]
Internal Impedance (Av.) (at 50% discharge)		6.5mΩ (at 1000Hz)
Weight		75g/ 2.65oz
Dimensions(D)x(H) (with tube)		26.0 ⁰ _{-0.8} × 50.0 ⁰ _{-1.3} mm 1.02 ⁰ _{-0.03} × 1.97 ⁰ _{-0.05} inch

Typical Characteristics

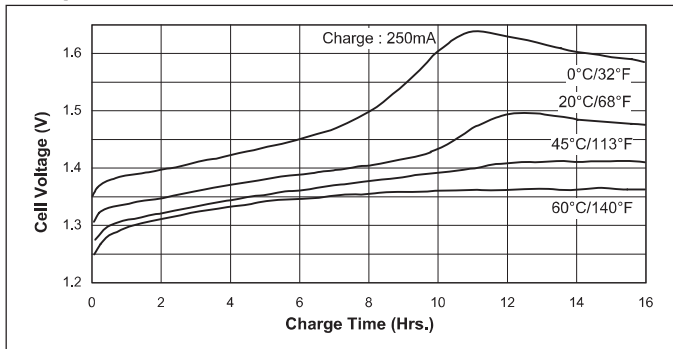
Charge



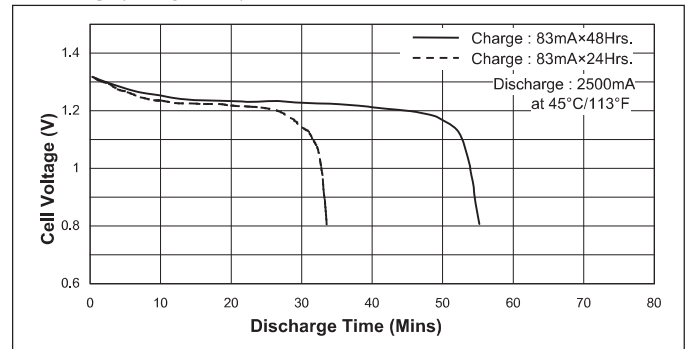
Discharge(at high rate)



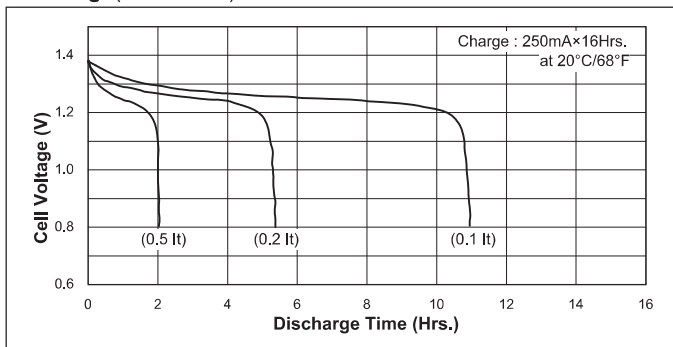
Charge



Discharge(at high rate)



Discharge(at low rate)



Temperature(Charge & Discharge)

