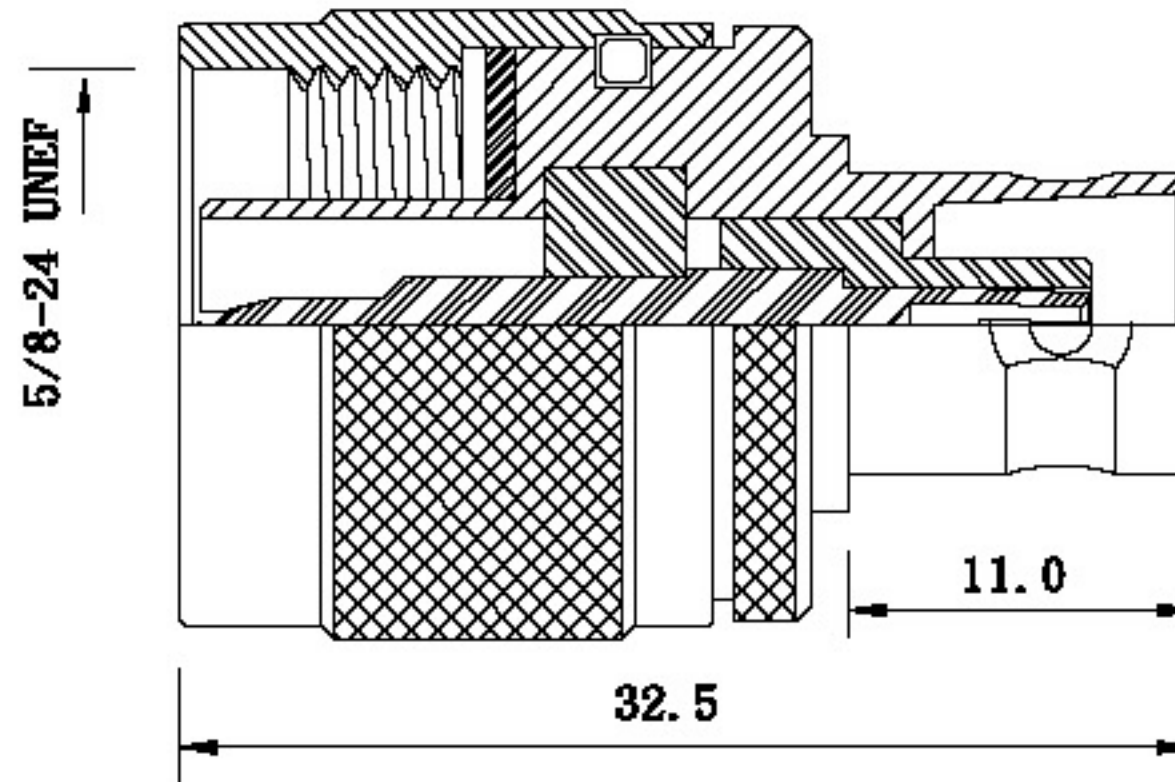


REVISIONS

MBOL	DESCRIPTION/DATE



4	Shell	Brass	Nickel
3	Insulator	Teflon	White
2	Contact	Brass	Gold
1	Body	Brass	Nickel
No	Description	Material	Finish

<p align="center">CUSTOMER OUTLINE DRAWING Unless Otherwise Specified Tolerances Dimensions Are In Millimeters And For Customer Reference Only</p> <p align="center">0.5-8\pm0.2 8-30\pm0.4 30-120\pm0.6 120-315\pm1.0</p> <p> RoHS</p>		Best No. 252620		
		Part: N-014-TGN		
		Title: N PLUG-BNC JACK T.G.N.		
Date:		Scale:	Unit:	Rev:
Jun/11/2009		3:1	M/M	A
Copy Right Reserved				