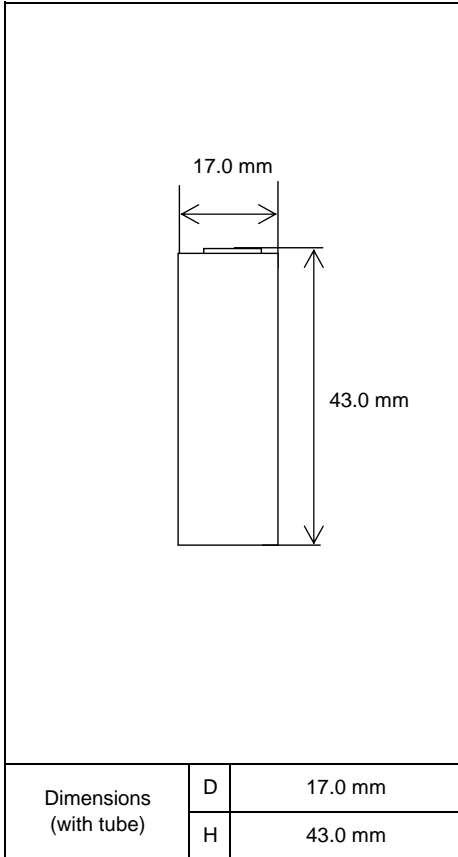


# Cell Type HR-4/5AU

## Specifications

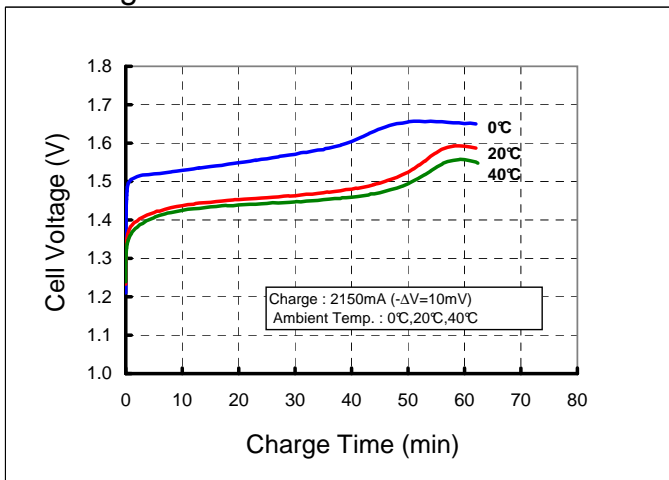


|  |                           |                           |            |
|--|---------------------------|---------------------------|------------|
| Type : Nickel-Metal Hydride Battery                                |                           | Size : 4/5A               |            |
| Capacity <sup>1)</sup>   | Typical                   | 2150mAh                   |            |
|  | Minimum                   | 1950mAh                   |            |
| Nominal Voltage  |                           | 1.2V                      |            |
| Charging Current x Time  | Fast Charge <sup>2)</sup> | 2150 mA x about 1.1h      |            |
| Ambient Temp.  | Charge Condition          | Fast Charge <sup>2)</sup> |            |
|  | Discharge Condition       |                           |            |
|  | Storage Condition         | Less than 30days          | 0°C - 40°C |
|  |                           | Less than 90days          | 0°C - 50°C |
| Less than 1year  |                           | -20°C - 50°C              |            |
| Internal Impedance <sup>3)</sup><br>(after discharge to E.V.=1.0V) |                           | Approx. 25mΩ(at 1000Hz)   |            |
| Weight <sup>4)</sup>   |                           | Approx. 35 g              |            |
| Size <sup>4)</sup> : (Diameter) x (Height)                         |                           | 17.0(D) x 43.0(H) mm      |            |

- 1) Single cell capacity under the following condition.  
Charge : 215mA x 16h, Discharge : 430mA (E.V.=1.0V) at 20°C
- 2) Use recommended charging system.
- 3) After a few charge and discharge cycles under the above 1) condition.
- 4) With tube.

## Typical Characteristics

### Charge



### Discharge

