

## KLIPPON POK4 M20WCSS EX

**Weidmüller Interface GmbH & Co. KG**

Klingenbergstraße 16

D-32758 Detmold

Germany

Fon: +49 5231 14-0

Fax: +49 5231 14-292083

www.weidmueller.com



The Klippon® brand has long stood for competence and quality in housings, particularly when customer solutions for standard industrial applications and applications in explosive risk zones are concerned.

Weidmüller meets these requirements with its range of steel sheet enclosures in the new Klippon® TB series, available in Multi-Hinge (MH) and Quarter-Lock (QL) versions, the Klippon® STB series and the aluminium enclosures of the Klippon® K series.

The portfolio is rounded off with the polyester enclosures of the Klippon® POK series and the polycarbonate enclosures.

Irrespective of which application users are planning, Weidmüller offers numerous precisely fitting housing solutions and individual services: turnkey enclosures with customer-specific configurations such as terminal rails, drilled holes, cable glands, cutouts, special coatings and much more besides.

### General ordering data

Type	KLIPPON POK4 M20WCSS EX
Order No.	<a href="#">800003593</a>
Version	Terminal Box, ATEX II 2GD T85°C Ex e II T6, KLIPPON POK 12 1209 EX, KL SET 12W4 S, Drill holes side A: 3 x M20x1.5, Drill holes side B: 3 x M20x1.5
GTIN (EAN)	4032248986545
Qty.	1 pc(s).
Reference product	<a href="#">1306050000</a>

## KLIPPON POK4 M20WCSS EX

**Weidmüller Interface GmbH & Co. KG**  
 Klingenbergstraße 16  
 D-32758 Detmold  
 Germany  
 Fon: +49 5231 14-0  
 Fax: +49 5231 14-292083  
 www.weidmueller.com

## Technical data

### Dimensions and weights

Net weight	1,084.388 g
------------	-------------

### Certificate numbers enclosure

Certificate no. assembled enclosure (ATEX)	IBExU13ATEX1004 X	Certificate no. assembled enclosure (IECEX)	IECEX IBE 13.0004X
Certificate no., assembled enclosure (EAC)	RU C-DE.ГБ08.B.01328		

### Housing

Drill holes side A	3 x M20x1.5	Drill holes side B	3 x M20x1.5
Material	Glass fibre-reinforced polyester		

### Classifications

ETIM 5.0	EC000058	ETIM 6.0	EC002503
eClass 6.2	27-14-91-07	eClass 7.1	27-14-91-07
eClass 8.1	27-14-91-07	eClass 9.0	27-18-05-02
eClass 9.1	27-18-05-90		

### Approvals

Approvals



ROHS	Conform
------	---------

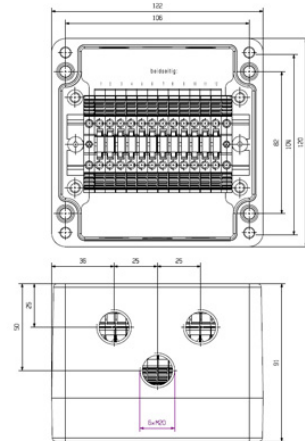
### Downloads

Brochure/Catalogue	<a href="#">CAT 5 ENCL 17/18 EN</a>
PDF (3D)	<a href="#">8000003593.pdf</a>

**KLIPPON POK4 M20WCSS EX**

**Weidmüller Interface GmbH & Co. KG**  
Klingenbergstraße 16  
D-32758 Detmold  
Germany  
Fon: +49 5231 14-0  
Fax: +49 5231 14-292083  
www.weidmueller.com

**Drawings**



## Klippon POK (polyester empty enclosure) KLIPPON POK 121209 EX

**Weidmüller Interface GmbH & Co. KG**  
Klingenbergstraße 16  
D-32758 Detmold  
Germany  
Fon: +49 5231 14-0  
Fax: +49 5231 14-292083  
www.weidmueller.com



### Klippon® POK – polyester enclosure

The glass-fibre reinforced polyester enclosures of the Klippon® POK range offer a high-quality solution for protecting electrical components. These enclosures are ideal wherever corrosion resistance, shock resistance and a high degree of protection are required.

#### Features:

- glass-fibre reinforced polyester
- 17 sizes
- Two standard colours: grey (similar to RAL 7001) and black (similar to RAL 9011)
- Cover with stainless steel screws in cross-head / slotted design
- Moulded gasket made of silicone or chloroprene
- Fixing holes outside the sealed area
- Mounting directly in the enclosure or using an internal mounting plate
- Direct wall mounting possible using fixing holes or mounting feet
- Fastening thread to attach mounting rails and plates
- Weidmüller can manufacture and supply this enclosure to match customer specifications - fitted with all necessary terminals and cable glands.

#### General ordering data

Type	KLIPPON POK 121209 EX
Order No.	<a href="#">1306050000</a>
Version	Klippon POK (polyester empty enclosure), Empty enclosure, Height: 120 mm, Width: 122 mm, Depth: 90 mm, Material: Glass fibre-reinforced polyester, untreated, polished, black
GTIN (EAN)	4050118108378
Qty.	1 pc(s).
Required tool	<a href="#">9008540000</a>

**Klippon POK (polyester empty enclosure)  
KLIPPON POK 121209 EX**

**Weidmüller Interface GmbH & Co. KG**  
Klingenbergstraße 16  
D-32758 Detmold  
Germany  
Fon: +49 5231 14-0  
Fax: +49 5231 14-292083  
www.weidmueller.com

**Technical data**
**Dimensions and weights**

Width	122 mm	Width (inches)	4.803 inch
Height	120 mm	Height (inches)	4.724 inch
Height of lowest version	90 mm	Depth	90 mm
Depth (inches)	3.543 inch	Mounting dimension - width	106 mm
Mounting dimension - height	82 mm	Net weight	769 g

**Cable glands, left**

M12	8	M16	4
M20	3	M25	1
M32	1		

**Cable glands, right**

M12	8	M16	4
M20	3	M25	1
M32	1		

**Cable glands, top/bottom**

M12	12	M16	6
M20	4	M25	2
M32	1		

**Certificate numbers enclosure**

Certificate no. assembled enclosure (ATEX)	IBExU13ATEX1004 X	Certificate no. empty enclosure (ATEX)	IBExU13ATEX1030 U
Certificate no. assembled enclosure (IECEX)	IECEX IBE 13.0004X	Certificate no. empty enclosure (IECEX)	IECEX IBE 13.0003U
Certificate no., assembled enclosure (EAC)	RU C-DE.ГБ08.B.01328	Certificate no., empty enclosure (EAC)	RU C-DE.ГБ08.B.00472
Certificate no. assembled enclosure (AEx)	E223792	Certificate no. empty enclosure (AEx)	E223792
Certificate no., assembled enclosure (KOSHA)	16-AV4BO-0246X	Certificate No. (GERMLLOYD)	TAE00002R2
Certificate No. (MARITREG)	14.40041.250	Certificate no. (cULus)	E256877

**Klippon POK (polyester empty enclosure)  
KLIPPON POK 121209 EX**

**Weidmüller Interface GmbH & Co. KG**  
 Klingenbergstraße 16  
 D-32758 Detmold  
 Germany  
 Fon: +49 5231 14-0  
 Fax: +49 5231 14-292083  
 www.weidmueller.com

**Technical data****General information**

Areas of use	Explosive risk zone, Harbour facilities, Machine construction, Process industry, Transportation	Installation advice	Direct mounting, Mounting straps
Material thickness	4.39 mm	Material thickness of cover	4.4 mm
Material thickness of enclosure	4.39 mm	Standards	DIN EN 62208 - Empty enclosure standard, IEC 60079-0, IEC 60079-7, IEC 60079-31
Torque for lid screws	2.5 Nm	UL 94 flammability rating	V-0
Material	Glass fibre-reinforced polyester	Seal material	Silicone
Surface finish	untreated, polished	Operating temperature, min.	-55 °C
Operating temperature, max.	100 °C	Impact resistance	7 J ATEX version
Protection degree	IP66	Enclosure attachment	Installation through the housing rear wall, Fixing lugs
Lid attachment	Slotted/Phillips screws		

**General information on accessories**

Material	Glass fibre-reinforced polyester	Material thickness	4.39 mm
Mounting dimension - height	82 mm	Mounting dimension - width	106 mm
Surface finish	untreated, polished		

**horizontal assembly**

WDU 10 / ZDU 10	1x6	WDU 16 / ZDU 16	1x5
WDU 2,5 / ZDU 2,5 / IDU 2,5	1x12	WDU 4 / ZDU 4	1x10
WDU 6 / ZDU 6	1x7		

**vertical assembly**

WDU 2,5 / ZDU 2,5 / IDU 2,5	*	WDU 4 / ZDU 4	*
-----------------------------	---	---------------	---

**Classifications**

ETIM 5.0	EC002503	ETIM 6.0	EC002503
eClass 6.2	27-18-05-02	eClass 7.1	27-18-05-02
eClass 8.1	27-18-05-02	eClass 9.0	27-18-05-02
eClass 9.1	27-18-05-02		

## Klippon POK (polyester empty enclosure) KLIPPON POK 121209 EX

**Weidmüller Interface GmbH & Co. KG**  
 Klingenbergstraße 16  
 D-32758 Detmold  
 Germany  
 Fon: +49 5231 14-0  
 Fax: +49 5231 14-292083  
 www.weidmueller.com

## Technical data

### Approvals

Approvals



ROHS Conform

### Downloads

Approval/Certificate/Document of Conformity	<a href="#">Attestation of Conformity - Klippon POK Empty Enclosures - AoC DE PS2600 160308 001ISS01</a> <a href="#">EU Declaration of Conformity - Klippon POK Empty Enclosures Ex - DoC DE PS2600 160412 001ISS01</a>
Brochure/Catalogue	<a href="#">MB OVERV. PROCESS WD DE</a> <a href="#">MB KLIPPON ENCL.TECN EN</a> <a href="#">MB PROCESS EN</a> <a href="#">CAT 5 ENCL 17/18 EN</a> <a href="#">FL KLIPPON POK EN</a> <a href="#">FL SHIPBUILDING 2016 EN</a>
Engineering Data	<a href="#">EPLAN, WSCAD</a>
Engineering Data	<a href="#">STEP</a>
Tender specification	<a href="#">Klippon POK 121209 Ex_1306050000_DE</a> <a href="#">Klippon POK 121209 Ex_1306050000_EN</a>
User Documentation	<a href="#">MB KLIPPON ENCL.TECN DE</a> <a href="#">Assembly guidelines - empty enclosures</a>

**Klippon POK (polyester empty enclosure)  
KLIPPON POK 121209 EX**

**Weidmüller Interface GmbH & Co. KG**  
Klingenbergstraße 16  
D-32758 Detmold  
Germany  
Fon: +49 5231 14-0  
Fax: +49 5231 14-292083  
www.weidmueller.com

**Drawings**

