

KLIPPON K31 M20ACSS EX

Weidmüller Interface GmbH & Co. KG

Klingenbergstraße 16

D-32758 Detmold

Germany

Fon: +49 5231 14-0

Fax: +49 5231 14-292083

www.weidmueller.com



The Klippon® brand has long stood for competence and quality in housings, particularly when customer solutions for standard industrial applications and applications in explosive risk zones are concerned.

Weidmüller meets these requirements with its range of steel sheet enclosures in the new Klippon® TB series, available in Multi-Hinge (MH) and Quarter-Lock (QL) versions, the Klippon® STB series and the aluminium enclosures of the Klippon® K series.

The portfolio is rounded off with the polyester enclosures of the Klippon® POK series and the polycarbonate enclosures.

Irrespective of which application users are planning, Weidmüller offers numerous precisely fitting housing solutions and individual services: turnkey enclosures with customer-specific configurations such as terminal rails, drilled holes, cable glands, cutouts, special coatings and much more besides.

General ordering data

Type	KLIPPON K31 M20ACSS EX
Order No.	8000004215
Version	Terminal Box, ATEX II 2GD T85°C Ex e II T6, KLIPPON K31 EX, KL SET 2 1A4 S, Drill holes side A: 4 x M20x1.5, Drill holes side B: 4 x M20x1.5
GTIN (EAN)	4032248986538
Qty.	1 pc(s).
Reference product	9526890000

KLIPPON K31 M20ACSS EX

Weidmüller Interface GmbH & Co. KG
 Klingenbergstraße 16
 D-32758 Detmold
 Germany
 Fon: +49 5231 14-0
 Fax: +49 5231 14-292083
 www.weidmueller.com

Technical data**Dimensions and weights**

Net weight	892.269 g
------------	-----------

Environmental Product Compliance

REACH SVHC	Lead 7439-92-1
------------	----------------

Certificate numbers enclosure

Certificate no. assembled enclosure (ATEX)	IBExU12ATEX1145 X	Certificate no. assembled enclosure (IECEX)	IECEX IBE 13.0002X
Certificate no., assembled enclosure (EAC)	RU C-DE.ГБ08.B.01328		

Housing

Drill holes side A	4 x M20x1.5	Drill holes side B	4 x M20x1.5
Material	Aluminium AlSi12		

Classifications

ETIM 5.0	EC000058	ETIM 6.0	EC002503
eClass 6.2	27-14-91-07	eClass 7.1	27-14-91-07
eClass 8.1	27-14-91-07	eClass 9.0	27-18-05-02
eClass 9.1	27-18-05-90		

Approvals

Approvals

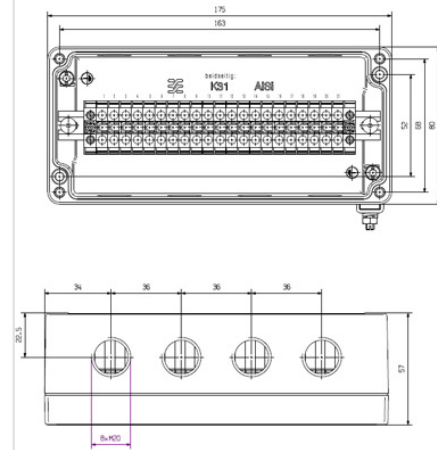
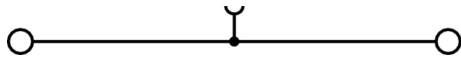
**Downloads**

Brochure/Catalogue	CAT 5 ENCL 17/18 EN
PDF (3D)	8000004215.pdf

KLIPPON K31 M20ACSS EX

Weidmüller Interface GmbH & Co. KG
Klingenbergstraße 16
D-32758 Detmold
Germany
Fon: +49 5231 14-0
Fax: +49 5231 14-292083
www.weidmueller.com

Drawings



Klippon K (aluminium empty enclosure) KLIPPON K31 EX

Weidmüller Interface GmbH & Co. KG
Klingenbergstraße 16
D-32758 Detmold
Germany
Fon: +49 5231 14-0
Fax: +49 5231 14-292083
www.weidmueller.com



The Klippon® brand has long stood for competence and quality in housings – particularly when turnkey, customer-specific solutions for standard industrial applications and applications in explosive risk zones are concerned.

Improved products that meet all application requirements: this was Weidmüller's aim when modernising and upgrading the Klippon® K enclosure series. No matter what kind of application the customer is planning; Weidmüller is able to provide a wide range of aluminium enclosures precisely fitting the customer's requirements.

- Available in two surface finishes: natural and powder-coated (RAL 7001)
- Available with moulded silicone or chloroprene gasket as standard
- Uniform Torx slotted screw head for 19 enclosure sizes
- Mounting holes outside of the gasket area
- High IP protection classes: IP66, IP67 and IP68
- Impact resistance of up to 7 (10) Joules
- The enclosures are approved according ATEX, IECEx, GOST Ex, GOST, cULus, Russian Maritime Register and Germanischer Lloyd as well as the empty enclosure standard.
- Alloy is resistant to salt water
- Standardised distributor enclosures with threaded holes and a variety of terminal configurations

General ordering data

Type	KLIPPON K31 EX
Order No.	9526890000
Version	Klippon K (aluminium empty enclosure), Empty enclosure, Aluminium enclosure, Height: 80 mm, Width: 175 mm, Depth: 57 mm, Material: Aluminium AlSi12, untreated, silver
GTIN (EAN)	4032248019106
Qty.	1 pc(s).

**Klippon K (aluminium empty enclosure)
KLIPPON K31 EX**

Weidmüller Interface GmbH & Co. KG
 Klingenbergstraße 16
 D-32758 Detmold
 Germany
 Fon: +49 5231 14-0
 Fax: +49 5231 14-292083
 www.weidmueller.com

Technical data**Dimensions and weights**

Width	175 mm	Width (inches)	6.89 inch
Height	80 mm	Height (inches)	3.15 inch
Depth	57 mm	Depth (inches)	2.244 inch
Mounting dimension - width	163 mm	Mounting dimension - height	52 mm
Weight	520 g	Net weight	594 g

Environmental Product Compliance

REACH SVHC Lead 7439-92-1

Cable glands, left

M12	2	M16	2
M20	1		

Cable glands, right

M12	2	M16	2
M20	1		

Cable glands, top/bottom

M12	9	M16	6
M20	4	M25	3

Certificate numbers enclosure

Certificate no. assembled enclosure (ATEX)	IBExU12ATEX1145 X	Certificate no. empty enclosure (ATEX)	IBExU12ATEX1144 U
Certificate no. assembled enclosure (IECEX)	IECEX IBE 13.0002X	Certificate no. empty enclosure (IECEX)	IECEX IBE 13.0001U
Certificate no., assembled enclosure (EAC)	RU C-DE.ГБ08.B.01328	Certificate no., empty enclosure (EAC)	RU C-DE.ГБ08.B.00472
Certificate No. (GERMLLOYD)	TAE00002SM	Certificate No. (MARITREG)	14.40040.250

General information

Areas of use	Explosive risk zone, Process industry, Transportation, Packaging industry, Marine engineering, Machine construction, Harbour facilities	Material thickness	4 mm
Material thickness of cover	2.5 mm	Material thickness of enclosure	4 mm
Standards	IEC 60079-0, IEC 60079-7, IEC 60079-31	Torque for lid screws	2.5 Nm
Material	Aluminium AISi12	Seal material	Silicone
Surface finish	untreated	Operating temperature, min.	-60 °C
Operating temperature, max.	135 °C	Impact resistance	7.00 J
Protection degree	IP66, IP67	Enclosure attachment	Holes 4 mm
Lid attachment	M4 torx stainless steel screws with slot	Integral fixing	Threaded holes M4

Creation date May 28, 2019 12:19:04 AM CEST

Catalogue status 23.05.2019 / We reserve the right to make technical changes.

Klippon K (aluminium empty enclosure) KLIPPON K31 EX

Weidmüller Interface GmbH & Co. KG
Klingenbergstraße 16
D-32758 Detmold
Germany
Fon: +49 5231 14-0
Fax: +49 5231 14-292083
www.weidmueller.com

Technical data

horizontal assembly

WDU 2,5 / ZDU 2,5 / IDU 2,5	1x23	WDU 4 / ZDU 4	1x19
-----------------------------	------	---------------	------

vertical assembly

WDU 2,5 / ZDU 2,5 / IDU 2,5	*	WDU 4 / ZDU 4	*
-----------------------------	---	---------------	---

Classifications

ETIM 3.0	EC000049	ETIM 4.0	EC002503
ETIM 5.0	EC002503	ETIM 6.0	EC002503
UNSPSC	31-26-15-02	eClass 5.1	27-18-05-02
eClass 6.2	27-18-05-02	eClass 7.1	27-18-05-02
eClass 8.1	27-18-05-02	eClass 9.0	27-18-05-02
eClass 9.1	27-18-05-02		

Approvals

Approvals



ROHS Conform

Downloads

Approval/Certificate/Document of Conformity	Attestation of Conformity - Klippon K Empty Enclosures - AoC DE PS2410 160308 001ISS01 EU Declaration of Conformity - Klippon K Empty Enclosures - DoC DE PS2410 160412 001ISS01
Brochure/Catalogue	MB OVERV. PROCESS WD DE MB KLIPPON ENCL.TECN EN MB PROCESS EN CAT 5 ENCL 17/18 EN FL RAILWAY 2014 EN
Engineering Data	EPLAN_WSCAD
Engineering Data	STEP
Tender specification	Klippon K31 Ex_9526890000_DE Klippon K31 Ex_9526890000_EN
User Documentation	MB KLIPPON ENCL.TECN DE Assembly guidelines - empty enclosures

**Klippon K (aluminium empty enclosure)
KLIPPON K31 EX**

Weidmüller Interface GmbH & Co. KG
Klingenbergstraße 16
D-32758 Detmold
Germany
Fon: +49 5231 14-0
Fax: +49 5231 14-292083
www.weidmueller.com

Drawings**Dimensioned drawing**