

## KLIPPON K5 4M20WCSS EX

**Weidmüller Interface GmbH & Co. KG**

Klingenbergstraße 16

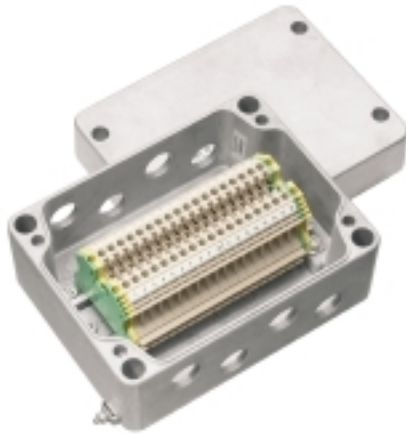
D-32758 Detmold

Germany

Fon: +49 5231 14-0

Fax: +49 5231 14-292083

www.weidmueller.com



The Klippon® brand has long stood for competence and quality in housings, particularly when customer solutions for standard industrial applications and applications in explosive risk zones are concerned.

Weidmüller meets these requirements with its range of steel sheet enclosures in the new Klippon® TB series, available in Multi-Hinge (MH) and Quarter-Lock (QL) versions, the Klippon® STB series and the aluminium enclosures of the Klippon® K series.

The portfolio is rounded off with the polyester enclosures of the Klippon® POK series and the polycarbonate enclosures.

Irrespective of which application users are planning, Weidmüller offers numerous precisely fitting housing solutions and individual services: turnkey enclosures with customer-specific configurations such as terminal rails, drilled holes, cable glands, cutouts, special coatings and much more besides.

### General ordering data

Type	KLIPPON K5 4M20WCSS EX
Order No.	<a href="#">8000004218</a>
Version	Terminal Box, ATEX II 2GD T85°C Ex e II T6, KLIPPON K5 EX, KL SET 18W4 S, Drill holes side A: 4 x M20x1.5, Drill holes side B: 4 x M20x1.5
GTIN (EAN)	4032248986620
Qty.	1 pc(s).
Reference product	<a href="#">9526930000</a>

**KLIPPON K5 4M20WCSS EX**

**Weidmüller Interface GmbH & Co. KG**  
 Klingenbergstraße 16  
 D-32758 Detmold  
 Germany  
 Fon: +49 5231 14-0  
 Fax: +49 5231 14-292083  
 www.weidmueller.com

**Technical data****Dimensions and weights**

Net weight	1,850.84 g
------------	------------

**Environmental Product Compliance**

REACH SVHC	Lead 7439-92-1
------------	----------------

**Certificate numbers enclosure**

Certificate no. assembled enclosure (ATEX)	IBExU12ATEX1145 X	Certificate no. assembled enclosure (IECEX)	IECEX IBE 13.0002X
Certificate no., assembled enclosure (EAC)	RU C-DE.ГБ08.B.01328		

**Housing**

Drill holes side A	4 x M20x1.5	Drill holes side B	4 x M20x1.5
Material	Aluminium AlSi12		

**Classifications**

ETIM 5.0	EC000058	ETIM 6.0	EC002503
eClass 6.2	27-14-91-07	eClass 7.1	27-14-91-07
eClass 8.1	27-14-91-07	eClass 9.0	27-18-05-02
eClass 9.1	27-18-05-90		

**Approvals**

Approvals



ROHS	Conform
------	---------

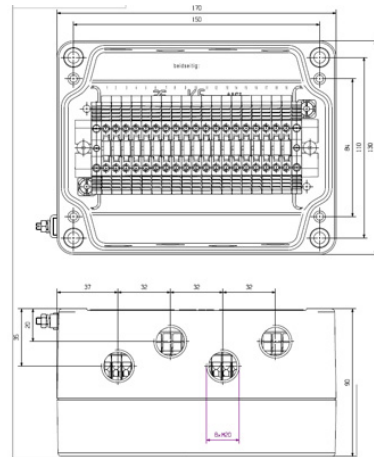
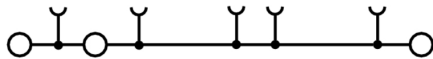
**Downloads**

Brochure/Catalogue	<a href="#">CAT 5 ENCL 17/18 EN</a>
PDF (3D)	<a href="#">8000004218.pdf</a>

**KLIPPON K5 4M20WCSS EX**

**Weidmüller Interface GmbH & Co. KG**  
Klingenbergstraße 16  
D-32758 Detmold  
Germany  
Fon: +49 5231 14-0  
Fax: +49 5231 14-292083  
[www.weidmueller.com](http://www.weidmueller.com)

**Drawings**



## Klippon K (aluminium empty enclosure) KLIPPON K5 EX

**Weidmüller Interface GmbH & Co. KG**  
Klingenbergstraße 16  
D-32758 Detmold  
Germany  
Fon: +49 5231 14-0  
Fax: +49 5231 14-292083  
www.weidmueller.com



The Klippon® brand has long stood for competence and quality in housings – particularly when turnkey, customer-specific solutions for standard industrial applications and applications in explosive risk zones are concerned.

Improved products that meet all application requirements: this was Weidmüller's aim when modernising and upgrading the Klippon® K enclosure series. No matter what kind of application the customer is planning; Weidmüller is able to provide a wide range of aluminium enclosures precisely fitting the customer's requirements.

- Available in two surface finishes: natural and powder-coated (RAL 7001)
- Available with moulded silicone or chloroprene gasket as standard
- Uniform Torx slotted screw head for 19 enclosure sizes
- Mounting holes outside of the gasket area
- High IP protection classes: IP66, IP67 and IP68
- Impact resistance of up to 7 (10) Joules
- The enclosures are approved according ATEX, IECEx, GOST Ex, GOST, cULus, Russian Maritime Register and Germanischer Lloyd as well as the empty enclosure standard.
- Alloy is resistant to salt water
- Standardised distributor enclosures with threaded holes and a variety of terminal configurations

### General ordering data

Type	KLIPPON K5 EX
Order No.	<a href="#">9526930000</a>
Version	Klippon K (aluminium empty enclosure), Empty enclosure, Aluminium enclosure, Height: 130 mm, Width: 170 mm, Depth: 90 mm, Material: Aluminium AlSi12, untreated, silver
GTIN (EAN)	4032248019069
Qty.	1 pc(s).

## Klippon K (aluminium empty enclosure) KLIPPON K5 EX

**Weidmüller Interface GmbH & Co. KG**  
Klingenbergstraße 16  
D-32758 Detmold  
Germany  
Fon: +49 5231 14-0  
Fax: +49 5231 14-292083  
www.weidmueller.com

### Technical data

#### Dimensions and weights

Width	170 mm	Width (inches)	6.693 inch
Height	130 mm	Height (inches)	5.118 inch
Depth	90 mm	Depth (inches)	3.543 inch
Mounting dimension - width	150 mm	Mounting dimension - height	110 mm
Weight	1,540 g	Net weight	1,406 g

#### Environmental Product Compliance

REACH SVHC Lead 7439-92-1

#### Cable glands, left

M12	4	M16	2
M20	1	M25	1
M32	1		

#### Cable glands, right

M12	4	M16	2
M20	1	M25	1
M32	1		

#### Cable glands, top/bottom

M12	11	M16	8
M20	4	M25	3
M32	2		

#### Certificate numbers enclosure

Certificate no. assembled enclosure (ATEX)	IBExU12ATEX1145 X	Certificate no. empty enclosure (ATEX)	IBExU12ATEX1144 U
Certificate no. assembled enclosure (IECEx)	IECEx IBE 13.0002X	Certificate no. empty enclosure (IECEx)	IECEx IBE 13.0001U
Certificate no., assembled enclosure (EAC)	RU C-DE.ГБ08.В.01328	Certificate no., empty enclosure (EAC)	RU C-DE.ГБ08.В.00472
Certificate No. (GERMLLOYD)	TAE00002SM	Certificate No. (MARITREG)	14.40040.250

#### General information

Areas of use	Explosive risk zone, Process industry, Transportation, Packaging industry, Marine engineering, Machine construction, Harbour facilities	Material thickness	4.6 mm
Material thickness of cover	3 mm	Material thickness of enclosure	4.6 mm
Standards	IEC 60079-0, IEC 60079-7, IEC 60079-31	Torque for lid screws	2.5 Nm
Material	Aluminium AISi12	Seal material	Silicone
Surface finish	untreated	Operating temperature, min.	-60 °C
Operating temperature, max.	135 °C	Impact resistance	7.00 J
Protection degree	IP66, IP67	Enclosure attachment	Holes 6 mm
Lid attachment	M5 torx stainless steel screws with slot	Integral fixing	Threaded holes M5

Creation date May 28, 2019 12:19:09 AM CEST

## Klippon K (aluminium empty enclosure) KLIPPON K5 EX

**Weidmüller Interface GmbH & Co. KG**  
Klingenbergstraße 16  
D-32758 Detmold  
Germany  
Fon: +49 5231 14-0  
Fax: +49 5231 14-292083  
www.weidmueller.com

## Technical data

### horizontal assembly

WDU 10 / ZDU 10	1x10	WDU 16 / ZDU 16	1x8
WDU 2,5 / ZDU 2,5 / IDU 2,5	1x20	WDU 4 / ZDU 4	1x16
WDU 6 / ZDU 6	1x12		

### vertical assembly

WDU 2,5 / ZDU 2,5 / IDU 2,5	*	WDU 4 / ZDU 4	*
-----------------------------	---	---------------	---

### Classifications

ETIM 3.0	EC000049	ETIM 4.0	EC002503
ETIM 5.0	EC002503	ETIM 6.0	EC002503
UNSPSC	31-26-15-02	eClass 5.1	27-18-05-02
eClass 6.2	27-18-05-02	eClass 7.1	27-18-05-02
eClass 8.1	27-18-05-02	eClass 9.0	27-18-05-02
eClass 9.1	27-18-05-02		

### Approvals

Approvals



ROHS Conform

### Downloads

Approval/Certificate/Document of Conformity	<a href="#">Attestation of Conformity - Klippon K Empty Enclosures - AoC DE PS2410 160308 001ISS01</a> <a href="#">EU Declaration of Conformity - Klippon K Empty Enclosures - DoC DE PS2410 160412 001ISS01</a>
Brochure/Catalogue	<a href="#">MB OVERV. PROCESS WD DE</a> <a href="#">MB KLIPPON ENCL.TECN EN</a> <a href="#">MB PROCESS EN</a> <a href="#">CAT 5 ENCL 17/18 EN</a> <a href="#">FL RAILWAY 2014 EN</a>
Engineering Data	<a href="#">EPLAN.WSCAD</a>
Engineering Data	<a href="#">STEP</a>
Tender specification	<a href="#">Klippon K5 Ex_9526930000_DE</a> <a href="#">Klippon K5 Ex_9526930000_EN</a>
User Documentation	<a href="#">MB KLIPPON ENCL.TECN DE</a> <a href="#">Assembly guidelines - empty enclosures</a>

**Klippon K (aluminium empty enclosure)  
KLIPPON K5 EX**

**Weidmüller Interface GmbH & Co. KG**  
 Klingenbergstraße 16  
 D-32758 Detmold  
 Germany  
 Fon: +49 5231 14-0  
 Fax: +49 5231 14-292083  
 www.weidmueller.com

**Drawings**

**Dimensioned drawing**

